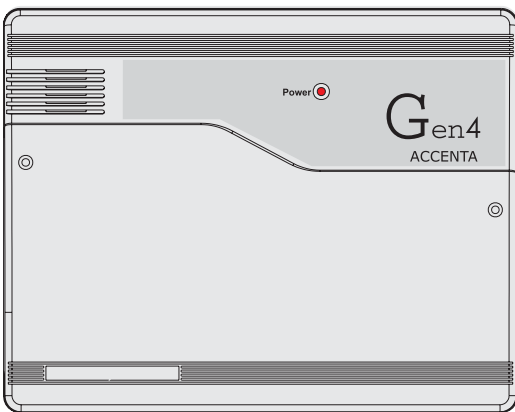


Accenta/Optima

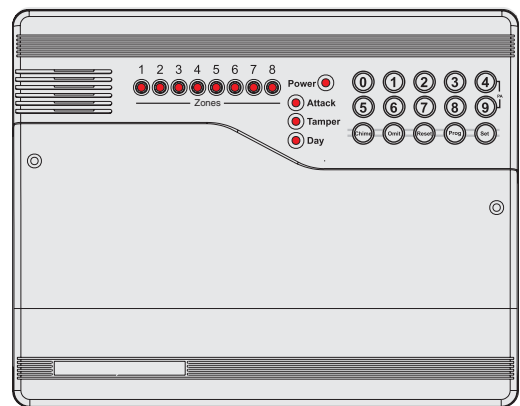
Engineer's Manual



8SP399A - Accenta mini panel with remote LCD keypad and communicator outputs.

OR

8SP400A - Accenta mini panel with remote LED keypad and communicator outputs



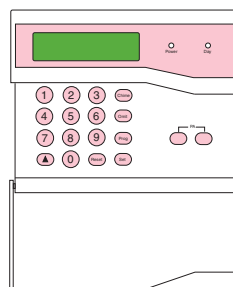
8EP396A Optima compact panel with built-in LED keypad



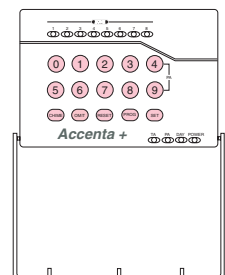
8SP419A - Accenta metal panel enclosure with remote LCD keypad and communicator outputs

OR

8SP420A - Accenta metal panel enclosure with remote LED keypad and communicator outputs



8EP417A - Accenta LCD keypad



8EP416 - Accenta LED keypad

Contents

Introduction.....	1
Features	1
Installation Design	2
Fixing the Control Panel	3
PCB	4
Wiring the System	4
Tamper Network	4
Connecting Remote Keypads.....	5
Fitting the Remote Keypad	6
Security Zones	6
Fire Zone	7
PA Circuit	8
Extension Speaker	8
External Siren (Bell Box) Output.....	9
13V Supply Output	10
Set	10
Remote Signalling Input and Outputs	11
Filtering of Intruder alarms	12
Factory Set Condition	13
Mains Connection	14
Testing the System	14
First Power Up.....	15
Engineer Program Mode	16
Indications on LED Keypads	16
System Indications	16
Entering/Exiting Engineer Program Mode	17
Defaulting Panel to Factory Settings	17
Defaulting User Code 1 and Engineer Code	17

Menu Options	18
0 = Walk Test	18
1 = Alarm Test	19
2 = Test Outputs	20
3 = Set Up System Flags	21
4 = Set Up Time and Date	24
6 = Set Up Zone Names	24
7 = Set Up Timers	25
8 = Set Up Codes	28
C = View Event Log	30
O = Omit Allow and Double Knock	31
P = Set Up Programs	34
Operating the System	42
Setting the System	42
Resetting After an Alarm, Tamper or PA	43
Unsetting the System	43
Faults	45
Specifications	46
Appendix 1 - Event Log Messages	47
Appendix 2 - Library	49
Servicing Organisation Details	51
Parts	51

Introduction

This manual provides information on Installation design, panel fixing, wiring, power up and programming of the intruder panels.

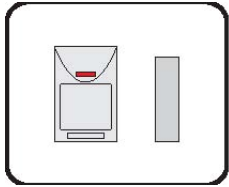
Features



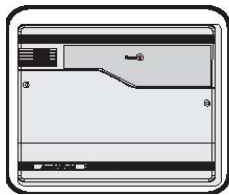
- 8 zones programmable for Security, 2 zones for Fire.
- PA input.
- Tamper input.
- Outputs for External Siren (Bell) and Strobe.
- 4 Access level Codes, User 1, User 2, Engineer and Duress, all programmable.
- 3 fully selectable part set programs.
- Chime on any security zone.
- 250 event memory (LCD Keypad), 8 event memory (LED keypad).
- Programmable timers including bell cut off.
- Walk Test facilities.
- Quick set feature.
- Supports up to four remote keypads with on board PA and illuminated keys positioned up to 100 meters from the panel.
- Keypads can be wired in a star or daisy chain configuration from the panel.
- Optima is supplied with a built in keypad.
- Support of Prox set and unset with Simple Set keypad.
- NVM for protection of engineer program and event log.
- 5 digital outputs for a wire-in digital communicator or dialler (Not applicable for Optima compact panel).
- Battery capacity of up to : 2.1 Ah in Accenta/Optima mini enclosure, 7Ah in Accenta/Optima metal enclosure.

Installation Design

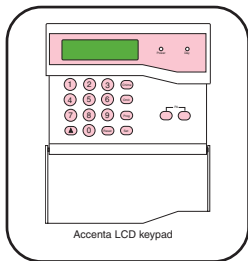
The purchase of this alarm system represents a major step forward in the protection of the property and its occupants. It is important to plan the installation before proceeding following the procedures and advice contained in this manual.



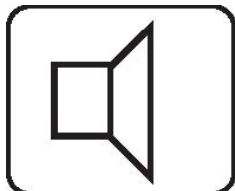
Plan the position of each part of the alarm system and the cable runs. **Detectors** should be sited with particular regard to the degree of coverage required.



All of the system wiring is connected directly to the **panel**. The Accenta panel may be concealed inside a cupboard or loft space, but it must be installed within the protected premises and in a position which is convenient for a mains supply. The Optima panel may be installed near an entry/exit point.



The **Remote Keypads (RKPs)** should be mounted in positions which allows ease of operation for the system users, typically within the entry/exit route close to the final door and the master bedroom.



Additional internal **sound speakers** are recommended, these will provide high volume alarm tones and low volume entry/exit tones. Speakers should be positioned to provide good sound distribution throughout the building and so that the exit tone is audible outside the main entry / exit door. This will enable the system operator to check that the system is setting correctly.



The **total current** output of this control system (in alarm condition) is 1A when supported by a fully charged battery. Calculate the total including the panel, remote keypads, external siren with strobe light (also called a bell box) and detectors to ensure that this rating is not exceeded.



Depending on which area you live, you may be required, by law to notify the **Local Authority** and Police of the new security alarm installation. The local authority requirements may differ from area to area, therefore, it is advisable to contact local environmental officer to obtain full details of your area requirements.

Fixing the Control Panel

CAUTION: When positioning the control panel make sure that it is located in a dry place away from damp areas.

NOTE: The Accenta mini enclosure is illustrated here, however the procedures for the other panels is similar.

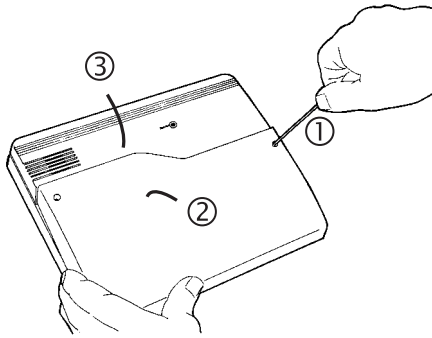


Figure 1. Removing the Front Cover

1. Remove the front cover(s) from the base assembly.

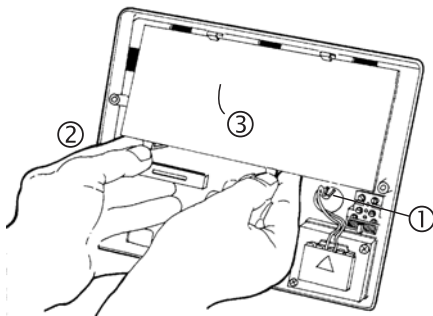


Figure 2. Removing the PCB

2. Disconnect the transformer wires from the board, these are marked AC. Carefully remove the board by gently pushing down the holding clips on the bottom edge of the board and withdraw it from the base.

NOTE: When replacing the board align it on the round support pillars to the bottom and allow it to click down past the clips at the top of the case. Refit the transformer wires into the terminal.

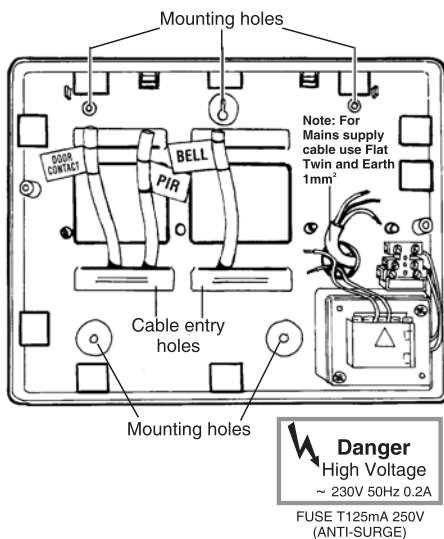


Figure 3. Fitting the Panel

3. Fit the panel to the wall with suitable fixings. Ensure the wall surface is flat to prevent base distortion. There are cable entry holes provided in the rear of the base and around the outside edges through the thinned out plastic sections which may be cut away as required.

NOTE: The hole provided adjacent to the mains transformer is a dedicated mains cable entry hole.

PCB

There are four fuses mounted on the circuit board, all are 20mm anti-surge.

- F1 1.6A - to protect the positive (+Ve) line of 12V battery
- F2 1A - to protect the Speaker 13V supply
- F3 1A - to protect the Siren (Bell) & Strobe supply
- F4 1A - to protect the RKP 13V supply

As supplied, wire links are fitted across the PA and Tamper terminals to represent a closed circuit.

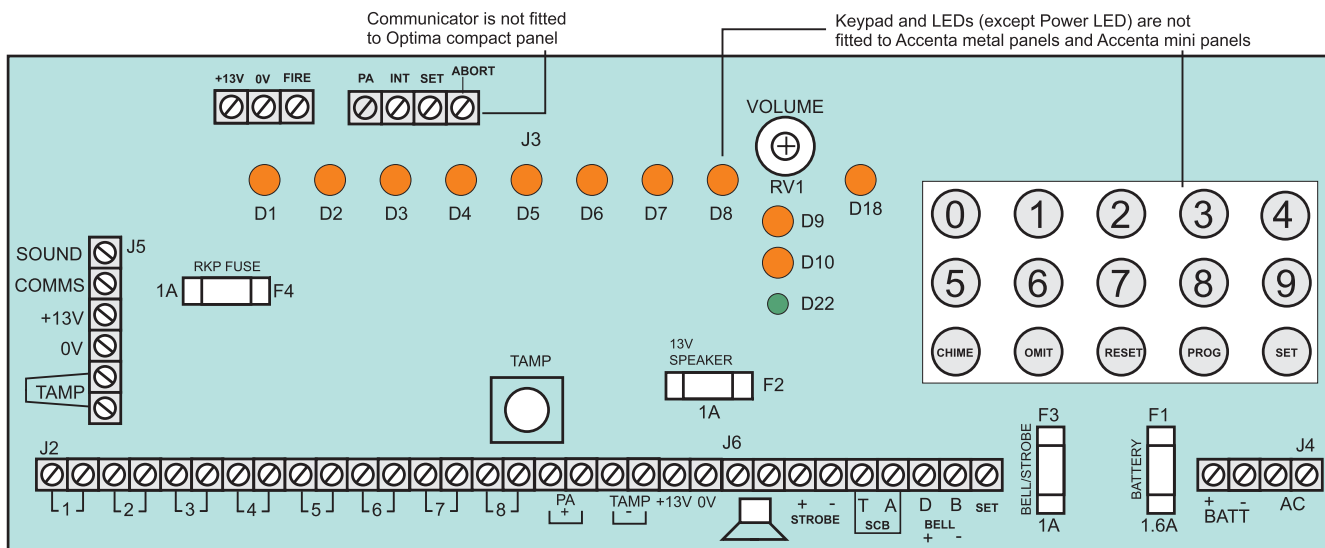


Figure 4. PCB

Wiring the System

CAUTION: Always power down the panel when wiring external circuits to prevent damage to the panel electronics.

Systematically wire and test each circuit:

- Zone, Tamper circuit and PA circuits
- Finish by wiring any additional extension speaker sounders, external siren (bell) / strobe and the 13V supply.

Tamper Network

The Tamper circuit is used to protect all cables and detectors in the system from unauthorised access including the panel and RKP covers.

The zone and PA tampers should be series wired and connected to the TAMP terminals. Terminals T and A are for the external siren tamper. The TAMP terminals at the bottom left of the board are for the RKP tampers.

Tamper alarms that occur in the Day mode operate internal sounders only. Tamper alarms in Set cause a full alarm condition. Tamper is indicated on the control panel and RKPs.

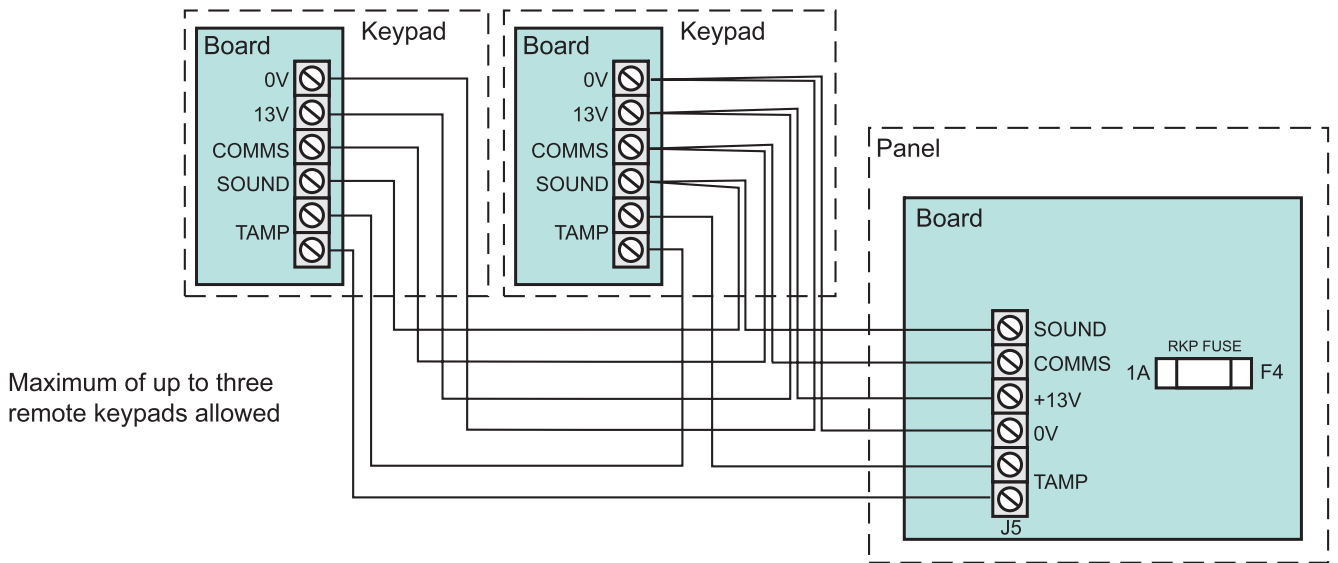


Figure 5. Connecting LED keypads to panel

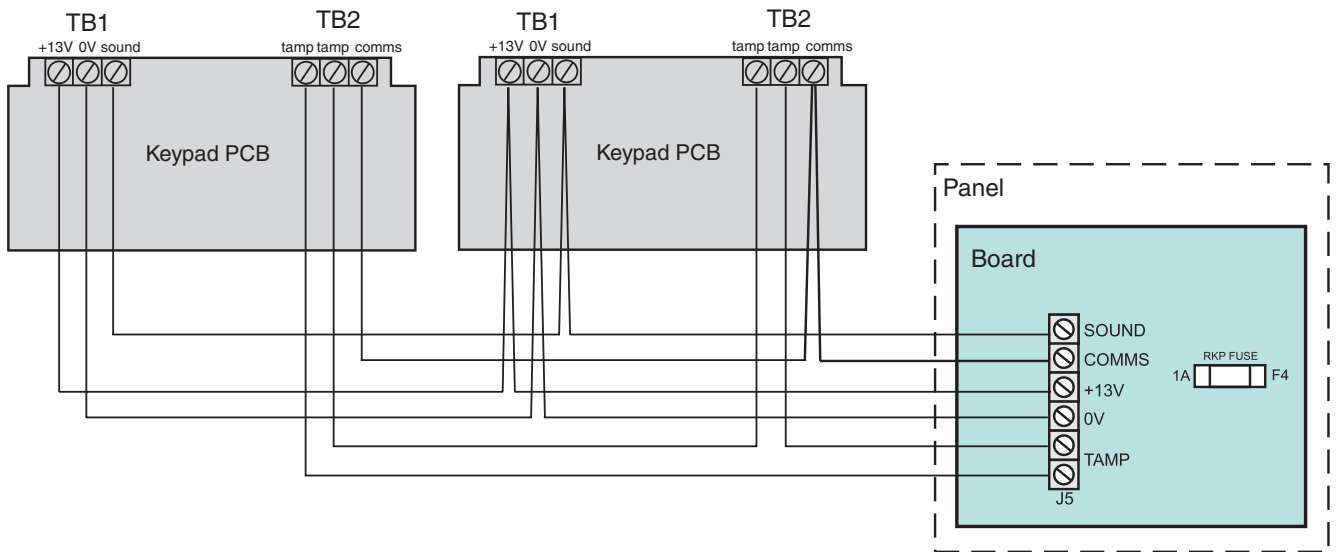


Figure 6. Connecting LCD keypads to panel

Connecting Remote Keypads

NOTE: Where an Accenta or Accenta mini panel is being installed, make sure there is at least one remote keypad wired to the panel before the first power up.

Up to four remote Accenta LCD or LED keypads can be connected to the panel. Wire the keypad(s) as per Figure 5 (LED keypad) or Figure 6 (LCD keypad).

NOTE: When the panel back-up battery is charging, the LCD keypad backlight may not operate.

Fitting the Remote Keypad

- 1 Separate the RKP baseplate from the main assembly by slackening the retaining screw.
- 2 Cut away the required thin wall sections around the edges of the baseplate for cable entry.
- 3 The baseplate mounting holes are 60 mm centres (LED keypad) or 75 mm (LCD keypad) which allow it to be fixed to a single gang electrical metal box. As an alternative, the baseplate may be fitted directly to the wall using screws and wall plugs. If these are not appropriate for the wall then use suitable alternative fixings.

CAUTION: The PCB board must not be removed from the front moulding and doing so may invalidate the warranty.

- 4 Bring the cables into the baseplate and wire to the terminal block on the baseplate.
- 5 Refit the RKP main assembly to the baseplate by locating the top retaining clips into the inside top part of the baseplate. Close the main assembly onto the baseplate, ensuring that the wiring does not foul the tamper switch/spring or the PCB support pillars. Resecure the screw in the bottom of the case.

Security Zones

It is recommended that no more than 10 magnetic contacts are connected to the same zone and that the combined cable length for each zone does not exceed 100 metres.

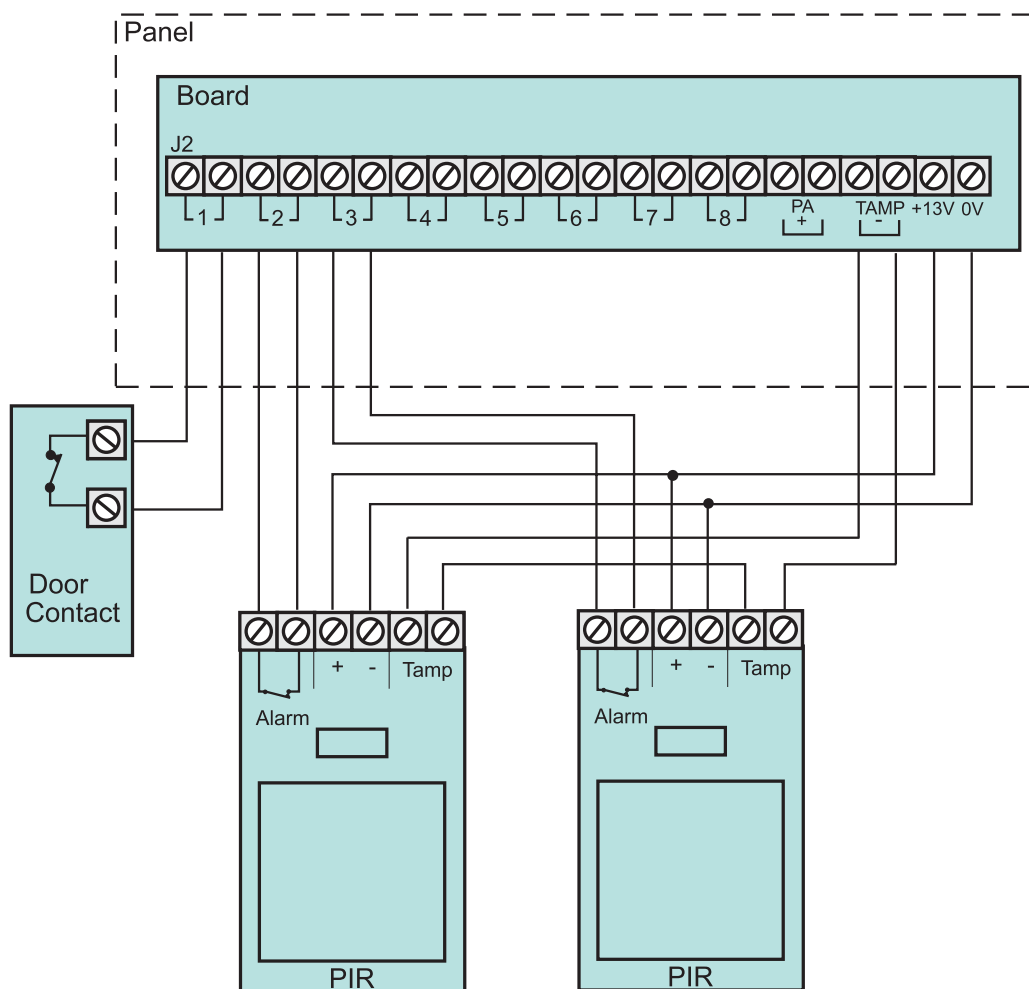


Figure 7. Security Zone Wiring

Fire Zone

Zones 7 and 8 may be programmed as fire zones. This will automatically exclude the availability of the zone from programs and normal security applications.

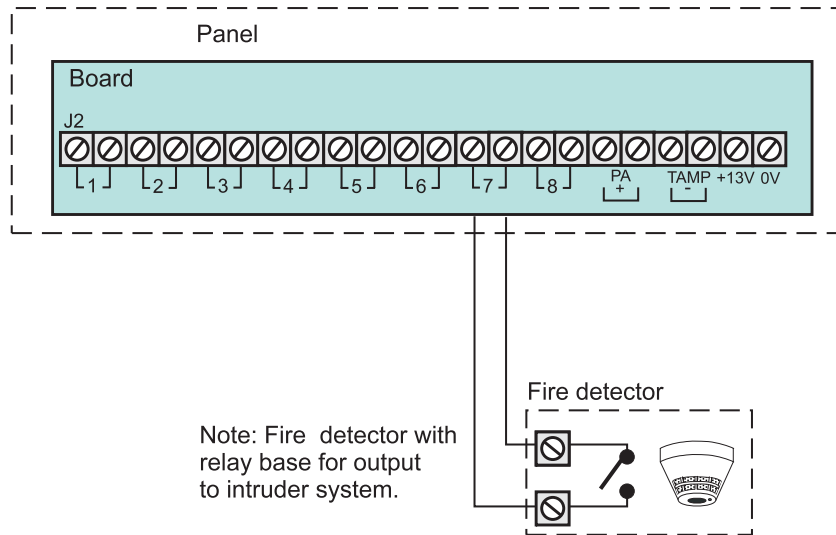


Figure 8. Fire Zones

The fire zone detects fires all the time and will operate whether the system is Set or Unset. A fire will cause a distinctive internal sounder tone. The external sounders will pulse on and off at 2 second intervals and all RKP indicators will flash the affected zone.

PA Circuit

It is recommended that no more than 10 normally closed type personal attack button may be wired in series and then connected to the PA circuit.

Operational in Unset and Set, the PA circuit will cause a full alarm condition when activated. PA is indicated on the control panel or RKP.

PA buttons may be fitted near the front door or in a bedroom.

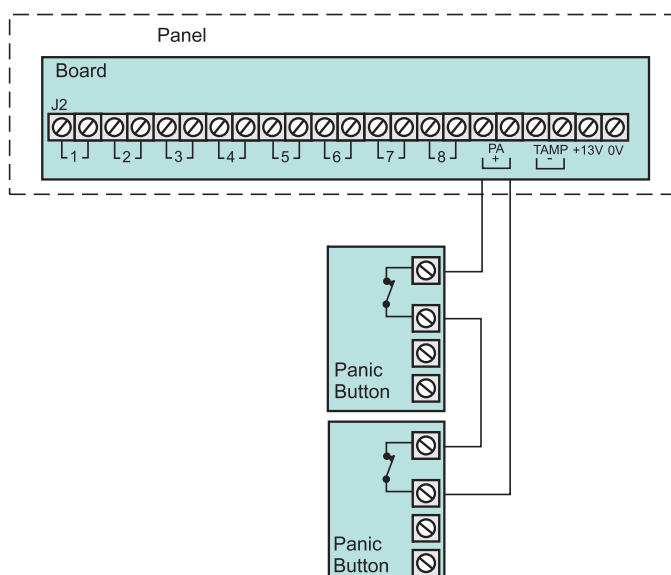


Figure 9. PA Circuit

Extension Speaker

Extension speakers may be connected to the loudspeaker terminals to produce high volume alarm tones and low volume entry / exit / fault tones.

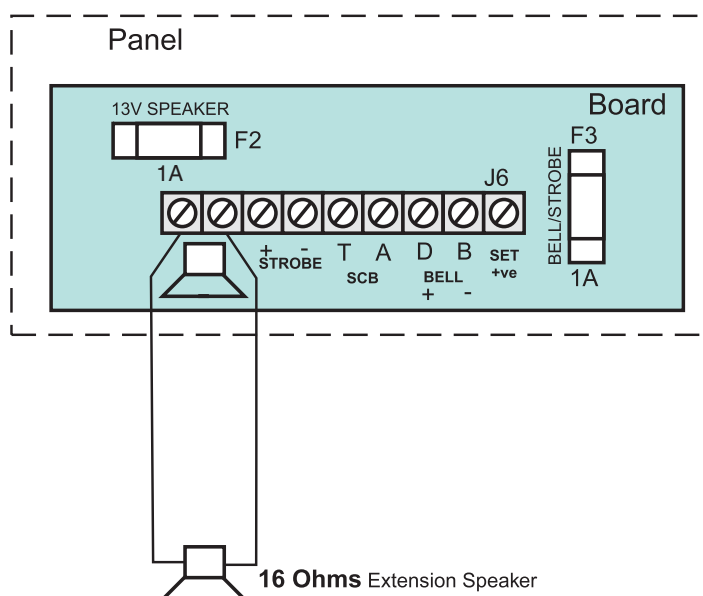


Figure 10. Extension Speaker Wiring

Up to two 16 ohm extension speakers may be wired across the speaker terminals. Mounted in convenient positions within the installation the extension speakers will reproduce all of the alarm tones generated by the control panel.

A control marked VOLUME may be used to adjust the low volume entry/exit tones to suit environmental conditions.

External Siren (Bell Box) Output

The external siren (bell box) is usually installed in a high position from where the siren could be seen and heard.

Terminal TADB are for connection to the external siren. These terminals provide a power/hold-off supply, sounder trigger and tamper circuit to protect the external siren housing.

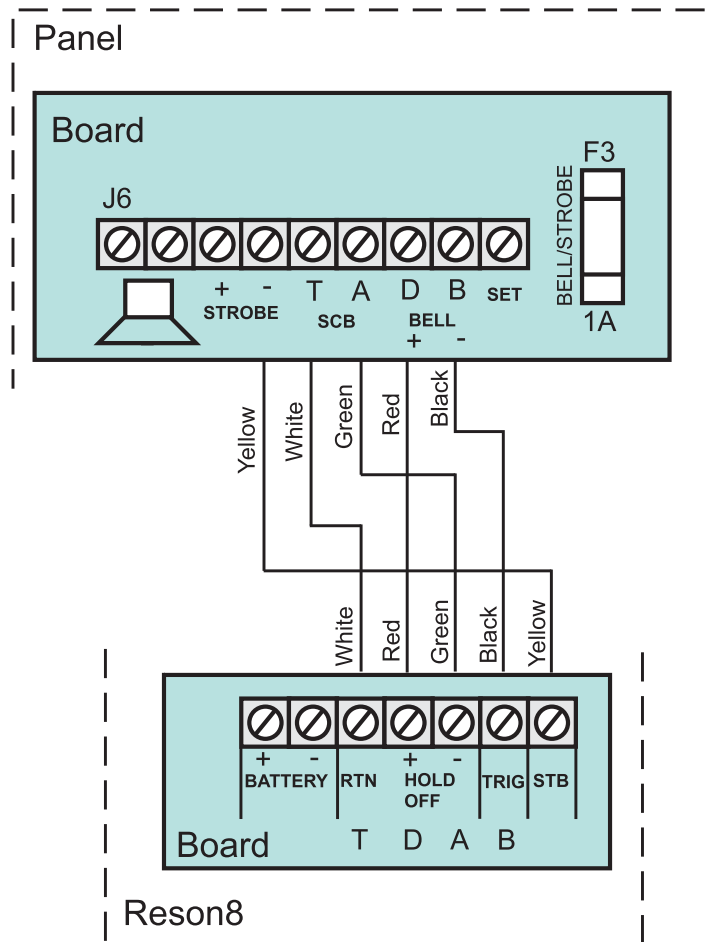


Figure 11. External Bell-box Wiring

The terminals are summarised as follows:

- T = Negative (-Ve) tamper return
- A = Negative (-Ve) supply (0V)
- D = Positive (+Ve) supply (12V)
- B = Negative (-Ve) Sounder trigger

For ease of installation, the Optima/Accenta control panels and Reson8 external sirens and modules use the same markings.

Where a discrete external siren is used, it should be connected to terminals D and B. Terminals T and A are then used for tamper protection for the housing.

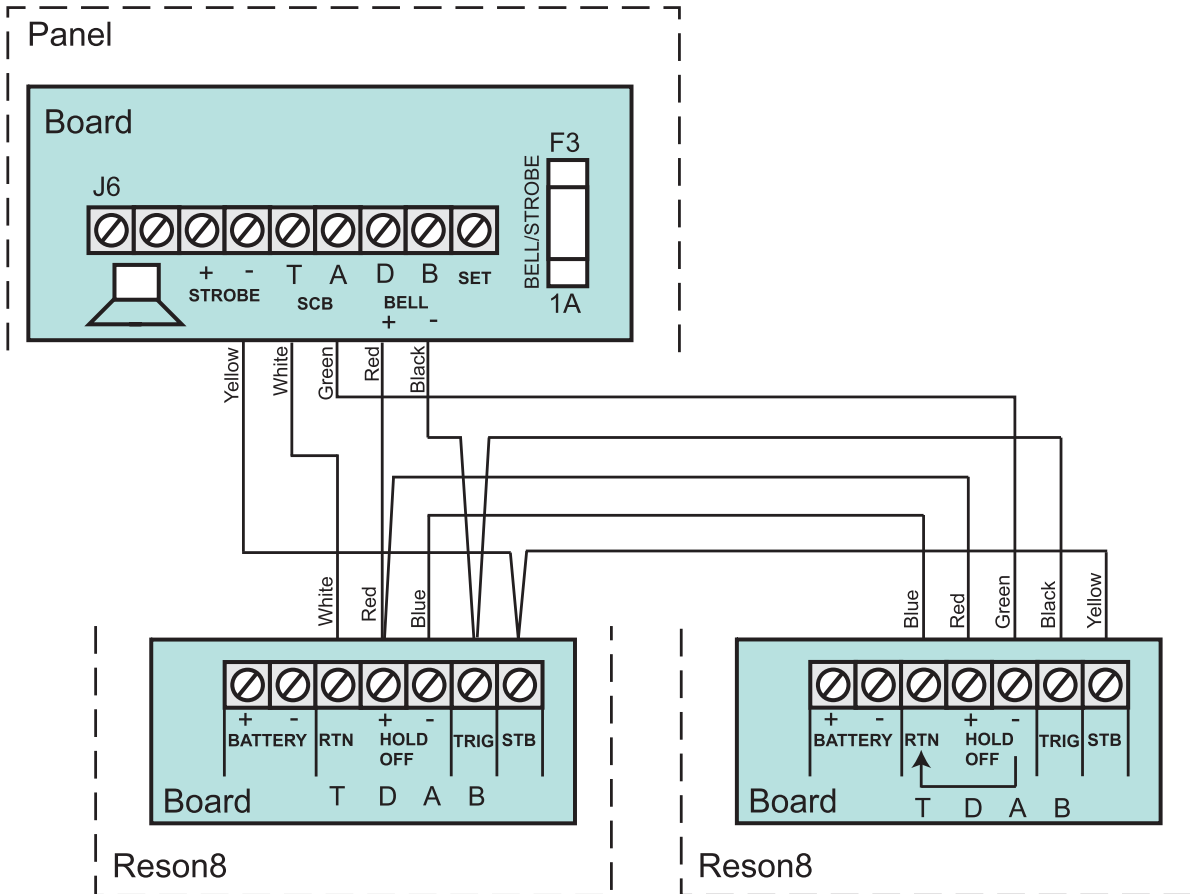


Figure 12. Twin External Bell-box Wiring

13V Supply Output

The 13V output is to power detectors which require a voltage supply (PIR detectors etc). The supply is present at all times and may be used to supply a total load of 350mA.

Set

The output marked SET is used with latching detectors. The output becomes positive on correct Set of the system and is removed by entry of a valid user code.

Remote Signalling Input and Outputs

NOTE: These outputs are not applicable to the Optima compact panel.

These terminals have been provided for connection to remote signalling equipment such as a digital communicator, or speech dialler.

13V 0V: These terminals provide a 13V supply for the communicator up to a total load of 200mA.

OUTPUTS (J3): These outputs are programmed as active low output. They are held at 13V and fall to 0V when active, it can source or sink 10mA.

These outputs would normally be connected directly to the input channels of wire in type communicators. Alternatively each output can be used to drive a relay (coil resistance > 1200 Ohms) connected between the output terminal and the 13V supply terminal. The relay will energise when the output port operates. It is recommended that a back EMF protection diode is used in parallel with the relay coil.

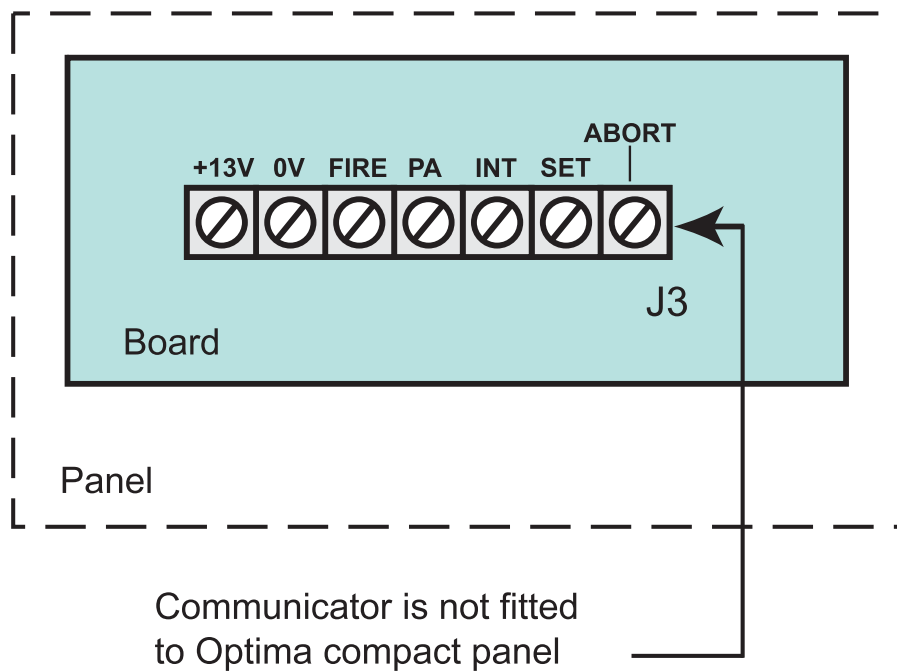


Figure 13. Panel communicator

FIRE: The fire output operates when the fire zone is triggered.

PA: The PA output operates when a PA alarm is triggered or a duress code is used.

INT: The intruder output is operated when an intruder condition is triggered whilst the system is set.

SET: The Set output operates whenever the system becomes set and is used to indicate opening and closing.

ABORT: Operates if the panel is unset within 90 seconds of the alarm condition starting. It is cleared when the panel is reset by the user or engineer.

Important Notes

1. Each output has been configured as active low.
2. Where the communicator is powered from an external source, not the panel and the outputs are being used without relays, the panel and external power supply will require a common negative supply rail.
3. If the communicator is not fitted inside the panel and abort is being used, care should be taken to ensure that the abort connection cannot be damaged or severed as this could cause the ARC to incorrectly filter an alarm signal.
4. It is very important that communicating systems are fully tested and that all signals are correctly received at the ARC when the system is installed and serviced.

Filtering of Intruder alarms

The exact method of filtering should be decided according to the security services / keyholder requirements and ARC procedures.

In general, the panels offer the following methods that could be used to filter an alarm.

Set/Unset A Set or Unset signal which is received by the ARC at around the same time as an intruder signal can be used to filter the alarm.

Abort Output The abort output operates whenever a user code is entered to switch off an intruder alarm condition. When an abort signal is received by ARC at or around the same time as an intruder signal, the alarm can be filtered.

Restore of the Intruder Output The intruder alarm output is restored to 12V whenever a user code is entered to switch off an intruder alarm condition. Where an intruder alarm is shortly followed by a restore at the ARC, this can be used to filter the alarm.

Factory Set Condition

User code1	0123
User code2	Not programmed
Duress Code	Not programmed
Engineer Code	9999
External siren <i>Bell</i> Duration	15 minutes
External siren <i>Bell</i> Delay	No delay
Rearm Count	3 Rearms

Program 1

Zone 1	Timed
Zone 2	Timed inhibit
Zone 3 - 8	Immediate
Exit time	30 seconds
Entry time	30 seconds
Exit mode	Timed

Program 2

Zone 1	Timed
Zone 2	Timed inhibit
Zone 3 - 8	Immediate
Exit time	30 seconds
Entry time	30 seconds
Exit mode	Disabled

Program 3

Zone 1	Timed
Zone 2	Timed inhibit
Zone 3 - 8	Immediate
Exit time	30 seconds
Entry time	30 seconds
Exit mode	Disabled

Zones

Security zones	Zones 1 - 8
Standard Fire zones	None programmed
Double Knock zones	None programmed

Omit prevent zones All programmed

Flag 1

Silent PA	No
RKP PA Enable	Yes
Engineer Reset	No
User reset PA	No
User Reset Fire	No
Bell in Fire	No
Enable Zone 7 as Fire	No
Enable Zone 8 as Fire	No

NOTE: Zone debounce period is 400 ms

Flag 2

Single Key setting	No
Strobe on setting	No

Flag 3

Accenta Optima Version X.XX

NOTE: X.XX indicates panel version eg 1.00

Refer to page 17, **Defaulting Panel to Factory Settings** for the method of defaulting the panel.

Mains Connection

The mains power should be connected using 3-core cable of not less than 1 mm sq. from a fused spur to the mains connector inside the control panel. The 2 A fused spur must be located close to the control panel.

NOTE: The mains supply must be connected by a technically competent person and according to current IEE regulations.

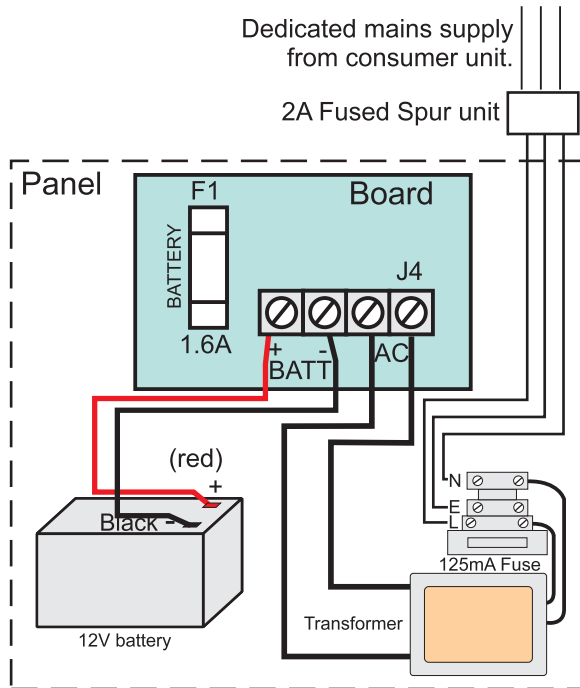


Figure 14. Mains Connection

CAUTION: To avoid the risk of electrical shock you must always totally isolate the mains supply before opening the control panel cover(s).

Mains Input fuse rating: 125 mA, 250 V type T (anti-surge) and of a type approved to IEC 127 part 2 sheet III.

On connecting the mains supply to the panel the power indicator is lit.



Testing the System

Complete the wiring of the system and then:

- Fully test the system and ensure it is fault free.
- Fully program the system.
- Fill in the installation log at the back of the manual and retain it for future reference.
- Finally explain the operation of the system to the end user. The **User Guide** is attached to the centre of this manual. Detach the **User Guide** and leave it with the **user**.

First Power Up

NOTE: For Optima compact, fit the top cover on to the base and connect the speaker wires.

- 1 Check that the factory fitted links are connected to terminals PA, TAMP and T-A.
- 2 Fit the battery wires to the battery terminals (BATT).

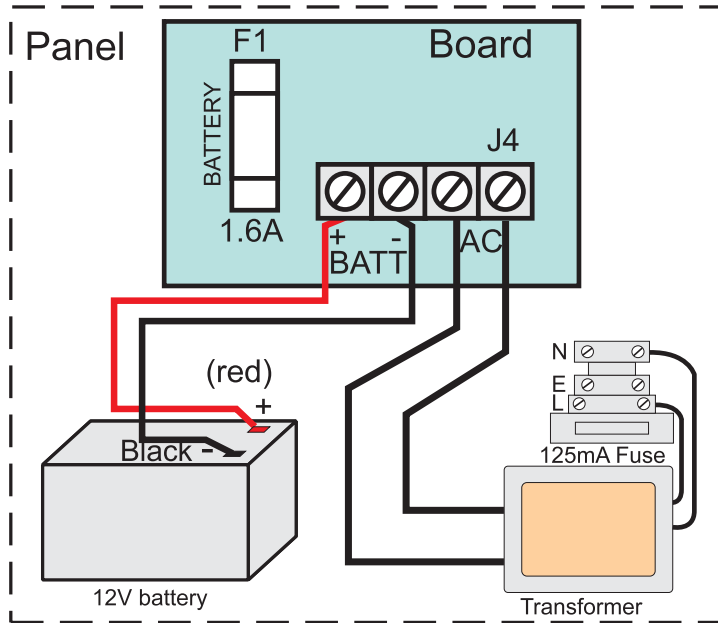


Figure 15. Battery Connection

- 3 On connecting the battery, the system will go into an alarm condition with an audible alarm indication. After entry of a valid user code, there is a Tamper indication.
- 4 Fit the cover to hold down the tamper spring at the bottom centre of the board.

LCD INDICATIONS

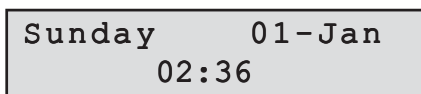


LED INDICATIONS



- 5 Enter the user code, press [0][1][2][3] factory set code. The alarm condition will cease and the system will go into day mode:

NOTE: The LCD keypad will show **SYSTEM UNSET** for 30 seconds first.



- 6 Immediately enter the engineer code by pressing [PROG][9][9][9][9]
- 7 The system is now in *Engineer program mode* and can be programmed.



Engineer Program Mode

The panel may be programmed to suit a wide variety of installations.

Once the *Engineer program mode* has been accessed, each configuration may be changed in any order.

Before entering *Engineer program mode* the system should be in the Day mode, with the Day and Power indicators lit.

Indications on LED Keypads

LED Indications	
LED steady on indication	
LED flashing indication	
LED off	
Output to Alarm Receiving Centre Communicator outputs are not applicable for Optima compact panel	
Internal Sound. In general a flat beep is an indication of an incorrect key press	
External Device: Strobe	
External Device: Siren	

Table 1. LED Indications

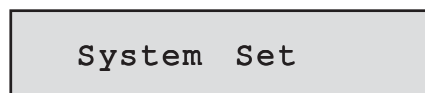
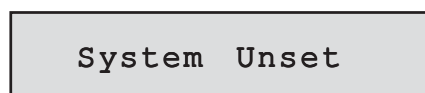
To exit operation



- Quit the current function
- Leave program menu
- Return one menu level

System Indications

LCD Indications



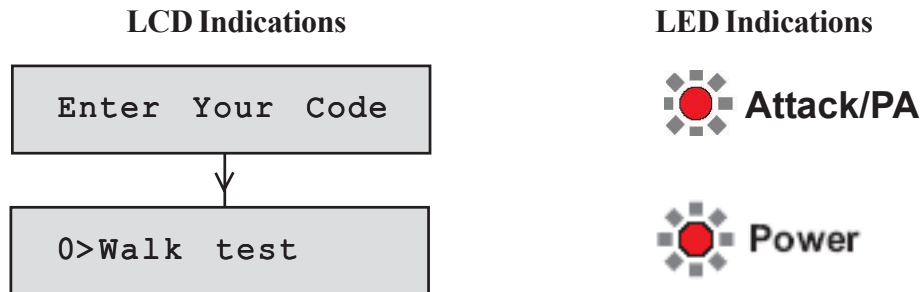
LED Indications



Entering/Exiting Engineer Program Mode

NOTE: The factory configured engineer's access code is 9999. If however this code is changed then enter the appropriate code.

Press 



To exit *Engineer program mode* press 

Defaulting Panel to Factory Settings

CAUTION: All configurations of the panel are reset to factory default conditions.

To default to factory settings:

1. Power down panel.
2. Remove wiring from SET output and PA input.
3. Fit shorting wire between SET and left-hand PA terminal.
4. Power up.
5. Wait for alarm to start.
6. Power down panel and then restore original wiring.

Defaulting User Code 1 and Engineer Code

1. Power down panel.
2. Remove wiring from SET output and TAMP input (next to PA).
3. Fit shorting wire between SET and left-hand TAMP terminal.
4. Power up.
5. Wait for alarm to start.
6. Power down panel and then restore original wiring.

Menu Options

The full menu structure for the panel can only be accessed while in *Engineer program mode*. The structure is shown in the following table:

MENU OPTIONS	
0 = Walk Test	7 = Timers
1 = Alarm Test	8 = Codes
2 = Test Outputs	C = View Event Log
3 = System Flags	O = Omit Allow & Double Knock
4 = Time and Date	P = Set up Programs
6 = Zone Names	

Table 2. Menu Options

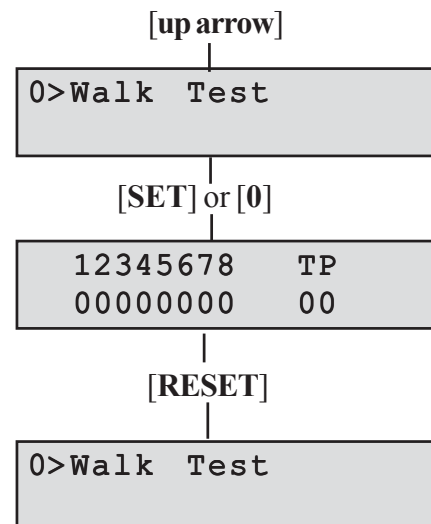
Enter *Engineer program mode*. Press **[PROG] [9] [9] [9] [9]**.

0 = Walk Test

The walk test function allows each detector to be checked in order to verify that they are functioning correctly. A tone is generated as each zone is activated (opened).

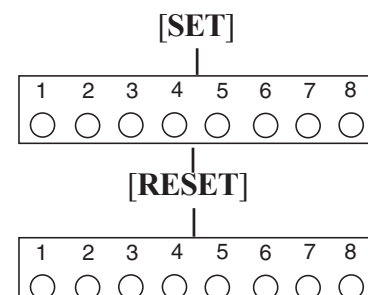
LCD keypad

- Press **[up arrow]** for menu **Walk Test**.
- Press **[SET]** or **[0]**. Zones 1-8 have a zero (0) below each number.
- When a zone is successfully tested, number 1 replaces the 0. Zones are added to list as each one is activated.
- Press **[RESET]** to leave the menu or **[SET]** to restart the Walk Test.



LED keypad

- Press **[0]** for menu **Walk Test**.
- Press **[SET]**. Zones 1-8 are off.
- When a zone is successfully tested, the LED is on. Zones are added to list as each one is activated.
- The Tamper LED comes on when tested.
- Press **[RESET]** to leave the menu or **[SET]** to restart the Walk Test.



1 = Alarm Test

This function tests the alarm function of the Bell, Strobe or Sounder. Pressing the appropriate button [1-3] toggles the function ON or OFF. Using the [up arrow] also selects the appropriate alarm function.

Pressing the [0] button turns all alarm outputs to OFF.

Pressing the [SET] button toggles the selected alarm output.

Pressing the [RESET] button turns off all outputs and leaves the function.

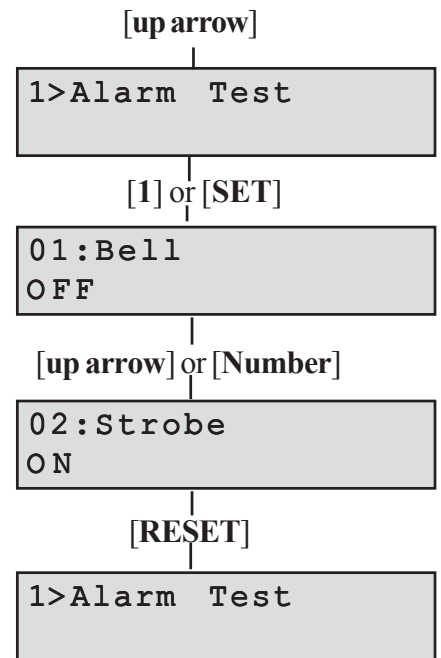
The outputs are:

1 = Bell, 2 = Strobe, 3 = Sounder

NOTE: To test the Low volume sounder enable option 3 only. To test for a high volume sounder enable both options 2 and 3 together.

LCD Keypad:

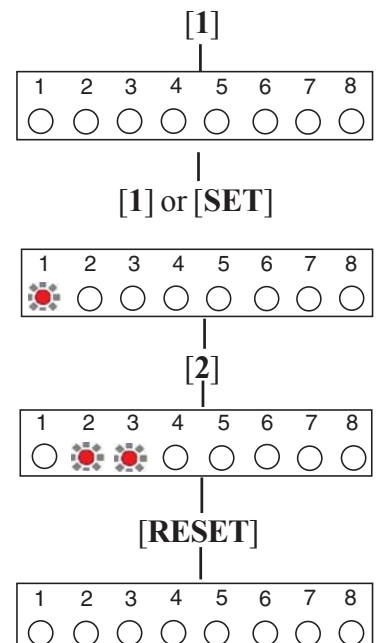
- Press [up arrow] for menu **Alarm Test**.
- Press [1] or [SET] to enter into first function ON or OFF.
- Press the [up arrow] or number [2] or [3] for the other functions.
- Press [RESET] to leave the menu.



LED keypad

The LED is lit when ON.

- Press [1] for menu **Alarm Test**.
- Press [1] or [SET] to toggle first function ON or OFF.
- Press number [2] and [3] for the other functions.
- Press [RESET] to leave the menu.



2 = Test Outputs

NOTE: These tests are not applicable to Optima compact panels.

This function tests all the outputs on the system.

The outputs are: **1 = Fire, 2 = PA, 3 = Intruder, 4 = Set, 5 = Abort.**

Pressing the **[0]** button turns all outputs to OFF.

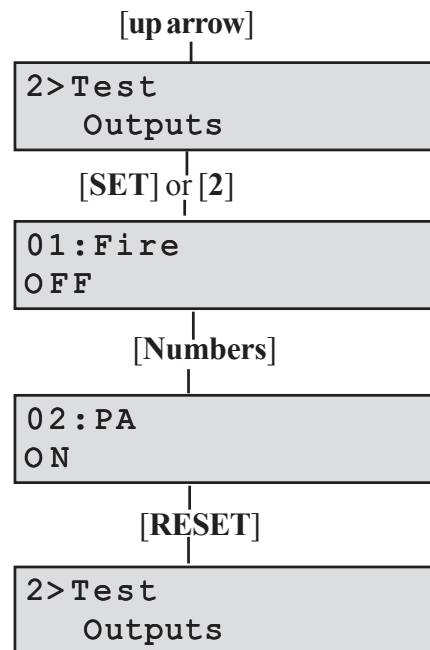
Pressing the **[SET]** button toggles the selected alarm output.

Pressing the appropriate button **[1-5]** toggles the function ON or OFF.

Pressing the **[RESET]** button turns off all outputs and leaves the function.

LCD keypad:

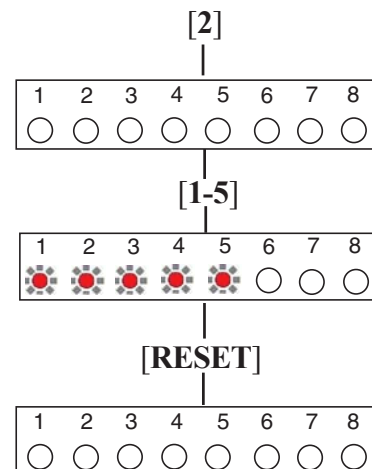
- Press **[up arrow]** for menu **Test Outputs**.
- Press **[SET]** or **[2]**. The first output is displayed.
- Press **[Numbers]** to display and toggle other outputs ON/OFF.
- Press **[RESET]** to leave the menu.



LED keypad:

The LED is lit when the output is ON.

- Press **[2]** for menu **Test Outputs**.
- Press **[1-5]** to display and toggle other outputs ON/OFF.
- Press **[RESET]** to leave the menu.

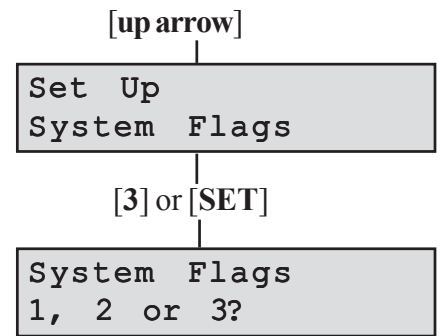


3 = Set Up System Flags

The System Flags are divided into Flags 1, 2 or 3.

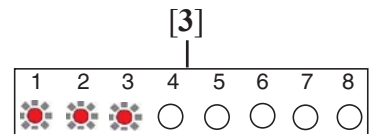
LCD Keypad:

- Press [**up arrow**] to display menu **Set Up System Flags**.
- Press [**3**] or [**SET**] to display the next screen.



LED Keypad:

- Press [**3**]. LED's 1, 2 and 3 are ON.

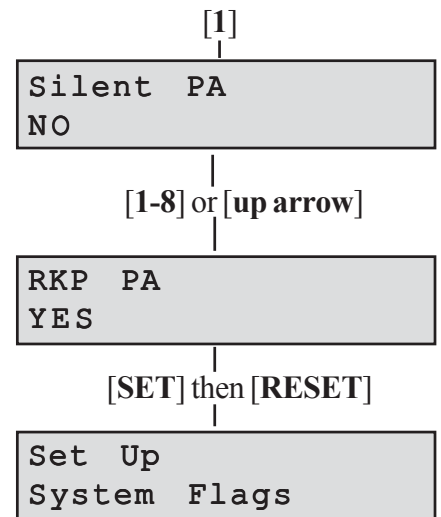


Flag 1

NOTE: Pressing the [**9**] button sets all flags ON. Pressing the [**0**] button sets all flags OFF. Pressing the [**RESET**] button leaves the function.

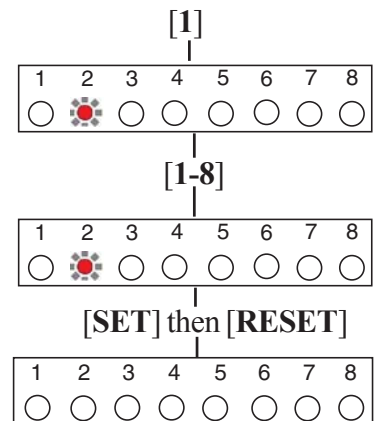
LCD Keypad:

- Press [**1**] to display first option of System Flag 1. Press [**1**] to toggle flag ON or OFF.
- Press [**1-8**] or [**up arrow**] to go to another option under Flag 1.
- Press [**SET**] to save change then [**RESET**] to leave menu or Press [**RESET**] twice to leave menu.



LED Keypad:

- Press [**1**] to show status of first option of System Flag 1. Press [**1**] or [**PROG**] to toggle flag ON or OFF.
- Press [**1-8**] to go to another option of Flag 1.
- Press [**SET**] to save change then [**RESET**] to leave menu or Press [**RESET**] twice to leave menu.



Flag 1 - Options

There are eight options under Flag1 which are described below:

1 = Silent PA

When this flag is set to ON, operating PA will cause a silent PA alarm. Pressing the [1] button toggles the flag ON or OFF.

2 = RKP PA

When this flag is set to ON, the keypad PA buttons are enabled. Pressing the [2] button toggles the flag ON or OFF.

3 = Engineer Reset

When this flag is set to ON, an engineer code must be entered to reset the system after Tamper, PA or Fire alarm. When the flag is set to OFF the system can be reset by the user. Pressing the [3] button toggles the flag ON or OFF.

4 = PA User Reset

When this flag is set to ON, it permits the user to reset the system after a PA alarm, by pressing the [RESET] button. The user can reset the system even if the **Engineer Reset** flag is set to ON. Pressing the [4] button toggles the flag ON or OFF.

5 = Fire User Reset

When this flag is set to ON, it permits the user to reset the system after a Fire alarm by pressing the [RESET] button. The user can reset the system even if the **Engineer Reset** flag is set to ON. Pressing the [5] button toggles the flag ON or OFF.

6 = Bells in Fire

When this flag is set to ON, the external siren *Bell box* will sound two seconds On/two second Off during the fire alarm. Pressing the [6] button toggles the flag ON or OFF.

7 = Zone 7 Fire

When this flag is set to ON it permits zone 7 to be used as a Fire zone. Pressing the [7] button toggles the flag ON or OFF.

8 = Zone 8 Fire

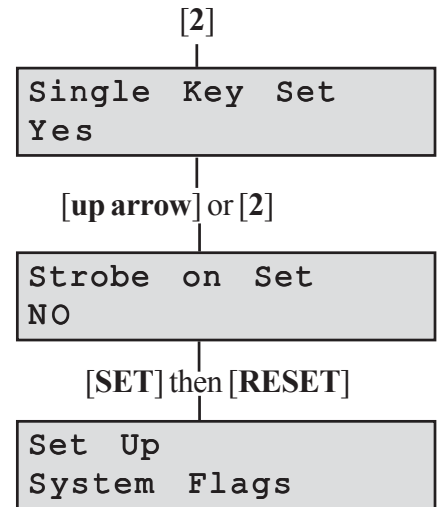
When this flag is set to ON it permits zone 8 to be used as a Fire zone. Pressing the [8] button toggles the flag ON or OFF.

Flag 2

NOTE: Pressing the [9] button sets all flags ON. Pressing the [0] button sets all flags OFF. Pressing the [RESET] button leaves the function.

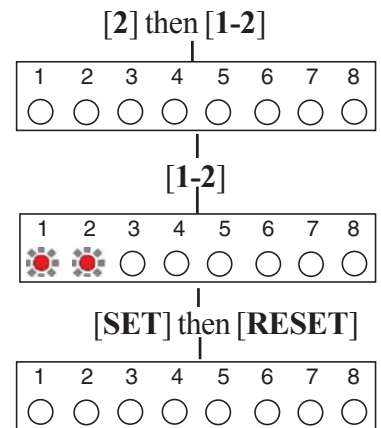
LCD Keypad:

- Press [2] to select System Flag 2. Press [1-2] or [SET] to toggle flag on or off.
- Press [up arrow] or [2] to go to second option of Flag 2.
- Press [SET] to save changes and then [RESET] to leave menu or press [RESET] twice to leave the menu.



LED Keypad:

- Press [2] to select of System Flag 2. Press [1-2] to toggle flag ON or OFF.
- Press [1] and [2] to enable the first and second option of Flag 2.
- Press [SET] to save changes and then [RESET] to leave menu or press [RESET] twice to leave the menu.



Flag 2 - Options

Single Key Set

When this flag is set to ON, it allows the panel to be set by pressing the [SET] button. A code entry is not required. However, a 4-digit code is required to Unset the panel. Pressing the [1] button toggles the flag ON or OFF.

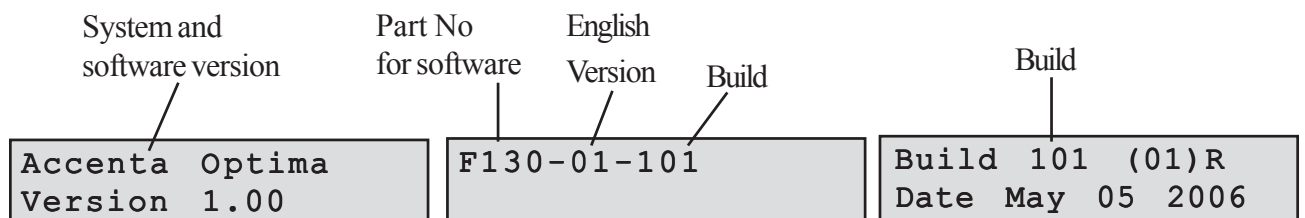
Strobe on Set

When this flag is set to ON, the external strobe will stay on for five seconds once the panel has set. Pressing the [2] button toggles the flag ON or OFF.

Flag 3

Flag 3 shows the Software Version of the panel and may be requested when contacting technical support. Use the up arrow to scroll through the screens.

LCD keypad only: Example information you may see:



4 = Set Up Time and Date

LCD Keypad:

This option allows the **Time** or **Date** to be modified. Pushing button [4] selects the option and the first screen appears as typically below:

The **Time** can be modified in hours, minutes and seconds in the format HH:MM:SS. The number keys on the keypad 0-9 are used for this function. As each digit is modified the cursor moves to the next one. When the time is correct press the [SET] button to accept the change and move to the next screen. To cancel the change press the [RESET] button.

```
Time and Date
Time?  13:46:17
```

The **Date** can be changed in day , month, year format DD-MM-YY. The number keys on the keypad 0-9 are used for this function. As each digit is modified the cursor moves to the next one. When the date is correct press the [SET] button to accept the change. To cancel the change press the [RESET] button.

```
Time and Date
Date?  17-05-06
```

LED Keypad:

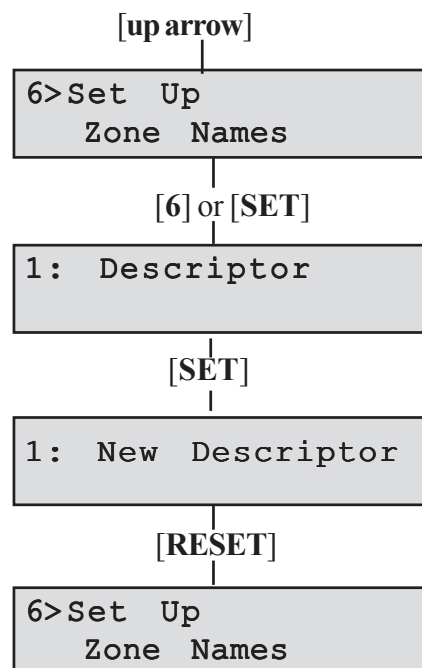
If required, the time and date can be entered as per the procedure for the LCD keypad. However no information will be indicated on the LED keypad. The only indication on the LED keypad that you are in menu 4 **Set up Time and Date** is that LED's 1 to 6 on the LED Keypad will be ON.

6 = Set Up Zone Names

This option allows each of the eight zones to be given a name from the library (**Appendix 2**).

LCD Keypad:

- Press [up arrow] or to go to menu **Set Up Zone Names**.
- Press [6] or [SET] to go to zone 1 descriptor.
- Press [SET] to scroll through the library to the desired descriptor.
- Press the [up arrow] to go to the next zone.
- To assign additional zone descriptors repeat the above procedure.
- Press [RESET] to save programming and leave the function.



LED Keypad:

The LED keypad cannot program zone names.

NOTE: The [up arrow] is not available on the LED keypad.

7 = Set Up Timers

This option allows the **Bell Time**, **Bell Delay** and **Rearm Count** to be changed.

NOTE: The [OMIT] key takes you back to the first digit.

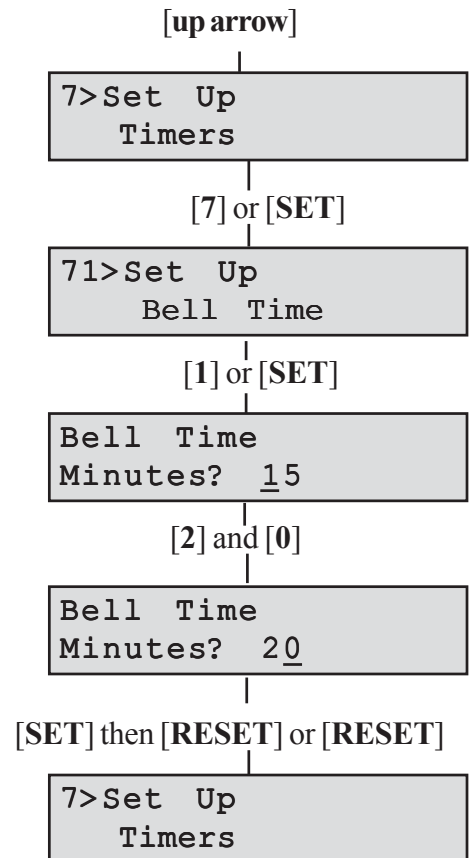
71 = Set Up Bell Time

This is the duration that the external bell output is active. The range is 01-99 minutes. The default is 15 minutes.

LCD keypad:

To change the **Bell Time** from 15 to 20 minutes:

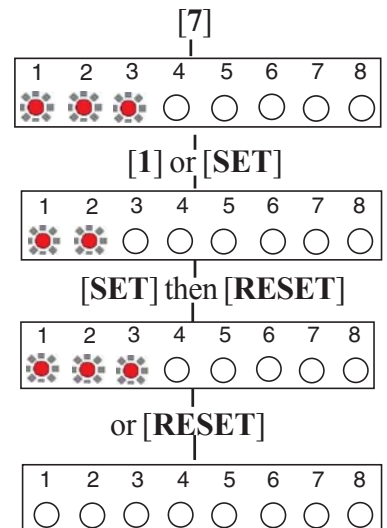
- Press [up arrow] for menu **Set Up Timers**.
- Press [7] or [SET] for option **71 Set up Bell Time**.
- Press [1] or [SET]. The **Bell Time** in minutes is displayed.
- The cursor is under the first digit. Select [2].
- The cursor moves to the second digit. Select [0].
- To accept the change press [SET] then [RESET] **OR** to cancel the change press the [RESET] button twice.



LED keypad:

To change the **Bell Time** from 15 to 20 minutes:

- Press [7] or [SET] for option **71 Set up Bell Time**.
- Press [1] or [SET] for Bell Time in minutes. LED's 1 and 2 are on.
- Select [2] then [0]. LED's 1 and 2 are on.
- To accept the change press [SET] then [RESET]. LED's 1, 2 and 3 are on.
- **OR** to cancel the change press the [RESET] button twice.



72 = Set Up Bell Delay

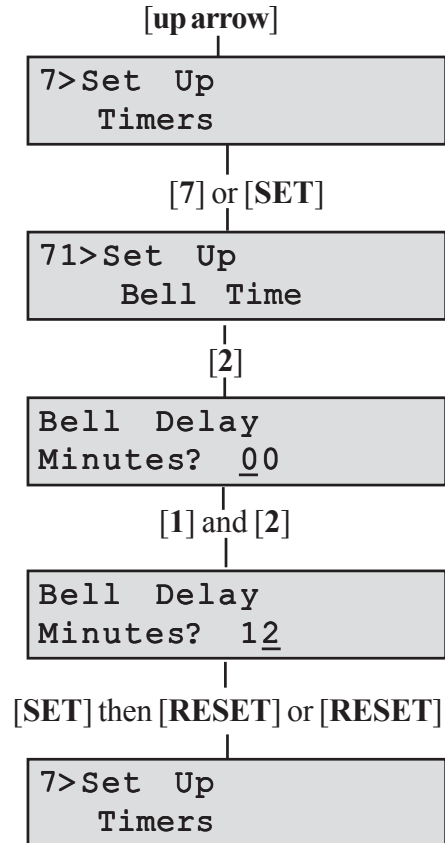
This delays the activation of the Bell for the required time. The range is 00-99 minutes. The default is 00 minutes.

NOTE: The **Bell Delay** delays the bell for one rearm period only. After rearm all alarms are immediate.

LCD keypad:

To change the **Bell Delay** time from 00 to 12 minutes:

- Press [up arrow] for menu **Set Up Timers**.
- Press [7] or [SET]. Option 1 **Set up Bell Time** appears.
- Press [2]. The **Bell Delay** time in minutes is displayed.
- The cursor is under the first digit. Select [1].
- The cursor moves to the second digit. Select [2].
- To accept the change press [SET] then [RESET] **OR** to cancel the change press the [RESET] button twice.

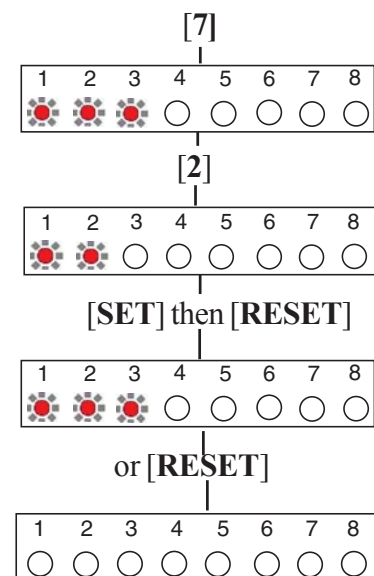


LED keypad:

To change the **Bell Delay** time from 00 to 12 minutes:

- Press [7] to enter **Set up Timers**. LED's 1, 2 and 3 are on.
- Press [2] for **Bell Delay** time in minutes. LED's 1 and 2 are on.
- Select [1] then [2]. LED's 1 and 2 are on.
- To accept the change press [SET]. LED's 1, 2 and 3 are on. Press [RESET].

OR to cancel the change press the [RESET] button twice.



73 = Set Up Rearm Count

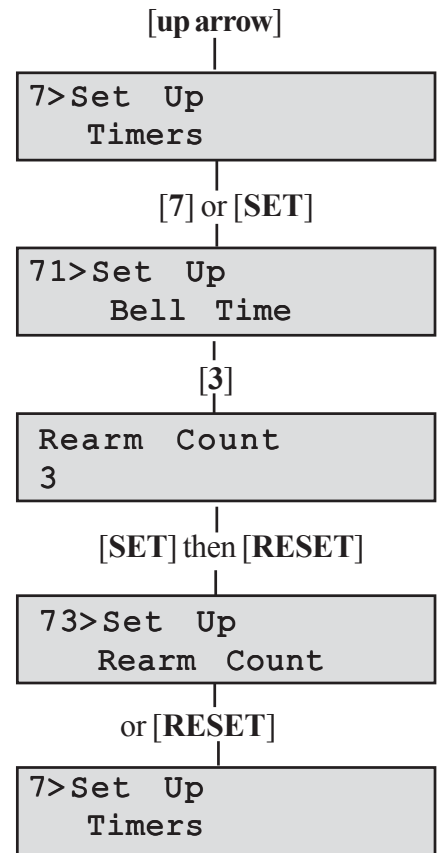
After an alarm the panel will automatically rearm itself when the external siren (Bell) timer has expired. Any zones which still remain open at that time will be automatically omitted. The default is 3 rearms.

- 0 = no rearms
- 1-8 = number of rearms
- 9 = always rearm

LCD keypad:

To change the **Rearm Count**:

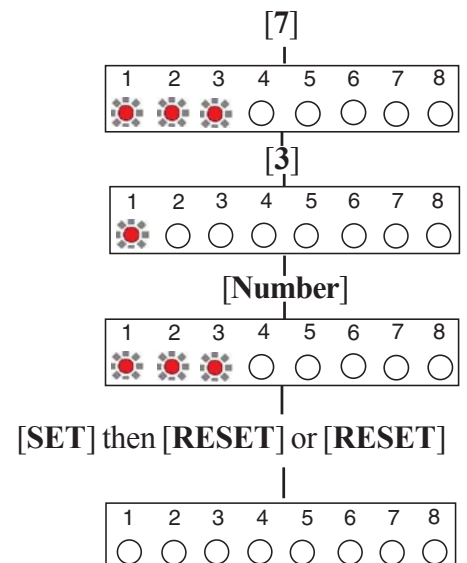
- Press [up arrow] for menu **Set Up Timers**.
- Press [7] or [SET]. Option 1 **Set up Bell Time** appears.
- Press [3]. The **Rearm Count** is displayed (default 3).
- Select a number [0 - 9] to change the rearm count.
- To accept the change press [SET] then [RESET]
- **OR** to cancel the change press the [RESET] button twice.



LED Keypad:

To change the **Rearm Count**:

- Press [7] to enter **Set Up Timers**. LED's 1, 2 and 3 are on.
- Press [3] for **Rearm Count**. LED 1 is on.
- Select a number [0 - 9] to change the rearm count.
- To accept the change press [SET]. LED's 1, 2 and 3 are on. Press [RESET].
- **OR** to cancel the change press the [RESET] button twice.



8 = Set Up Codes

There are four codes used in the system, all are 4 digit and can be set to any number from 0000 to 9999. The access codes ensure that only authorised users can operate the system.

User 1 and 2 codes

The user 1 and user 2 codes have the same operation for testing, Setting and Unsetting, but user 1 code which is usually considered to be the Manager's code has the authority to add, change or delete the user 2 code and duress code.

Duress code

Should be used in a hold up situation where there is pressure to Set or Unset the system. Entry of the code will allow the system to work normally but also generate a silent PA type alarm by operating the PA communicator output. The duress code is not applicable for Optima compact system.

Engineer code

Accesses the *Engineer program mode* to allow the system to be programmed. The engineer code will not set or unset the system.

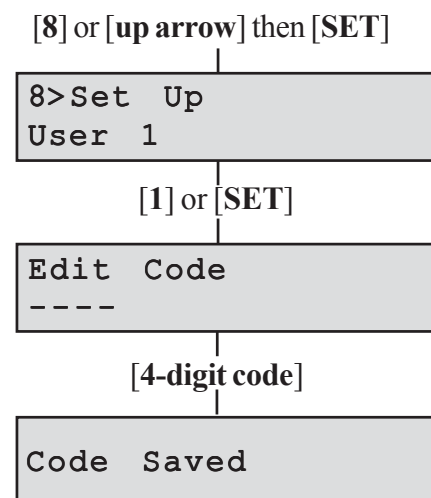
If configured the Engineer's code can be used to reset the system after an alarm.

NOTE: Entering an invalid user code will operate the code tamper. After 17 incorrect keypushes a full alarm condition will be generated.

LCD Keypad:

To change User code:

- Press the [8] button on the keypad or press the [up arrow] for **Set Up Codes**. Then press [SET].
- Press the [1] or [SET] button on the keypad to edit user code.
- Enter the new [4-digit code].
- Upon the last keypress the code is saved.



To change the other codes: Press the [up arrow] to move through the codes.

[2] = User 2

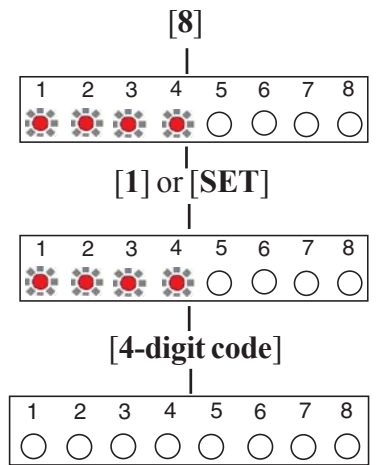
[3] = Duress

[4] = Engineer

LED Keypad:

To change User code:

- Press [8] to edit user code. LED's 1-4 are on.
- Press [1] or [SET] to edit user code 1. LED's 1-4 are on.
- Enter the new 4-digit code.
- Upon the last keypress the new code is saved.
- To leave menu press [RESET] twice.



The other codes are changed in a similar manner from step 2;

Press [2] for User 2

Press [3] for Duress code

Press [4] for Engineer code.

NOTE: To delete the 4-digit code from User 2 or Duress, enter into **Edit Code** and press [OMIT].

C = View Event Log

1 = LCD Keypad:

The event log gives a display of all the events that have taken place. The events are arranged by date and time. Up to 250 events can be stored in the memory. When the log reaches 250 events and another event takes place, the first event drops out. The system is known as FILO (First In Last Out).

To view the event log:

- Press the [**up arrow**] until you come to the first screen.
- Press [**CHIME**] or [**SET**].
- Choose [**1**] for Event Log in LCD screen.
- The last event (250) appears on LCD screen.

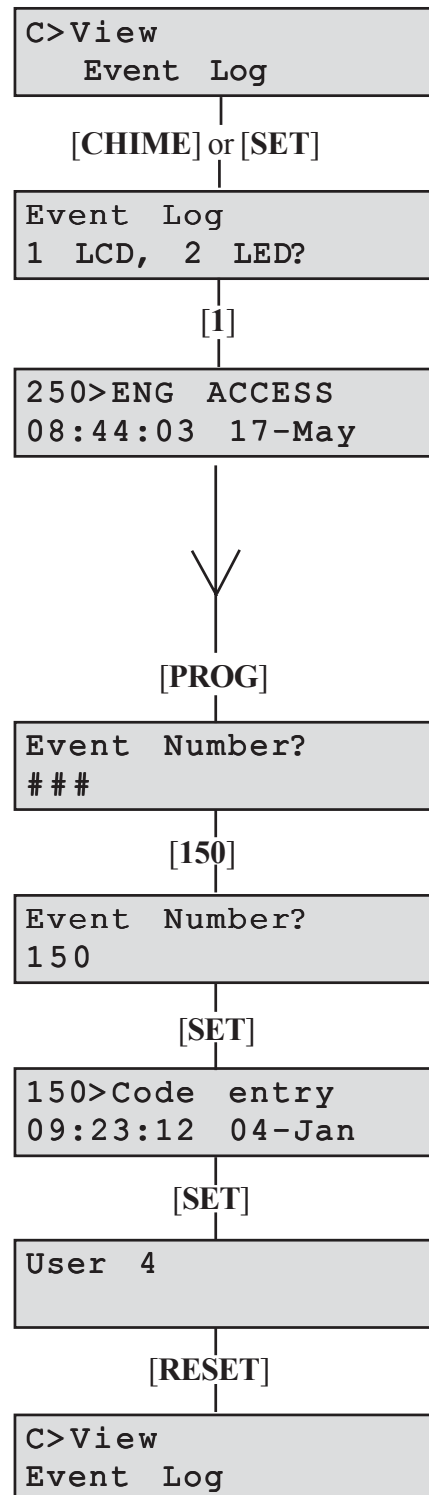
To go forward through the event log in sequence, press [**OMIT**].

To go back through the event log in sequence, press the [**up arrow**].

- Press [**RESET**] twice to leave the menu

To go to a specific event:

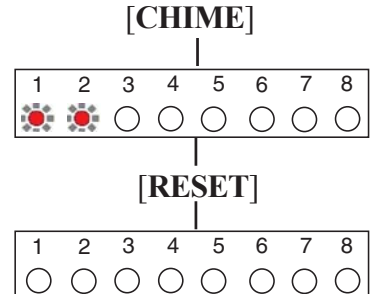
- Press the [**PROG**] button.
- Key in Event Number you want to see (eg 150).
- Press the [**SET**] button. The event appears on the LCD screen.
- Press [**SET**] again to see further details of the event.
- Press [**RESET**] twice to leave the menu option.



2 = LED Keypad:

The LED keypad is limited to show the last eight set periods with the eighth being the oldest. Zone, PA and Tamper indicators will be lit to show zone in alarm. Flashing LED indicates the first zone in alarm. Day indicates the status of the panel at the time of the alarm.

- Press [CHIME] to enter into Event Log menu. LED's 1 and 2 are on.
- Press [2] for LED keypad. The first zone to activate is indicated by a flashing LED.
- Press [1 to 8] for the desired event or [CHIME] to go through events in sequence.
- Press [RESET] twice to leave the menu.



0 = Omit Allow and Double Knock

1 = Double Knock

Double knock programming is used when zones are likely to create false activations. Double knock requires two activations within 10 minutes of the same zone or a zone left open for 10 seconds.

NOTE: It is not advisable to apply Double Knock to magnetic door contacts. Double Knock cannot be applied to Fire Zones. By default, no zones are in Double Knock mode and all zones are enabled as Omit Allow.

LCD Keypad:

Programming a Zone as Double Knock

The [up arrow] scrolls through zones.

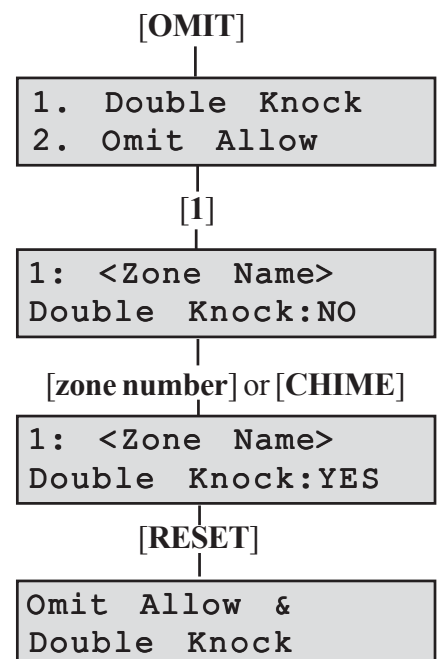
Press [CHIME] to toggle double knock status on or off.

Press [9] to turn all double knock zones on.

Press [0] to turn all double knock zones off.

While in *Engineer program mode* press [OMIT] or press [up arrow] until 0>Omit allow & Double Knock is displayed then press [SET].

- Press [1] to select Double Knock. The first zone is displayed with status NO or YES.
- Press the [zone number] or [CHIME] to toggle the status on or off.
- Press the [up arrow] or [zone number] to go to the other zones and follow the same procedure as above.
- Press [RESET] twice to leave the menu.



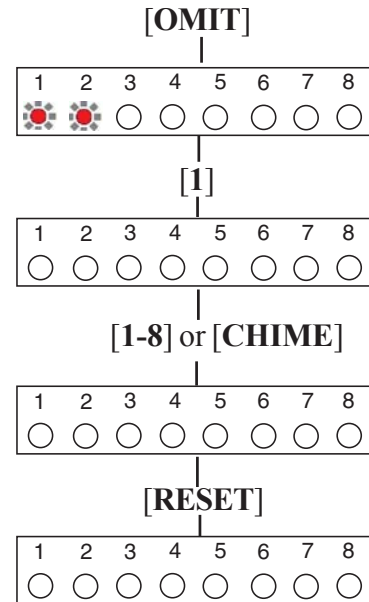
LED Keypad:

Press [CHIME] to toggle double knock status on or off.

Press [9] to turn all double knock zones on.

Press [0] to turn all double knock zones off.

- Press [OMIT] to enter into menu. LED's 1 and 2 are on.
- Press [1] to select Double Knock.
- Press zone number [1-8] to choose a particular zone.
- Press the zone [number] or [CHIME] to toggle the double knock status on or off. The appropriate LED is on when the zone is set up as Double Knock. Default settings are off.
- Press [RESET] twice to leave the menu.



2 = Omit Allow

When a zone is programmed as **Omit Allow**, the panel allows the zone to be omitted for one set period by the user when setting the system.

Programming a Zone as Omit Allow

The [up arrow] scrolls through zones.

Press [CHIME] to toggle omit allow status on or off.

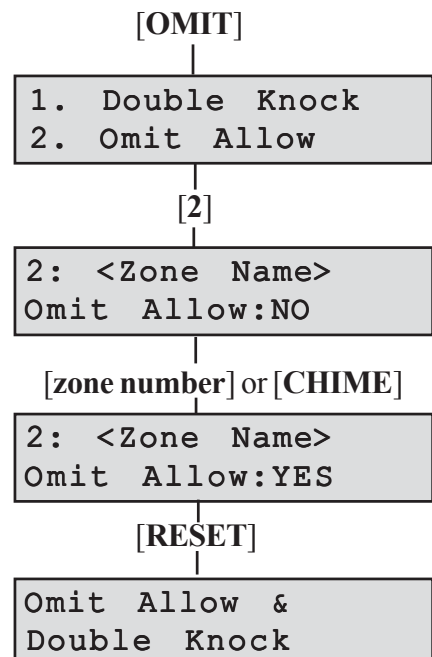
Press [9] to turn all omit allow zones on.

Press [0] to turn all omit allow zones off.

LCD Keypad:

While in *Engineer program mode* press [OMIT] or press [up arrow] until 0>Omit allow & Double Knock is displayed then press [SET].

- Press [2] to select Omit Allow. The first zone is displayed with status on or off.
- Press the [zone number] or [CHIME] to toggle the status on or off.
- Press the [up arrow] or [zone number] to go to the other zones and follow the same procedure as above.
- Press [RESET] twice to leave the menu.



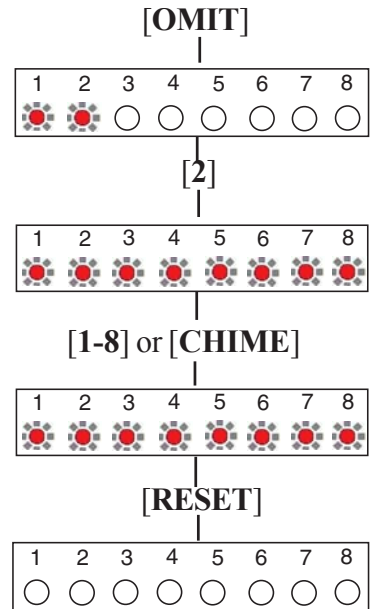
LED Keypad:

Press [CHIME] to toggle omit allow status on or off.

Press [9] to turn all omit allow zones on.

Press [0] to turn all omit allow zones off.

- Press [OMIT] to enter into menu. LED 2 is on.
- Press [2] to select **Omit Allow**.
- Press zone number [1-8] to choose a particular zone.
- Press the [zone number] or [CHIME] to toggle the omit allow status on or off. The appropriate LED is on when the zone is set up as omit allow. Default settings are off.
- Press [RESET] twice to leave the menu.



P = Set Up Programs

The panel uses three setting routines known as programs. Each program may have a different **Exit Mode**. These are 0 = Disabled, 1 = Timed, 2 = Final Door or 3 = Silent Timed. Zones can also be assigned different functions in different programs. Refer to the following diagram for the programming structure.

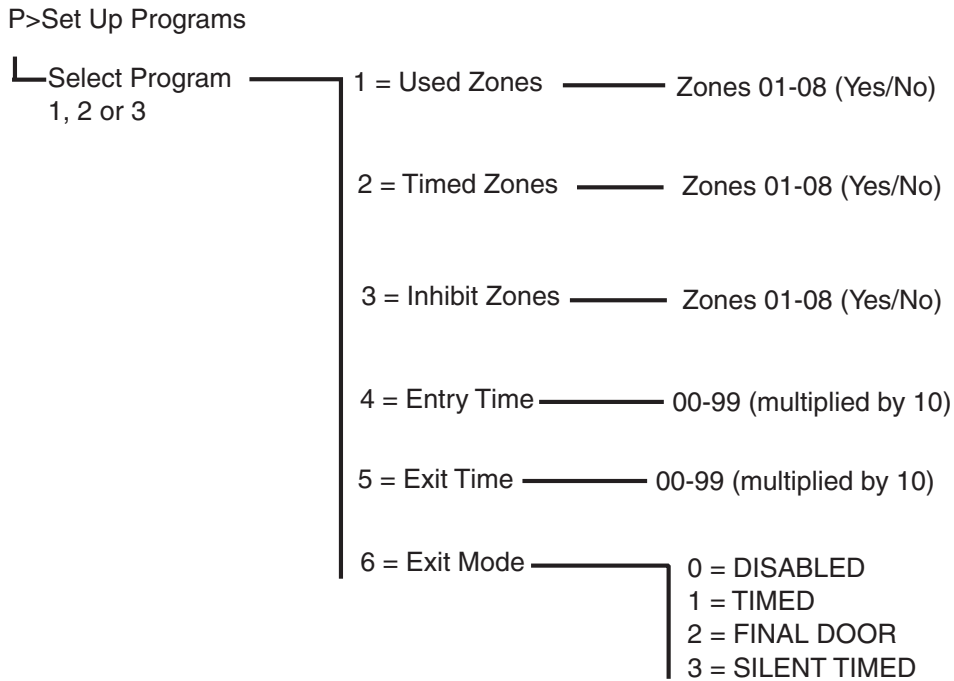


Figure 16. Programming structure

Notes on Zones

For any program a zone cannot be both timed and inhibited. If a zone is selected as one it will be removed from the other.

Zones in the timed and inhibited lists will be automatically added to the used list.

Zones removed from the used list will be removed from the timed and inhibited lists.

If a timed zone is left open on rearm, any inhibit zones will act as a timed zone during that set period.

1 = Used Zones

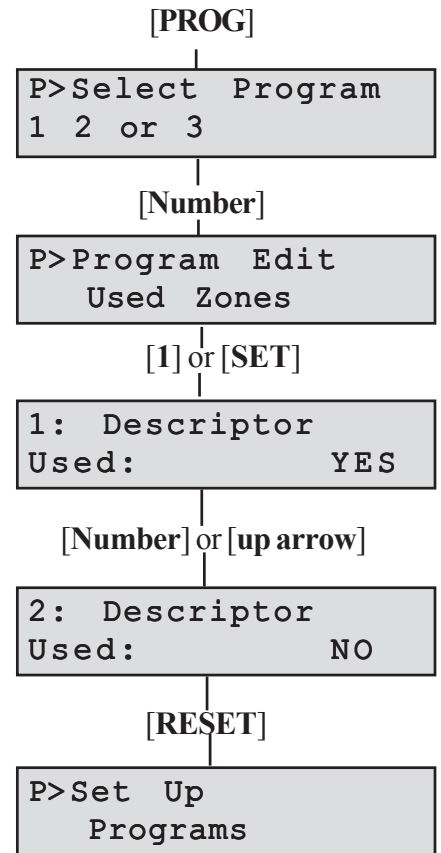
The zones on the system can either be programmed as Used or Unused. A zone that is programmed as unused by the engineer, is still available for chime or fire. Unused zones are primarily used for Part Set options. There must always be at least one used zone in program 1. The panel will enforce this if none are selected by automatically setting zone 1 to used.

LCD Keypad:

NOTE: Pressing the number toggles the zone ON or OFF

While in *Engineer program mode*, to set up zones as used,

- Press [**PROG**] to give a choice of programs or press [**up arrow**] until **P>Set Up Programs** is displayed then press [**SET**].
- Select program 1, 2 or 3.
- The first screen to appear is **Program Edit Used Zones**.
- Press [**1**] or [**SET**]. The first zone can now be set as used or unused.
- To edit the other zones press [**Number**] or [**up arrow**] to go to a particular zone.
- Press [**RESET**] three times to leave menu.

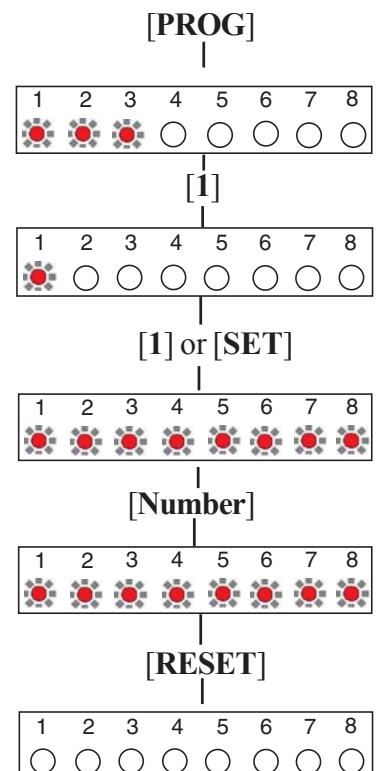


LED Keypad:

NOTE: Pressing the number toggles the zone ON or OFF

While in *Engineer program mode*, to set up zones as used,

- Press [**PROG**] to give a choice of programs. LED's 1, 2 and 3 are flashing.
- Select program [**1, 2 or 3**]. If program 1 is selected, LED 1 is ON.
- Press [**1**] or [**SET**]. The first zone can now be set as used or unused. If used, then LED is on
- To edit the other zones press [**Number**] to go to a particular zone. Default settings are on.
- Press [**RESET**] three times to leave menu.



2 = Timed Zones

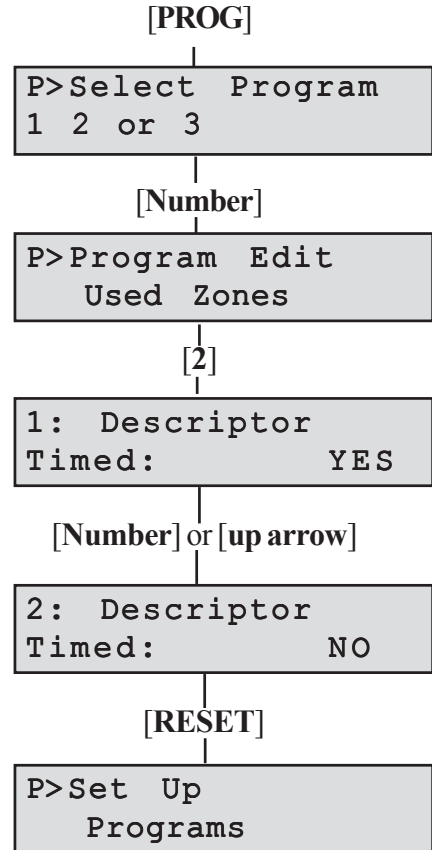
A zone programmed as Timed would be used to protect the main entry/exit door of the entry route.

LCD Keypad:

NOTE: Pressing the number toggles the zone ON or OFF

While in *Engineer program mode*, to set up zones as timed,

- Press **[PROG]** to give a choice of programs or press **[up arrow]** until **P>Set Up Programs** is displayed then press **[SET]**.
- Select program 1, 2 or 3.
- The first screen to appear is **Program Edit Used Zones**.
- Press **[2]** to enter into **Timed Zones**. The first zone can now be set as timed or untimed.
- To edit the other zones press **[Number]** or **[up arrow]** to go to a particular zone.
- Press **[RESET]** three times to leave menu.

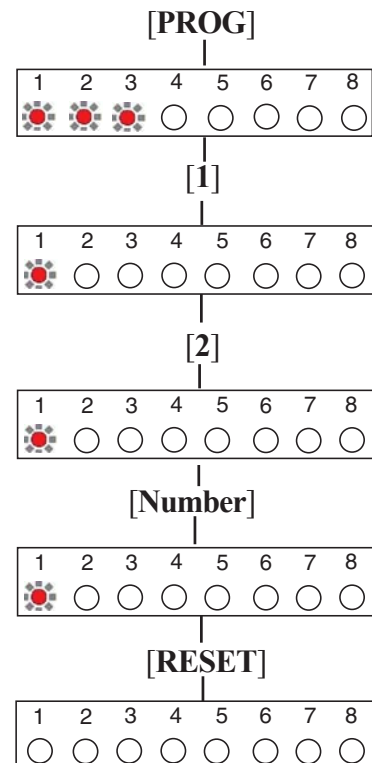


LED Keypad:

NOTE: Pressing the number toggles the zone ON or OFF

While in *Engineer program mode*, to set up zones as timed,

- Press **[PROG]** to give a choice of programs. LED's 1, 2 and 3 are flashing.
- Select program **[1, 2 or 3]**. If program 1 is selected, LED 1 is ON.
- Press **[2]** to enter into **Timed Zones**. The first zone can now be set as timed or untimed.
- To edit the other zones press **[Number]** to go to a particular zone. Default settings are shown opposite.
- Press **[RESET]** three times to leave menu.



3 = Inhibit Zones

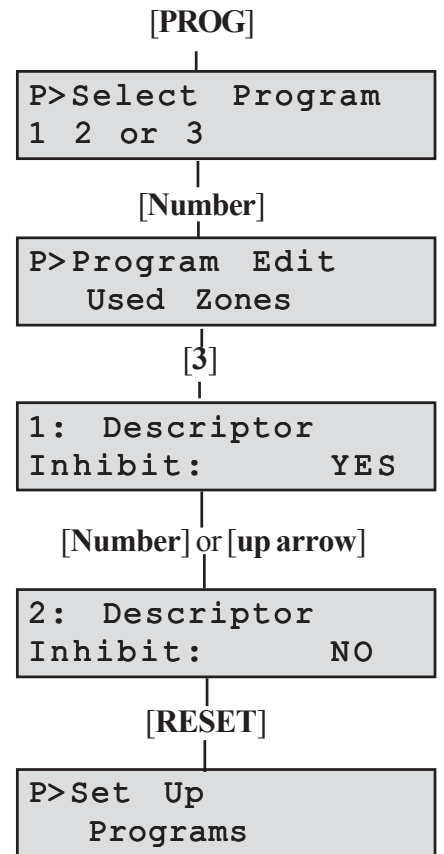
This is a zone which, on setting the panel, allows access to the entry/exit zone. However, if the panel is set and a time inhibited zone is triggered before an entry/exit timed zone then an alarm will be generated immediately.

LCD Keypad:

NOTE: Pressing the number toggles the zone ON or OFF

While in *Engineer program mode*, to set up zones as inhibit,

- Press [**PROG**] to give a choice of programs or press [**up arrow**] until **P>Set Up Programs** is displayed then press [**SET**].
- Select program 1, 2 or 3.
- The first screen to appear is **Program Edit Used Zones**.
- Press [**3**] to enter into **Inhibit Zones**. The first zone can now be set as inhibited or uninhibited.
- To edit the other zones press [**Number**] or [**up arrow**] to go to a particular zone.
- Press [**RESET**] three times to leave menu.

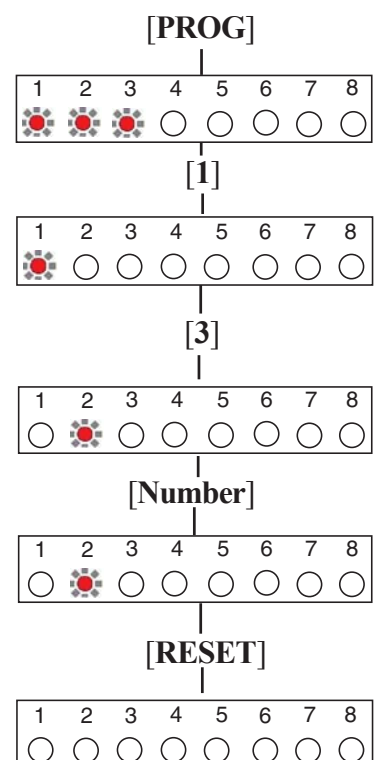


LED Keypad:

NOTE: Pressing the number toggles the zone ON or OFF

While in *Engineer program mode*, to set up zones as inhibited,

- Press [**PROG**] to give a choice of programs. LED's 1, 2 and 3 are flashing.
- Select program [1, 2 or 3]. If program 1 is selected, LED 1 is ON.
- Press [**3**] to enter into **Inhibit Zones**. The first zone can now be set as inhibited or uninhibited.
- To edit the other zones press [**Number**] to go to a particular zone. Default settings are shown opposite.
- Press [**RESET**] three times to leave menu.



Immediate (Intruder) Zone

This is a zone which will, when enabled as used and then activated, go into alarm when the panel is set. To assign a zone as immediate, remove the timed or timed inhibit function and make sure that it is enabled in the **Used Zones** section.

4 = Entry Time

This is the time allowed to enter the premises via the entry route and unset the system. The programmable range is 00-99 seconds. The actual time is multiplied by 10.

00 = 5 seconds

01 = 10 seconds

03 = 30 seconds

99 = 990 seconds (16.5 minutes)

The default is 30 seconds.

LCD Keypad:

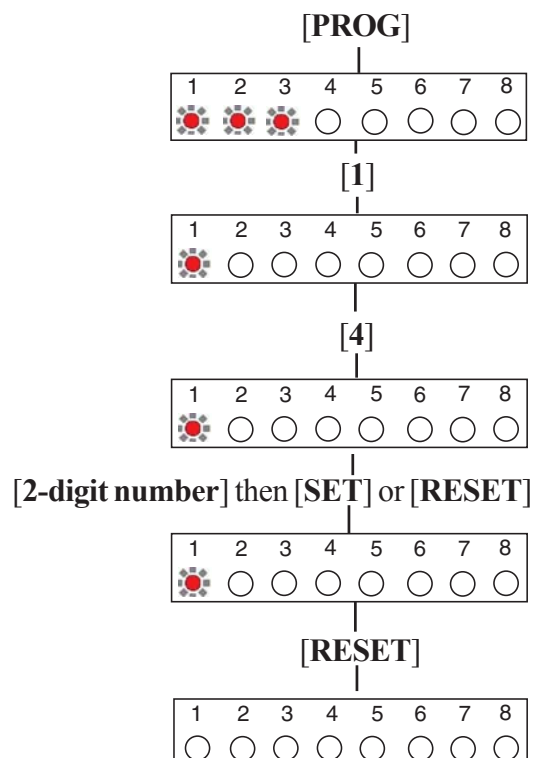
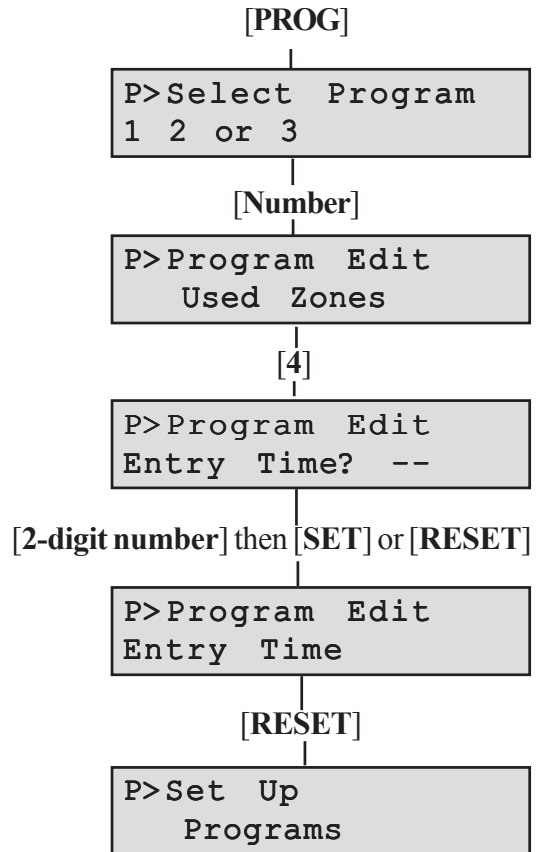
While in *Engineer program mode*, to set the entry time,

- Press **[PROG]** to give a choice of programs or press **[up arrow]** until **P>Set Up Programs** is displayed then press **[SET]**.
- Select program 1, 2 or 3.
- The first screen to appear is **Program Edit Used Zones**.
- Press **[4]** to enter into **Entry Time** edit. The **Entry Time** can now be changed.
- Enter a **[2-digit number]** from 00 to 99.
- Press **[SET]** to accept change or **[RESET]** to cancel.
- Press **[RESET]** twice to leave menu.

LED Keypad:

While in *Engineer program mode*, to set the entry time,

- Press **[PROG]** to give a choice of programs. LED's 1, 2 and 3 are flashing.
- Select program 1, 2 or 3. If program 1 is selected, LED 1 is ON.
- Select **[4]** to enter into **Entry Time** edit. The **Entry Time** can now be changed. LED 1 is ON.
- Enter a **[2-digit number]** from 00 to 99. LED 1 is ON.
- Press **[SET]** to accept change or **[RESET]** to cancel.
- Press **[RESET]** twice to leave menu.



5 = Exit Time

This is the time allowed to leave the premises via the exit route before the system sets. The programmable range is 00-99 seconds. The actual time is multiplied by 10.

If the **Exit Time** is interrupted within the last 10 seconds, then the **Exit Time** will restart at 10 seconds after the interruption has cleared.

00 = 5 seconds

01 = 10 seconds

03 = 30 seconds

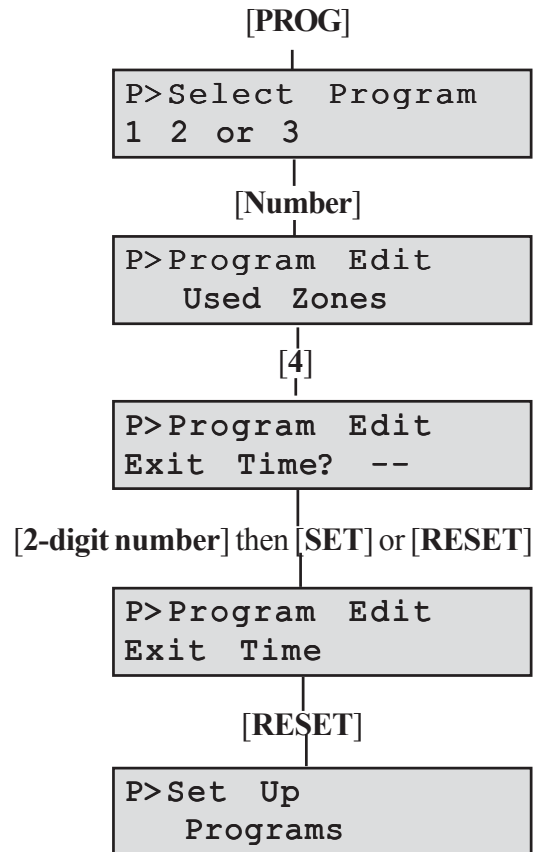
99 = 990 seconds (16.5 minutes)

The default is 30 seconds.

LCD Keypad:

While in *Engineer program mode*, to set the **Exit Time**,

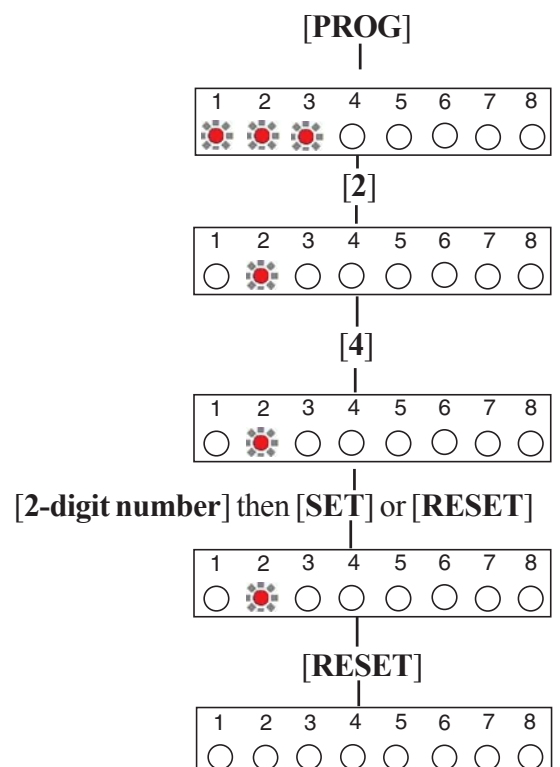
- Press [**PROG**] to give a choice of programs or press [**up arrow**] until **P>Set Up Programs** is displayed then press [**SET**].
- Select program 1, 2 or 3.
- The first screen to appear is **Program Edit Used Zones**.
- Press [**5**] to enter into **Exit Time** edit. The **Exit Time** can now be changed.
- Enter a [**2-digit number**] from 00 to 99.
- Press [**SET**] to accept change or [**RESET**] to cancel.
- Press [**RESET**] twice to leave menu.



LED Keypad:

While in *Engineer program mode*, to set the **Exit Time**,

- Press [**PROG**] to give a choice of programs. LED's 1, 2 and 3 are flashing.
- Select program 1, 2 or 3. If program 2 is selected, LED 2 is ON.
- Select [**4**] to enter into **Exit Time** edit. The **Exit Time** can now be changed. LED 2 is ON.
- Enter a [**2-digit number**] from 00 to 99. LED 2 is ON.
- Press [**SET**] to accept change or [**RESET**] to cancel.
- Press [**RESET**] twice to leave menu.



6 = Exit Mode

This program determines the way the panel functions during the exit time. There are four settings:

0 = Disabled

A disabled program is not available for use and cannot be selected at setting time. Program 1 cannot be disabled.

1 = Timed

A timed program will become Set as the Exit timer expires.

2 = Final Door

A final door program will be set five seconds after a timed zone is closed if the rest of the zones are clear to set.

NOTE: Final door programs must have a timed zone in order to operate correctly.

3 = Silent Timed

This operates exactly the same as **Timed** but completely silent without internal sounder signal.

NOTE: If a program is not selected when the user sets the system, program 1 will automatically set. Therefore program 1 is usually considered as the Full Set Program containing all the zones.

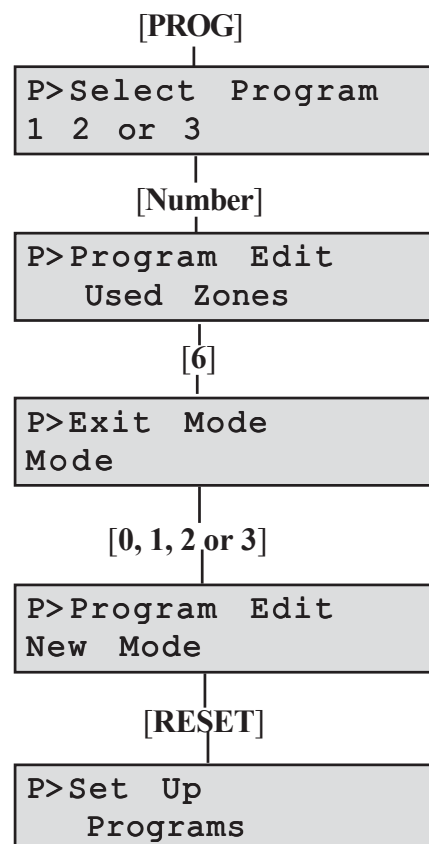
LCD Keypad:

While in *Engineer program mode*, to set the **Exit Mode**,

- Press **[PROG]** to give a choice of programs or press **[up arrow]** until **P>Set Up Programs** is displayed then press **[SET]**.
- Select program 1, 2 or 3.
- The first screen to appear is **Program Edit Used Zones**.
- Press **[6]** to enter into **Exit Mode** edit. The **Exit Mode** can now be changed.
- Enter **[0, 1, 2 or 3]** for required **Exit Mode**.

NOTE: Program Mode DISABLED is not available in program 1.

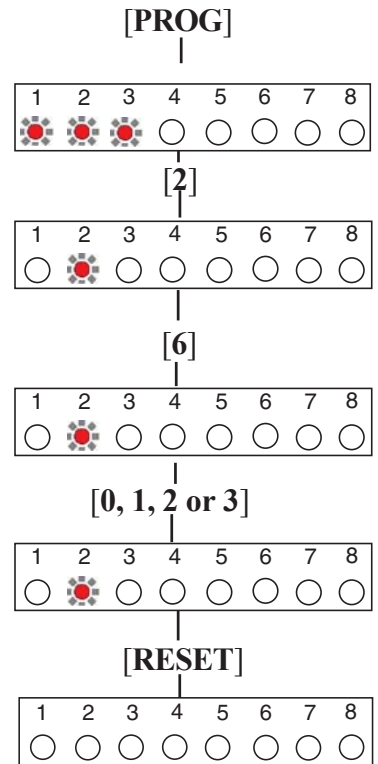
- Press **[RESET]** three times to save change and leave menu.



LED Keypad:

While in *Engineer program mode*, to set the **Exit Mode**,

- Press [**PROG**] to give a choice of programs. LED's 1, 2 and 3 are flashing.
 - Select program 1, 2 or 3. If program 2 is selected, LED 2 is ON.
 - Press [**6**] to enter into **Exit Mode** edit. The **Exit Mode** can now be changed.
 - Enter [**0, 1, 2 or 3**] for required **Exit Mode**. Appropriate LED is ON for selected mode (1 = disabled, 2 = timed, 3 = final door, 4 = silent timed)
- NOTE:** Program Mode DISABLED is not available in program 1.
- Press [**RESET**] three times to save change and leave menu.



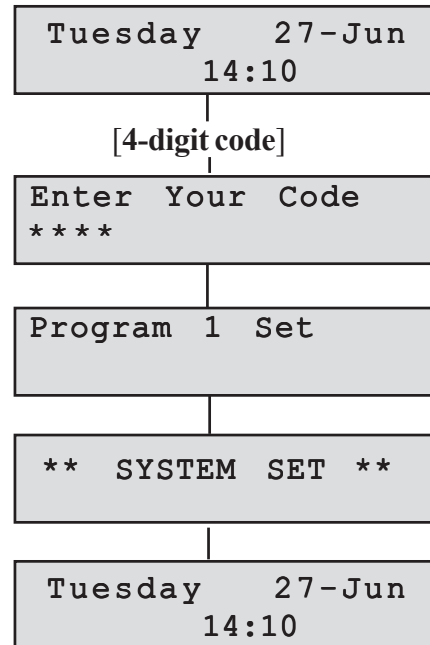
Operating the System

This section gives a brief description of how to set and unset the system as well as how to reset after an alarm. For further information please refer to the Gen 4 Series User Guide.

Setting the System

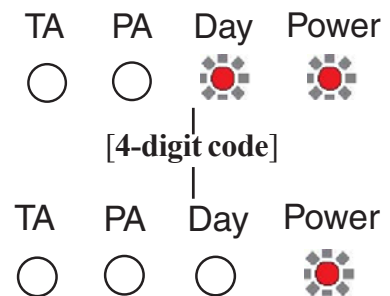
LCD Keypad:

- The system shows the day mode display. The system is unset. The **Power** and **Day** LED's are ON.
- Enter your 4-digit code (**0123** default) and check that the system is clear (no zone indicators on).
- The exit tone begins to sound and the display shows either program 1, 2 or 3 is in the process of setting.
- Leave the premises by the agreed exit route.
- The exit tone becomes rapid during the last 10 seconds and then stops when the system sets. The **Day** LED goes OFF.
- After 30 seconds the day mode display appears.



LED Keypad:

- The system is unset. The **Power** and **Day** LED's are ON.
- Enter your 4-digit code (**0123** default) and check that the system is clear (no zone indicators on).
- The exit tone begins to sound to indicate that the system is in the process of setting.
- Leave the premises by the agreed exit route.
- The exit tone becomes rapid during the last 10 seconds and then stops when the system sets. The **Day** LED goes OFF.



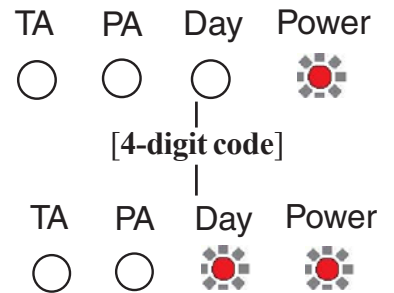
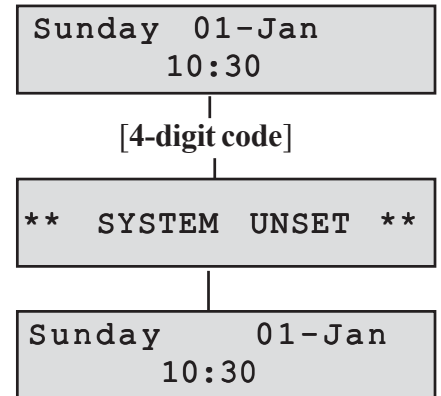
Unsetting the System

LCD Keypad:

- Enter the premises by the agreed entry route. The system produces an entry tone. The **Power** LED is ON and the **Day** LED is OFF indicating that the system is set.
- Enter your 4-digit code (**0123** default).
- The system unsets with a double beep. The **Day** LED comes ON indicating that the system is unset.
- After 30 seconds the Day Mode display appears.

LED Keypad:

- Enter the premises by the agreed entry route. The system produces an entry tone. The **Power** LED is ON and the **Day** LED is OFF indicating that the system is set.
- Enter your 4-digit code (**0123** default).
- The system unsets with a double beep. The **Day** LED comes ON indicating that the system is unset.



Resetting After an Alarm, Tamper or PA

The system may be programmed to be reset by the user or the installer. This is dependent on System flags set up. See **Menu 3, Set Up System Flags**.

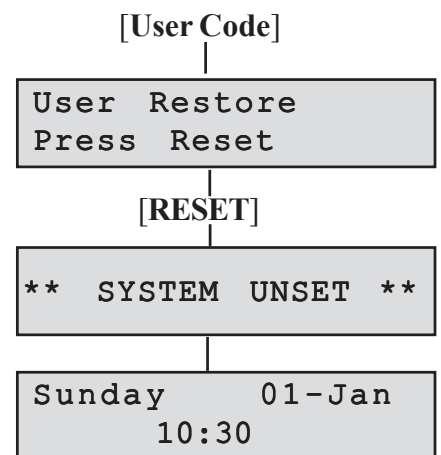
The duration of the audible alarm is subject to the **Bell Time** (menu 7.1=Set Up Timers.Bell Time)

NOTE: The user can reset a PA or Fire alarm only if the function is enabled in System Flags menu 3.1.4 and 3.1.5. respectively.

User Reset - LCD Keypad:

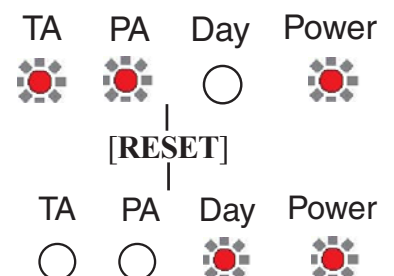
When system is in alarm or tamper:

- Enter a valid user code.
- Press the [RESET] button. The LED goes OFF.
- The system resets and goes into day mode.
- After 30 seconds the day mode display appears



User Reset - LED Keypad:

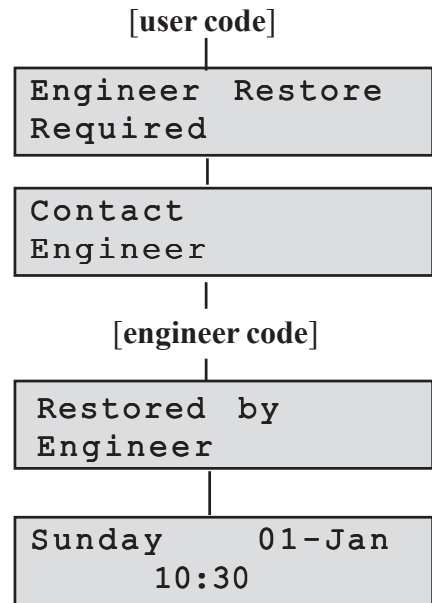
- When system is in alarm or tamper:
- Enter a valid user code. The appropriate LED will be flashing.
- Press the [RESET] button. The LED goes OFF.
- The system goes into day mode. The Day LED is on.



Engineer Reset - LCD Keypad:

After a tamper an engineer reset is required if the **Engineer Reset** flag is enabled.

- Enter your user code [0123] default. If the system has to be set by an engineer the message **Engineer Restore Required** is displayed.
- Enter your 4-digit engineer code (9999 default).
- The system resets and goes into day mode.



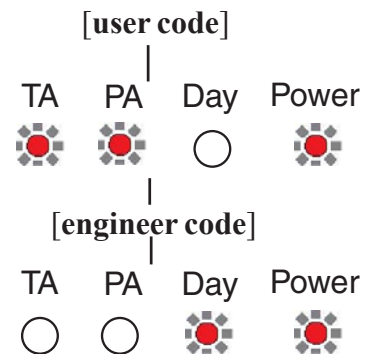
Engineer Reset - LED Keypad:

After a tamper an engineer reset is required if the **Engineer Reset** flag is enabled.

- Enter your user code [0123] default. When System is in Tamper the appropriate LED will be flashing.

NOTE: Only the first event will cause the LED to flash. Subsequent events will have a steady ON condition.

- Enter your 4-digit engineer code (9999 default). The Tamper LED goes OFF and the system resets
- The system is in day mode. The Day LED is on.



Faults

Fault conditions are often the result of minor installation errors.

Whenever working close to the mains supply or connector, you should exercise extreme caution. Always isolate the mains supply before removing the control panel covers.

Codes

As supplied the default user code is **0123** and the engineer code is **9999**. Both codes can revert back to default settings. See **Defaulting Panel to Factory Settings** and **Defaulting User Code 1 and Engineer Code**.

Engineer Mode

The Engineer Program is accessed directly from Day mode via the engineer code.

Tamper/PA/Fire Faults

If a tamper, PA or Fire fault is present on the system, it will go to a lock out condition (showing the appropriate indication). The keypad will produce audible responses and the system will allow an engineer to access the panel and rectify the fault. The panel will remain in lockout until the fault has been rectified.

Zone Wiring

It is recommended that only one detector is wired to each zone as this allows the event log to record the operation of each detector. However, if multiple detectors are connected to a zone, their alarm outputs must be wired in series.

If used, all detector tamper outputs are wired in series back to the control panel to the terminal marked TAMP. (see **Figure 7. Security Zone Wiring**).

Zone Faults

Where a permanent zone fault is showing and the loop resistance is found to be in order, the most probable cause is a short circuit between the zone wiring and the tamper wiring. When measured with a multimeter the series resistance between the zone and tamper wiring should be infinitely high.

If after thorough investigation a fault condition persists the panel can be set to factory defaults (see **Defaulting Panel to Factory Settings**).

Fuses

Before testing or replacing any fuses, ALL power must be removed. Fuses which fail continually are almost certainly the result of a short circuit or low resistance across the 13V supply or external siren (bell box) supply (terminal D).

Specifications

8 zones	+ve loop, programmable function in each program
Tamper	-ve loop, internal sounders in Day - Full alarm in Set
PA	+ve loop, always active
External siren (Bell Box) output	12V, adjustable timer (1 - 99 mins) or continuous
Strobe output	12V latching
External speaker	16 ohm (2 maximum) 260mA each
Exit /Entry Timers seconds	Programmable (05 - 990 seconds)
Set output	0V in Day (sinking 400mA) 12V in Set (sourcing 10mA)
Current consumption control panel	Standby 80mA Alarm 250mA
Current consumption (LED keypad)	Standby 40mA Alarm 70mA
Current Consumption (LCD keypad)	Standby 40 mA Alarm 70 mA
Low voltage output	13.8V dc stabilised (+/-5%) up to 350mA
Rechargeable battery	Accenta mini/Optima - 12V, up to 2.1Ah. Accenta metal encl. - 12V, up to 7Ah
Charge Voltage	13.8V dc
Board fuses	1.6A & 1A 20mm quick blow
Mains input fuse	125mA, 250V type T (anti-surge) type approved to IEC 127, part 2 sheet 111
Total Current Output	1A when supported by a fully charged battery
Mains supply voltage	230V (+/-10%) 50Hz max load 0.2A
Ambient operating temperature	0°C to 40°C
Dimensions - Accenta mini/Optima	H: 200mm W: 253mm D: 55mm
Dimensions - Accenta Metal encl.	H: 255mm W: 300mm D: 85mm
Dimensions - LED keypad	H: 84.5mm W: 122mm D: 27.5mm
Dimensions - LCD keypad	H: 105mm W: 135mm D: 25.5mm

Table 3. Specifications

Appendix 1 - Event Log Messages

KEYPAD TEXT	DESCRIPTION
Zone events	
INTRUDER	Intruder zone activated (opened)
ENTRY START	Entry time started
ZONE OMITTED	Zone has been omitted for one set period
FIRE ZONE	Fire zone activated (opened)
ZONE EXCLUDED	Zone has been omitted for one set period
User Events	
CODE ENTRY	User has entered code
SET PROGRAM	User has set the system with program 1, 2 or 3
SYSTEM UNSET	User has unset the system
System Events	
CLEAR LOG	Event log has been cleared
NVM INIT	Panel was set to factory default conditions
START UP	Panel was cold started
PA	PA zone activated
RKP PA	Remote Keypad PA enabled
DURESS CODE	Duress code used to set or unset the system
ENTRY TIMEOUT	Timeout alarm after entry time has expired
SYSTEM REARM	System rearmed after an alarm
CODE TAMPER	Invalid user code was entered
USER RESET	User has reset the system
ENG'R RESET	Engineer has reset the system
ENG ACCESS	Entering engineer program mode
ENG FINISH	Leaving engineer program mode
OLD TIME	Old time indicated before change
NEW TIME	New time indicated after change
OLD DATE	Old date indicated before change
NEW DATE	New date indicated after change
MAINS FAIL	Mains power supply failure
MAINS OK	Mains power supply restored
LOOP TAMPER	Tamper alarm indicated

Table 4. Event Log

Appendix 2 - Library

Attic	Kitchen
Back Door	Landing
Basement	Living Room
Bathroom	Lounge
Bedroom 1	Patio
Bedroom 2	Porch
Bedroom 3	Stairs
Conservatory	Study
Dining Room	Utility Room
Fire Zone	Window 1
Front Door	Window 2
Garage	Window 3
Hall	

Servicing Organisation Details

Servicing Organisation name:

Telephone number:

Date of Installation:

Account Number:

Parts

- 8SP399A Accenta mini panel with LCD keypad
- 8SP400A Accenta mini panel with LED keypad
- 8EP396A Optima compact panel
- 8SP419A Accenta panel metal enclosure with LCD keypad
- 8SP420A Accenta panel metal enclosure with LED keypad
- 8EP417A Accenta LCD remote keypad
- 8EP416 Accenta LED remote keypad
- 8EP276 Informa
- 8EP289 Extension speaker
- IS215T 12 meter PIR

	Resistance(Ω)	Area protection and equipment used (eg PIR, Contacts)
Zone 1		
Zone 2		
Zone 3		
Zone 4		
Zone 5		
Zone 6		
Zone 7		
Zone 8		

Table 5. Zones and Resistance

Engineer Program Mode **[PROG]** [9] [9] [9] [9]. To exit Engineer Program Mode **[RESET]**

