

B.E.G.**LUXOMAT®**

PD3-1C-FC

Prod.No. 92197 EAN: 4007529921973

- Voltage: 110 - 240 V AC 50 / 60 Hz
- Dimensions: FC= Ø 85 x 79 mm
- Power consumption: < 0.3 W

Order data

Designation	Colour	Art.No
PD3-1C-FC	white	92197

Accessories

Designation	Colour	Art.No
Cover ring PD2/PD3 FC		93085

Technical data

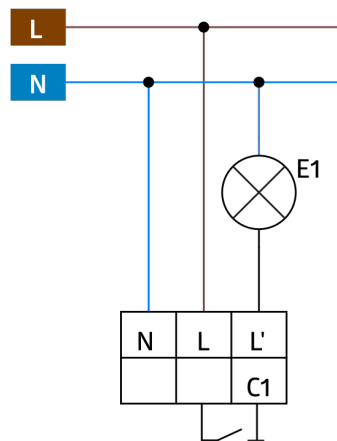
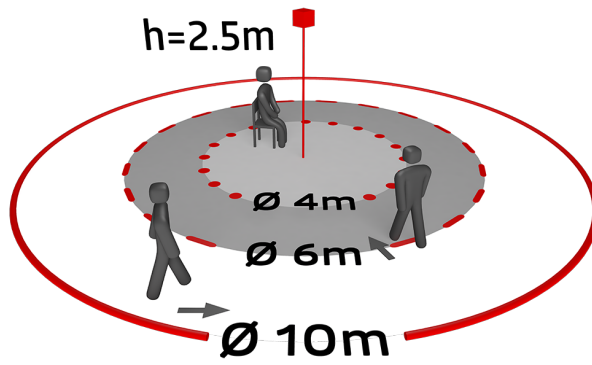
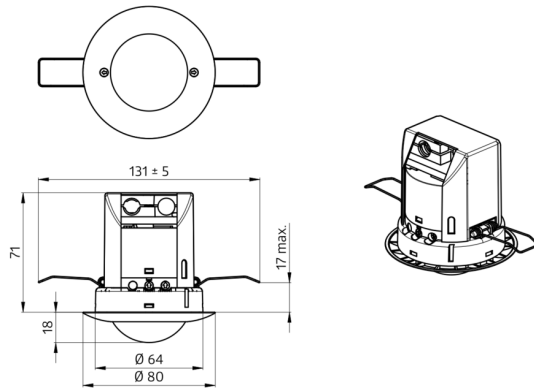
Voltage:	110 - 240 V AC 50 / 60 Hz
Dimensions:	FC= Ø 85 x 79 mm
Power consumption:	< 0.3 W
Detection area:	horizontal 360° (Ceiling mounting)
Range:	max. Ø 10 m across max. Ø 6 m towards max. Ø 4 m seated
Monitored area (tangential movement):	78 m ² / 2.5 m mounting height
Mounting height min./max./recommended:	2 m / 5 m / 2.5 m
Degree / class of protection:	FC= IP20 / Class II
Ambient temperature:	-25 °C to +50 °C
Housing:	polycarbonate, UV-resistant
Material color:	white mat, similar to RAL9010

Channel 1 (lighting control)

Switching power:	2000 W, $\cos \varphi$ = 1 1000 VA, $\cos \varphi$ = 0.5 250 W LED, minimum runtime > 5 min max. inrush current I_p (20 ms) = 80 A
Type of contact (k):	μ -contact, NO contact
Follow-up time:	30 sec - 30 min, Pulse
Switch-on threshold:	10 - 2000 Lux

Product information

Ceiling motion detector
One channel for light switching
Zero crossing switching
Switching for all types of light fixtures by high performance relay
Special optical system for detection of even the smallest movements
Serial impulse function



Accessories



Cover ring PD2/PD3 FC

Art.No: 93085

Dimensions: Ø 84 x 9 mm

Housing: polycarbonate, UV-resistant

Material color: jet black glossy, similar to RAL9005