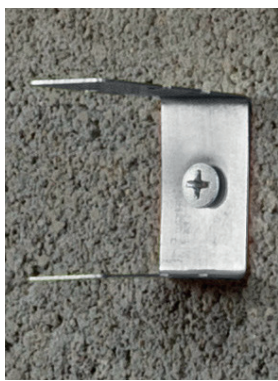
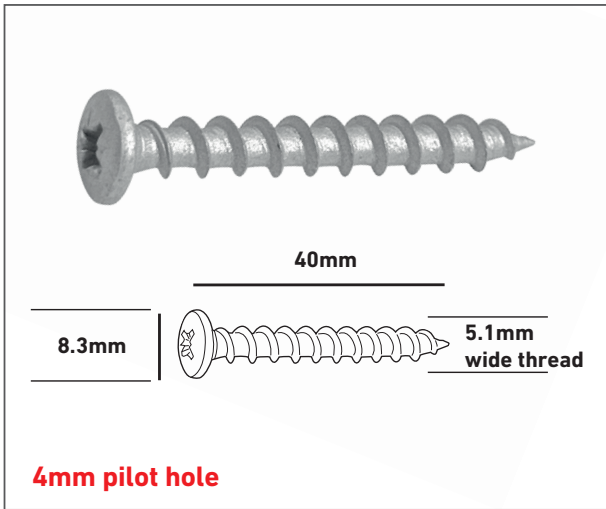


Safe-D D-Fixing - Pan Head - DFIX/100-P



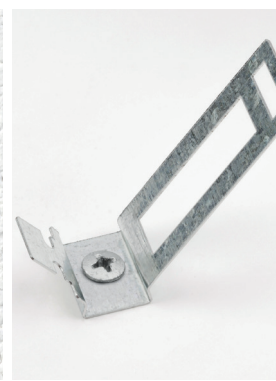
D-Fixing in Safe-D U-Clip 40



D-Fixing in Safe-D F-Clip 50



2x D-Fixings in Safe-D F-Clip 40



Conduit Saddle 20 with D-Fixing



Spring Clip with D-Fixing

D-Fixings are fire-rated, with close threads for high performance. D-Fixings are ideal for securing D-Line Safe-D ranges, and other electrical installation equipment. D-Fixings can be used in masonry, plasterboard/breeze-block, concrete, brickwork and wood.

D-Fixings have been extensively tested, and are certified to hold Safe-D Clips and cable loads up to 970°C for 2 hours, after withstanding stress vibrations and water sprays also.

In fire tests the D-Fixing screw threads remain securely embedded with no need for anchors or plastic wall plugs (which typically melt at 160°C).

- Compliant with BS7671 and BS5839-1 requirements
- >1200°C melting point
- Non-corrosive finish
- No need for plastic wall plugs
- Excellent tensile strength, shear strength and pull-out load performance
- Supplied in 100pc pack

Code	Description
DFIX/100-P	(L) 40mm x (W1) 8.3mm head width x (W2) 5.1mm thread width