

Video Door Phone

Operating Instruction



Enterview 3/3V/3C/3VC



6320000026H



ISO 9001

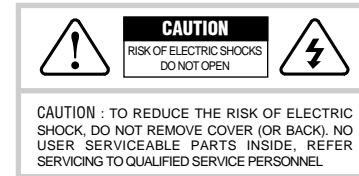


For your protection, Please read these instructions completely and keep it for future reference



WARNING

To prevent injury, the following safety precaution should be observed during installation, use and servicing of the unit.



This symbol is intended to alert the user to the presence of uninsulated “dangerous voltage” within the product’s enclosure that may be of sufficient magnitude to constitute a risk of electric shock to persons.



This symbol is intended to alert the user to the presence of important operating and maintenance (servicing) instructions in the literature accompanying the appliance.

For the customers

This equipment has been tested and found to comply with the limits for a Class B digital device, pursuant to Part 15 of the FCC Rules.

These limits are designed to provide reasonable protection against harmful interference in a residential installation. This equipment generates, uses, and can radiate radio frequency energy and, if not installed and used in accordance with the instructions, may cause harmful interference to radio communication. However, there is no guarantee that interference will not occur in a particular installation. If this equipment does cause harmful interference to radio or television reception, which can be determined by turning equipment on and off, the user is encourage to try to correct the interference by one or more of the following measures:

- Reorient or relocate the receiving antenna.
- Increase the separation between the equipment and receiver
- Connect the equipment into an outlet on a circuit different from that to which the receiver is connected
- Consult the dealer or an experience radio/TV technician for help

Note : Change or modification not expressly approved by the party responsible for compliance could void the user’s authority to operate the equipment

IMPORTANT SAFEGUARDS

1. Read Instructions

All the safety and operating instructions should be read before the unit is operated.

2. Retain Instructions

The safety and operating instructions should be retained for future reference.

3. Follow Instructions

All operating instructions, maintenance and all warnings should be followed.

4. Cleaning

Turn off the power of unit before cleaning. Do not use liquid or aerosol cleaners. Use a dry cloth for the body of unit.

5. Attachments

Do not use attachments not recommended by the unit product manufacturer, as they may be hazardous or cause damage.

6. Heat and Moisture

Do not expose this unit direct sunlight and rain for reliable operation.

7. Installation

Do not install this unit on an unstable place (hot, cold, humid or excessive dust). Use only with a mounting accessory recommended by the manufacturer or sold with the unit. Installing this unit should follow instructions of manufacturer and qualified service personnel.

8. Ventilation

Slot and opening in the cabinet are provided for ventilation to ensure reliable operation of the unit and to protect it from overheating. These openings must not be blocked or covered. Never place your unit on a bed, sofa, rug, or similar surface. Do not install on or near a radiator or heat register. This unit should not be placed in a built-in installation such as a bookcase or rack unless proper ventilation is provided.

9. Power Sources

This unit should be operated only from the type of power source indicated on the label. If you are not sure of the type of power supply to your home, consult your appliance dealer or local power company. To operate the unit by battery or other power source, consult the operating instructions.

10. Grounding and Polarization

This unit may be equipped with either a polarized 2-wire AC line plug

(a plug having one blade wider than the other) or a 3-wire grounding type plug, a plug having a third (grounding) pin. The 2-wire polarized plug will fit into the power outlet only one way. This is a safety feature. If you are unable to insert the plug fully into the outlet, try reversing the plug. If the plug still fails to fit, contact your electrician to replace your outlet. Do not defeat the safety purpose of the polarized plug.

11. Overloading

When using this product, do not overload the power outlets or extension cords as this could cause fire or electric shock.

12. Accessories

Do not place this unit on an unstable cart, stand, tripod, bracket, or table. If the unit falls, it could cause injury or damage to the system.

13. Object and Liquids

Never push objects of any kind into this unit through the openings. Never spill liquid of any kind on the unit.

14. Servicing

Do not attempt to service this unit yourself as opening or removing covers may expose you to dangerous voltage or other hazards. Refer all servicing to qualified service personnel.

15. Power Line

The system should not be located near power lines or electric light or power circuits.

16. Damage Requiring Service

Unplug this unit from the wall outlet and refer to servicing to a qualified service technician if any of the following occur.

- If the power supply cord or plug is damaged
- If any liquid has been spilled into or objects have fallen in the unit
- If the unit has been exposed to rain or water
- If the unit has been dropped or otherwise damaged
- If the equipment exhibits a distinct change in performance

17. Replacement Part

When replacement parts are required, use replacement parts specified by the manufacturer.

TABLE OF CONTENTS

UNIT & COMPONENTS

Front/Side/Bottom panel	6
Parts Enclosed	8

INSTALLATION & WIRING

Installation	10
Wiring	11

OPERATIONS

How to use Buttons and adjustment on the unit	14
Communication function	14

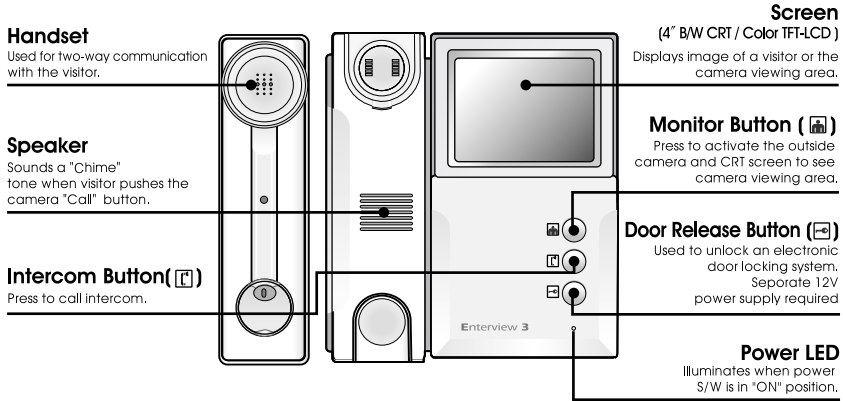
ADDITIONAL INFORMATION

Troubleshooting Guide	16
Specifications	17

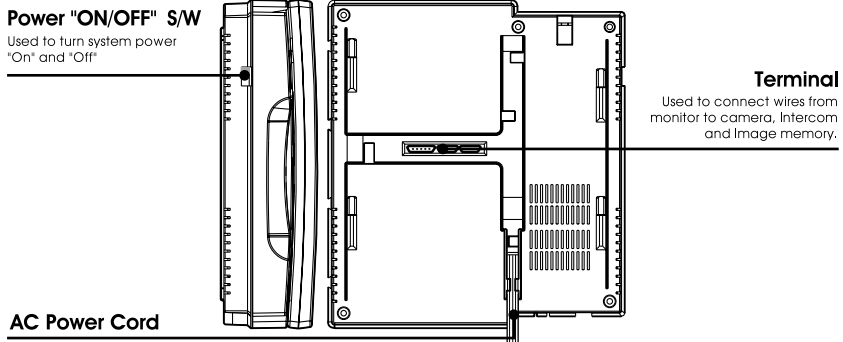
UNIT & COMPONENTS

UNIT & COMPONENTS

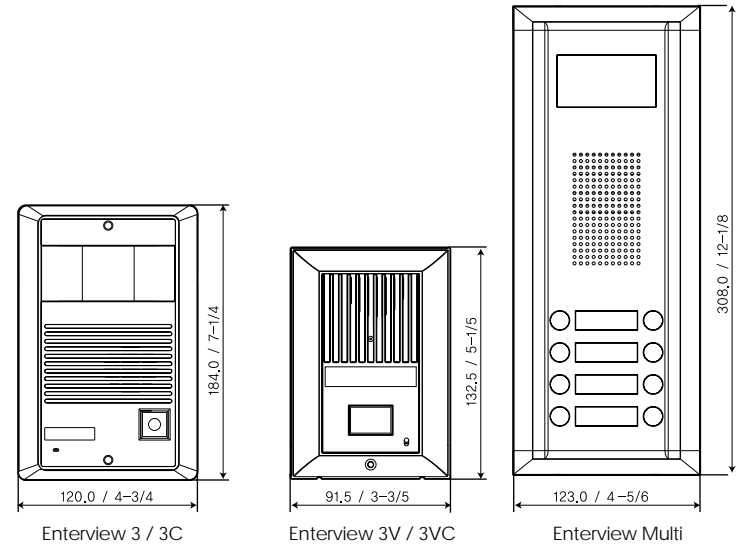
Main unit Front panel



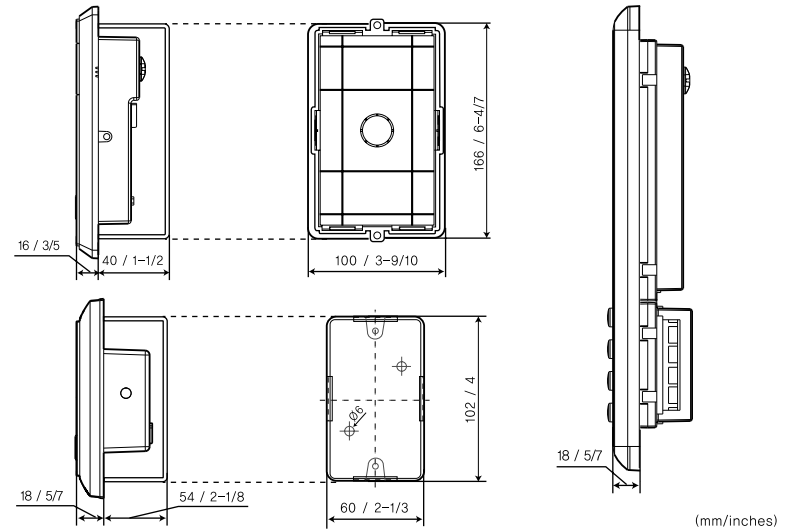
Main unit Side & Bottom panel



Optional Cameras Front panel

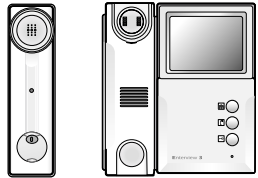


Optional Cameras Side & Bottom panel



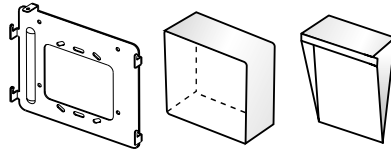
Parts Enclosed

The parts shown below are provided by the manufacture and are enclosed in the box



Handset

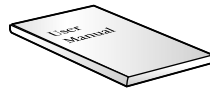
Main



Mounting Bracket / Flush Box / Surface Mount Box

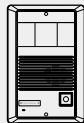


Cable / Screw / Wrench

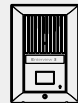


Manual

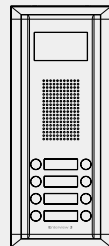
(Optional Cameras)



Enterview 3 / 3C



Enterview 3V / 3VC

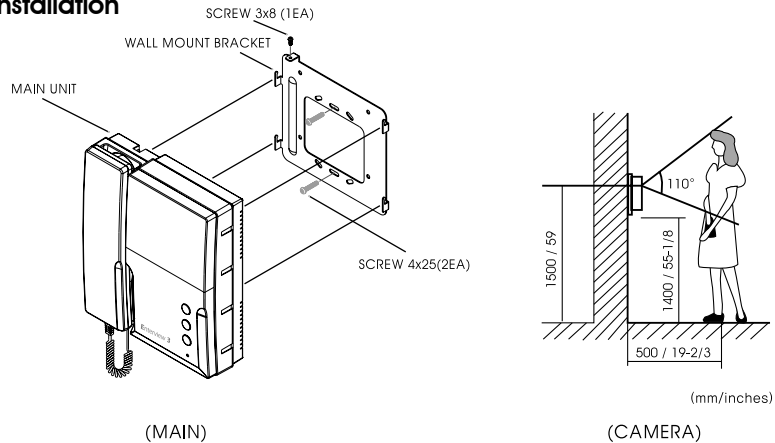


Enterview Multi

OPERATIONS

INSTALLATION & WIRING

Installation



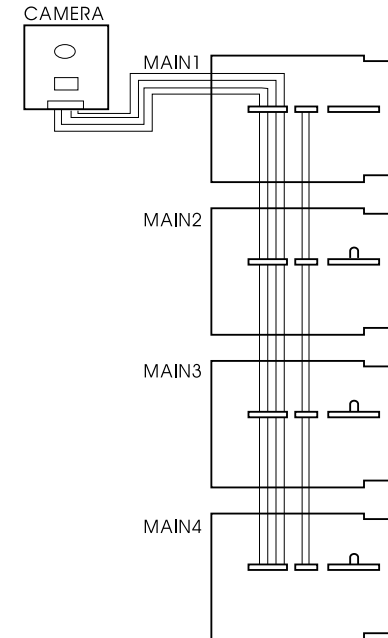
1. After determining the mounting locations for both the outside camera and inside monitor
2. At the selected monitor mounting location, attached the mounting bracket securely to the wall.
Drill a hole in the center area of the bracket just large enough for the electrical wiring to pull through the hole. Connect the electrical wires from the camera unit to the monitor wiring terminal
3. Connect the handset cord to the monitor unit.
4. Attach the wired monitor unit to the wall mounting bracket by setting the monitor over the four bracket hooks and sliding in down, Insert the tiny machine screw into the hole in the tab at the top of the bracket to hold the monitor in place.
5. Plug the AC power cord into a standard household outlet.
6. Place the Power "On/Off" switch in the "On" position.

Important Mounting Notes:

Do not install the monitor and camera units where they will be exposed to dirt, direct sunlight(or other strong light), direct moisture, high temperature(over 40°C) or high humidity conditions. Do not select an installation location subjected to vibration or pounding.

Select a mounting location close to an AC outlet where it is easy to view the CRT screen and operate the monitor.

Wiring

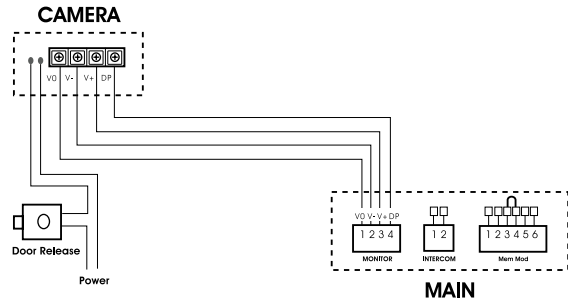


Connect 3,4 shut pin(Main) when you are not using image memory (not available)

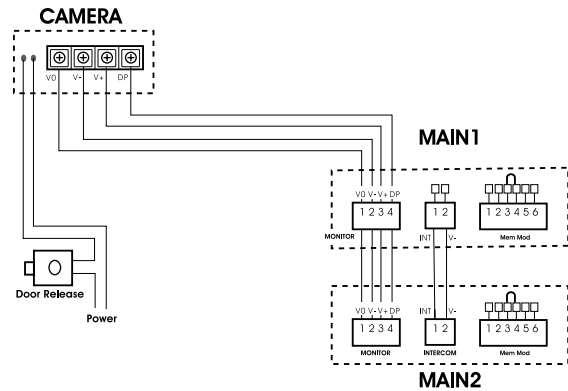
Wiring is not supplied with your Video Doorphone System. Use only AWG #22 wire (0.65mm) and follow the appropriate wiring diagrams exactly for optimum system performance and safety.

When planning the initial Enterview 3 System wiring installation, consider future system expansion. The total wire length for a single camera and monitor system (or any combination of additional cameras or monitors) must not exceed 50m total wiring for optimum performance.

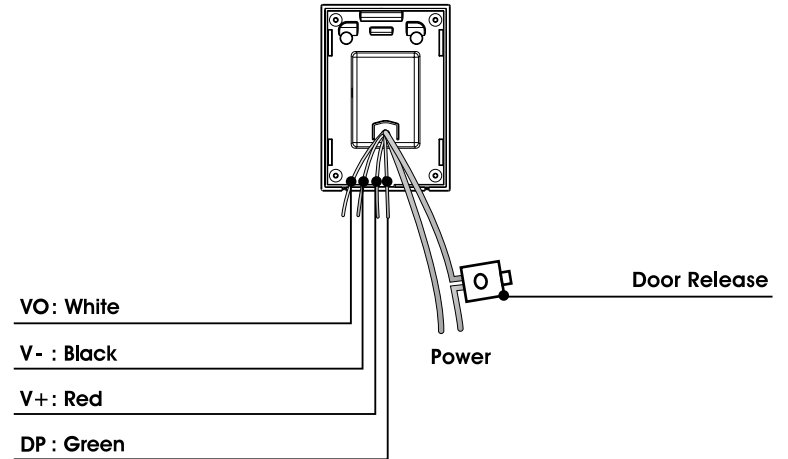
Basic (Single Camera/Single Main)



Option 1 (Single Camera/Two Main)



Option 2 (Enterview 3V / 3VC)



VO: White




V- : Black



V+: Red

DP : Green

OPERATIONS



How to use buttons & adjustment on the unit

BUTTON	DESCRIPTION
Monitor 	ON/OFF of screen, talk through door camera
Intercom 	Activate an talk with the intercom
Door 	Door release

ADJUSTMENT	DESCRIPTION
	Brightness adjustment. (In off hook) After pick up the handset, user can adjust the brightness of screen (Mode: Normal/ Brighter)
	Volume adjustment. (In on hook) After placing the handset, user can adjust the volume of sound (Mode: Normal/ Louder)

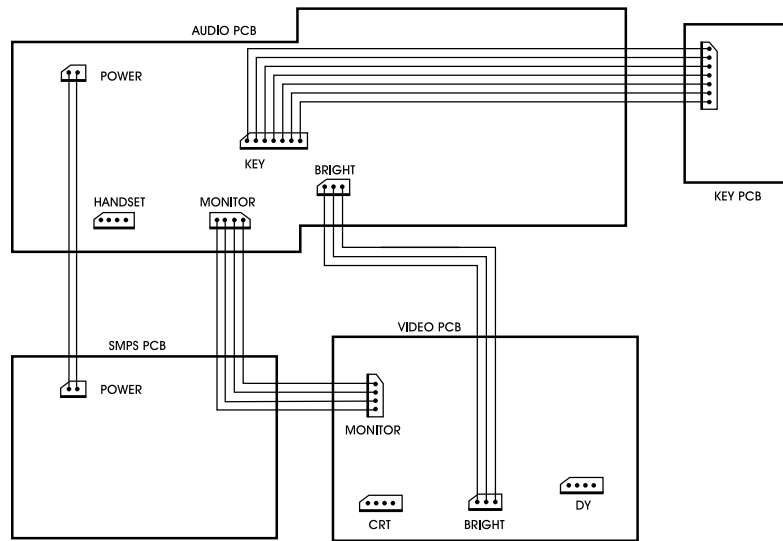
Communicating Function

Turn power switch ON. Use the slide switch for volume and brightness controls.

- 1. Visitor presses the "Call" button on the outside camera unit.**
The monitor's speaker will sound a "chime" tone to announce that a visitor is at the door.
- 2. Upon viewing the monitor's CRT screen and the visitor's image, you have two choice ;**
 - A. You can choose to "not respond" (by not lifting the handset) The visitor's image will disappear from the monitor's CRT screen within 30 seconds
 - B. You can choose to "respond" by lifting the handset and talking to the visitor as if using a telephone. The visitor's image will remain on the CRT screen for 180 seconds, or until the handset is replaced back into the cradle.
- 3. After speaking with the visitor, and if you have installed an electronic door locking system, you can push the "Open" button() to electronically unlock the door.**
- 4. Press the call button() to call the additional monitor as an intercom.**

ADDITIONAL INFORMATION

ADDITIONAL INFORMATION



Trouble Shooting Guide

After trying the methods below, if the problem persists, contact your nearest local dealer

Unit totally dead (Power Lamp OFF)

- The power cord is not properly inserted in the AC outlet, or the AC is not supplied
- The power ON/OFF switch is in the OFF position

Cannot gain enough volume when talking to other units

- Adjust VOLUME with volume selector

Poor picture appears on the screen

- Make sure if lens of outdoor camera is clean

Can call and communicate, however, there is no audio signal

- Defective Camera

Specifications

Enterview 3 / 3V / 3C / 3VC (Main unit)

Remark		Specification
Voltage Requirements		90-250V AC, 50/60 Hz(Smps)
Power Consumption	B/W	Maximum 30VA, Stand by 5VA
	Color	Maximum 28VA, Stand by 5VA
Monitor Screen		B&W Flat 4" Flat type / Color 4" TFT-LCD
Maximum Wiring Distance		50m/165 feet (22 AWG, 0.65mm 4wire)
Audio Communication		Duplex handset
Extensions		Monitor or Image memory
Environment	Temperature	-10° C to +40° C
	Humidity	Below 90% (relative)
Size	Dimension	188W x208H x60D(mm) / 7-2/5W x8-1/5H x2-1/3D(Inches)
	Weight	1.3 kg (2.86 lbs) / 1.0 kg (2.20 lbs)
Installation		Surface Mount Type

Enterview 3 / 3C (Metal Camera)

Remark		Specification
Power Source		DC 13V (supplied from Monitor)
Power Consumption		DC 13V, 0.25A
Display Input		1Vp-p/75, Composite CCIR/EIA, PAL/NTSC
Minimum Illuminance		0.1 Lux(B/W) / 3 Lux(Color)
Environment	Temperature	-10° C ~ 40° C
	Humidity	Below 90% (relative)
Size	Dimension	120W x184H x16D(mm) / 4-3/4W x7-1/4H x3/5D(Inches)
	Weight	0.5kg / 1.10 lbs
Installation		Flush Mount Type

※ The depth of camera on the table indicates from wall surface after installation

Enterview 3V / 3VC (Pinhole Camera)

Remark		Specification
Power Source		DC 13V (supplied from Monitor)
Power Consumption		DC 13V, 0.17A
Display Input		1Vp-p/75, Composite CCIR/EIA, PAL/NTSC
Minimum Illuminance		0.1 Lux (B/W) / 3 Lux(Color)
Environment	Temperature	-10° C ~ 40° C
	Humidity	Below 90% (relative)
Size	Dimension	91.5W x132.5H x18D(mm) / 3-3/5W x5-1/5H x5/7D(Inches)
	Weight	0.2kg / 0.44 lbs
Installation		Flush Mount Type

※ The depth of camera on the table indicates from wall surface after installation

Enterview Muliti (Multi Camera)

Remark		Specification
Power Source		DC 12V
Power Consumption		DC 12V, 0.3A
Display Input		1Vp-p/75, Composite CCIR/EIA, PAL/NTSC
Minimum Illuminance		0.1 Lux (B/W) / 3 Lux(Color)
Environment	Temperature	-10° C to +40° C
	Humidity	Below 90% (relative)
Size	Dimension	123W x308H x18D(mm) / 4-5/6W x12-1/8H x5/7D(Inches)
	Weight	1kg / 2.2 lbs
Installation		Flush Mount Type

※ The depth of camera on the table indicates from wall surface after installation

Technical Helpline - 0121 786 1881

Memo
