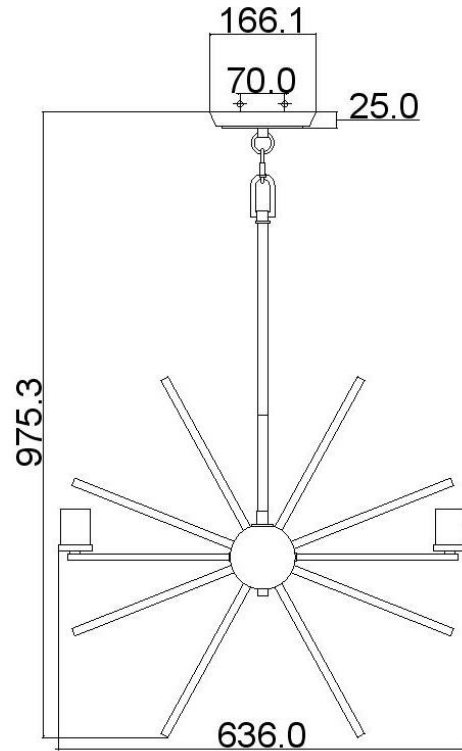


BRAND: CARNEGIE
STYLE: 6LT CHANDELIER


1. Item Code	QZ/CARNEGIE6	23. Maximum Drop	1604
2. Drawing No.	QZUPCN5006IS REV-A carnegie uptown	24. Adjustable?	YES – Height Adjustable
3. Tested?	No	25. Shade/Glass Material	N/A
4. Final Sign-off Sample Done?	No	26. Shade Width (mm)	N/A
5. Category	INDOORS	27. Shade Height (mm)	N/A
6. Type	CHANDELIER	28. Shade Depth (mm)	N/A
7. Finish	IMPERIAL SILVER	29. Size of Back-Plate/Ceiling Rose (mm)	166.1 X 166.1 X 25
8. IP Rating	N/A	30. Main Material	STEEL
9. Class	I	31. Power Cable Colour	Silver
10. Voltage	240V	32. Power Cable Length (mm)	Supplied with enough for Max drop
11. Wattage (1)	6 X 60W	33. Chain Length (mm)	N/A
12. Wattage (2)	N/A	34. Rod Length (mm)	2 x 305mm, 2 x 152mm
13. Lamp Holder Type (1)	6 X E27	35. PIR	NO
14. Lamp Holder Type (2)	N/A	36. Switch Type and location	N/A
15. No. of Lamps	6	37. Connection Method	Terminal Block
16. Lamp Supplied	Yes – 60w Filament Lamps	38. Plug Type	N/A
17. Dimmable?	Not With Lamp Supplied	39. Plug Colour	N/A
18. Lumen Output & Colour Temp	N/A	40. Product Weight (kg)	5.7
19. Overall Width/Diameter (mm)	636	41. Carton Dimensions (mm)	680 x 600 x 200
20. Overall Height (mm)	975.3 (As Shown)	42. Carton Weight (kg)	7.3
21. Overall Depth (mm)	636	43. Notes 1	
22. Minimum Drop	690	44. Notes 2	