

This document must be retained for future reference.

It is the responsibility of the person installing the electrical equipment to ensure that the installation meets the requirements of the IET wiring regulations and is therefore 'fit for purpose'. Factors such as correct selection of components, cable sizing, protective devices and Earth bonding are all critical and should be checked prior to full testing and power-up. Any other regulations applicable to the equipment being installed such as the Machinery Directive and current health and safety legislation must also be adhered to.

All connections (including factory made) must be checked for the correct tightness prior to commissioning of the electrical installation. All connections should also be inspected periodically to ensure correct tightness.

DO NOT USE POWER TOOLS ON THESE PRODUCTS



Enclosed Switch Disconnectors (Boxed Isolators)

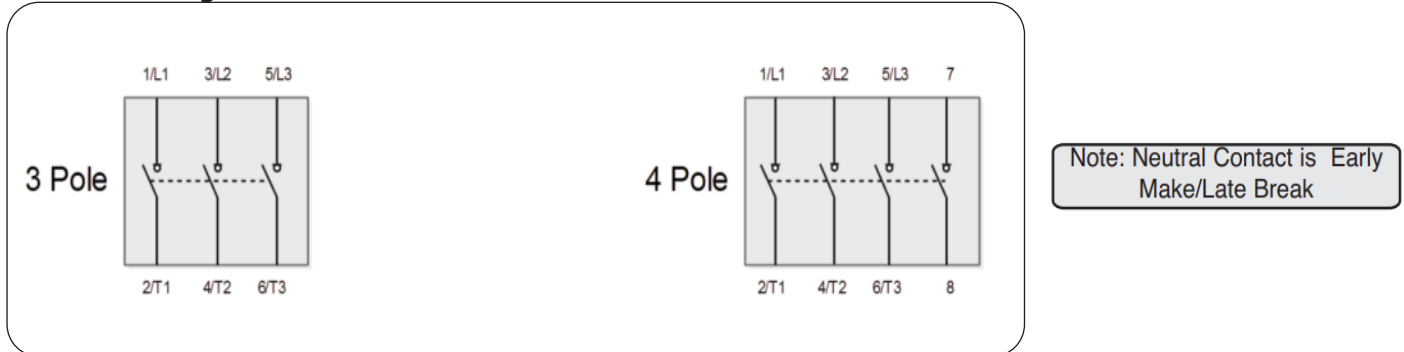
Technical Data: LB100, 1254P / 3PSN AC-21

Data		Range	Units	LB1004P LB1003PSN	LB1254P LB1253PSN
Rated Operational Voltage Ue					
IEC & EN		Volts	V	690	690
UL		Volts	V	600	600
Main Switch: Isolating Voltage up to		Volts	V	750	750
Rated Impulse Withstand Voltage Uimp		Volts	kV	6	6
Rated Uninterrupted Current Iu		Amps	A	100	125
Rated Operational Current Ie					
IEC & EN	AC-22A	Up to 690V	A	100	125
	AC-21A	Up to 690V	A	100	125
	AC-1	Up to 690V	A	100	125
Rated Operational Power AC-23A (50-60Hz)					
IEC & EN	3 Phase	220-240V	kW	45	55
		380 - 440V	kW	55	75
		500 - 690V	kW	90	90
Rated Operational Power AC-3 (50-60Hz)					
IEC & EN	3 Phase	220-240V	kW	37	45
		440V	kW	45	55
		690V	kW	55	55
UL Power Rating					
DOL	3 Phase	120V	hp	7.5	7.5
		240V	hp	20	30
		480V	hp	30	40
		600V	hp	40	50
	1 Phase	120V	hp	3	3
		240V	hp	7.5	7.5
UL Short Circuit Ratings					
Fuse rating, class J		Amps	A	70	125
Fuse rating, class RK5		Amps	A	-	-
Rated Fused short circuit current		Amps	kA	10	10
Short Circuit Capacity (IEC)					
Max Fuse Size (Type gL)		Amps	A	63	125
Rated Fused Short Circuit Current		Amps	kA	30	30
Terminal Specification					
Single/ Multiple Strand Wire			Min-mm ²	2.5	2.5
			Max-mm ²	50	50
Fine Strand with Sleeve			Min-mm ²	4	4
			Max-mm ²	50	50
American Wire Gauge			AWG	1	1
Recommended Tightening Torque			Nm	2.5	2.5

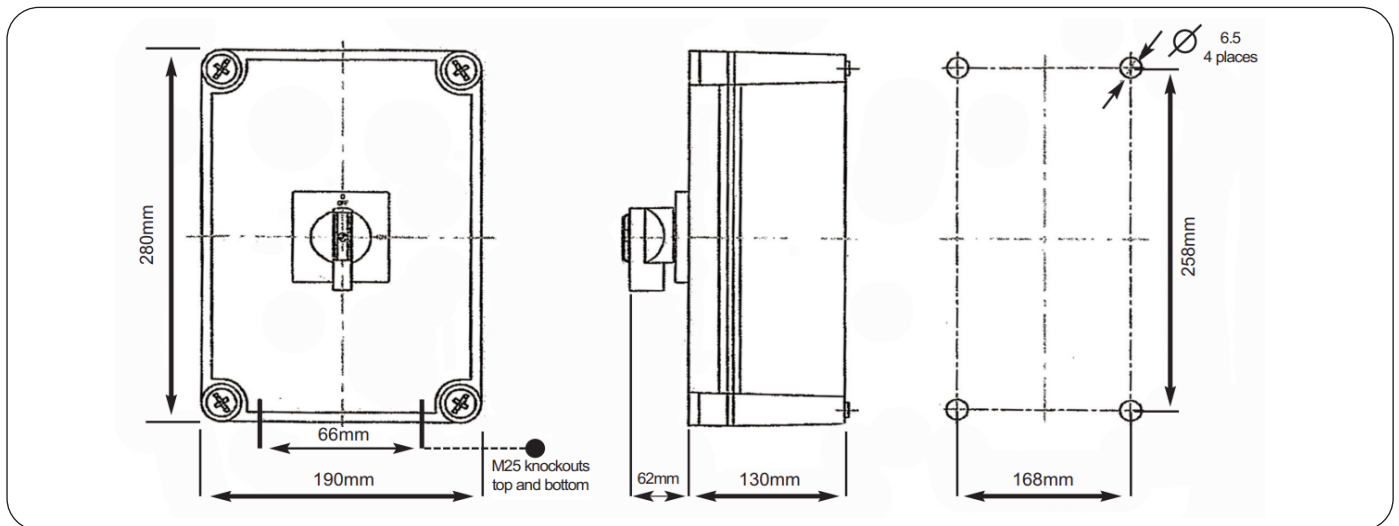
Enclosed Switch Disconnectors (Boxed Isolators)

Technical Data: LB100, 1254P / 3PSN AC-21

Terminal Configuration



Mounting Details



Dismantling the Cover

Procedure to dismantle the cover:

- Ensure the switch is in the OFF position
- Unscrew the cover screws & remove the cover
- For easy wiring the switch can be removed from the base and then clicked back into place once wiring is complete
- After wiring ensure the profile orientation of the actuating spindle & knob shaft are in the same position
- Replace the cover & take care not to overtighten the screws (recommended tightening torque 1.5 Nm)
- Do not install using power driven screwdrivers