

⚠ Important Safety Notice ⚠

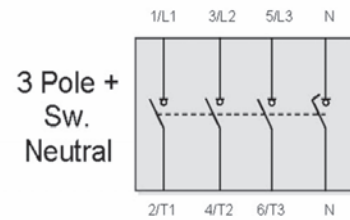
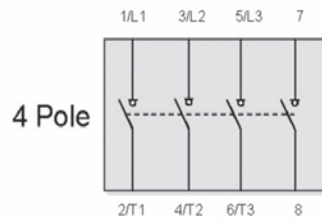
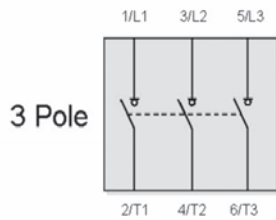
It is the responsibility of the person installing the electrical equipment to ensure that the installation meets the requirements of the IET wiring regulations and is therefore 'fit for purpose'. Factors such as correct selection of components, cable sizing, protective devices and Earth bonding are all critical and should be checked prior to full testing and power-up. Any other regulations applicable to the equipment being installed such as the Machinery Directive and current health and safety legislation must also be adhered to.

Terminals, including factory fitted, should be checked periodically to ensure correct tightness.



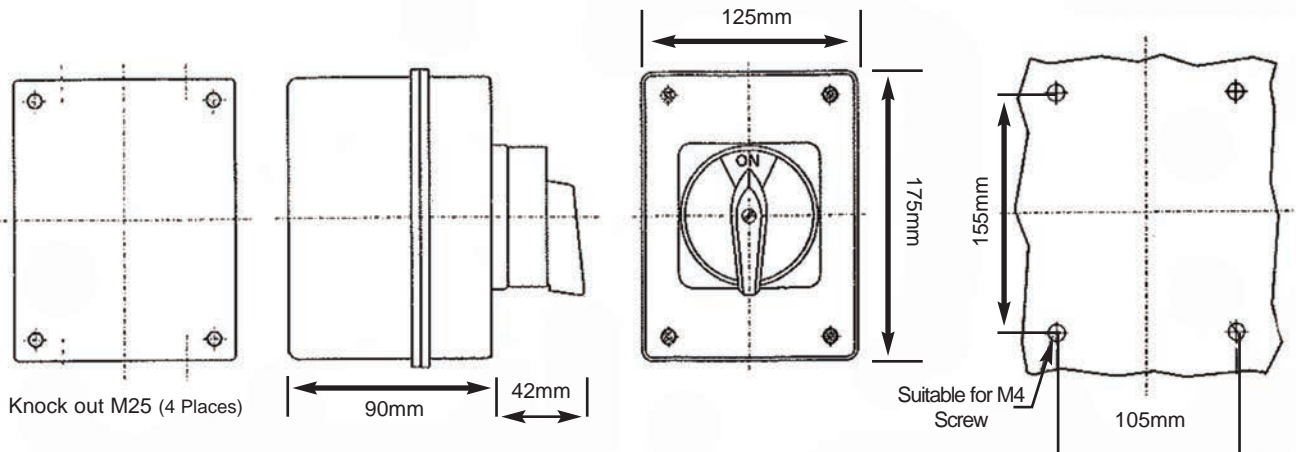
Approvals			CB, CE & SEMKO					
UL Standard			UL508					
International / European Standard			IEC & EN 60947-1 and 3					
			Switch codes					
DATA	Range	Units	LB254PBB LB253PSNBB	LB324PBB LB323PSNBB	LB404PBB LB403PSNBB	LB633P LB634P LB633PSN	LB803P LB804P LB803PSN	
Rated operational voltage Ue								
IEC & EN	Volts	V	690	690	690	690	690	
UL	Volts	V	600	600	600	600	600	
Main switch: Isolating voltage up to	Volts	V	750	750	750	750	750	
Rated impulse withstand voltage Uimp	Volts	kV	6	6	6	6	6	
Rated uninterrupted current Iu	Amps	A	20	25	32	40	63	
Rated operational current Ie								
IEC & EN	AC-22A	Up to 690V	A	20	25	32	40	63
	AC-21A	Up to 690V	A	25	32	40	63	80
	AC-1	Up to 690V	A	25	32	40	63	80
Rated operational power AC-23A (50-60Hz)								
IEC & EN	3 Phase	220-240V	kW	7.5	11	15	22	30
		380 - 440V	kW	11	15	18.5	30	37
		500 - 690V	kW	15	22	22	45	45
Rated operational power AC-3 (50-60Hz)								
IEC & EN	3 Phase	220-240V	kW	5.5	7.5	11	15	22
		440V	kW	7.5	11	11	18.5	22
		690V	kW	11	15	15	30	30
UL Power Rating								
DOL	3 Phase	120V	hp	1.5	3	3	5	7.5
		240V	hp	3	7.5	7.5	10	15
		480V	hp	7.5	15	20	20	25
	1 Phase	600V	hp	10	20	25	30	30
		120V	hp	0.5	1.5	2	3	3
		240V	hp	1.5	2	3	5	7.5
UL Short Circuit Ratings								
Fuse rating, class J	Amps	A	-	45	45	70	70	
Fuse rating, class RK5	Amps	A	20	-	-	-	-	
Rated Fused short circuit current	Amps	kA	10	10	10	10	10	
Short Circuit Capacity (IEC)								
Max fuse size (Type gl)	Amps	A	20	32	32	63	63	
Rated Fused short circuit current	Amps	kA	5	30	30	30	30	
Terminal Specification								
Single/ Multiple strand wire	Min-mm ²		2.5	2.5	2.5	2.5	2.5	
	Max-mm ²		10	10	10	16	16	
Fine strand with sleeve	Min-mm ²		0.75	0.75	0.75	2.5	2.5	
	Max-mm ²		6	6	6	10	10	
American wire gauge	AWG		10	10	10	6	6	
Recommended Tightening Torque	Nm		1.7	1.7	1.7	2.0	2.0	

Terminal Configuration



Note: Neutral Contact is Early Make/Late Break

Mounting Details



Dismantling the Cover

Procedure to dismantle the cover:

- Ensure the switch is in the **OFF** position
- Unscrew the cover screws & remove the cover
- For easy wiring the switch can be removed from the base by simply removing the two fixing screws
Once wiring is completed replace the switch and secure in position with the fixing screws
(taking care not to over tighten - recommended tightening torque 0.5 Nm)
- After wiring ensure the profile orientation of the actuating spindle & knob shaft are in the same position
- Replace the cover & take care not to overtighten the screws (recommended tightening torque 0.5 Nm)
- Do not install using power driven screwdrivers

Please Note: There is no need to remove the switch handle in order to remove the cover.