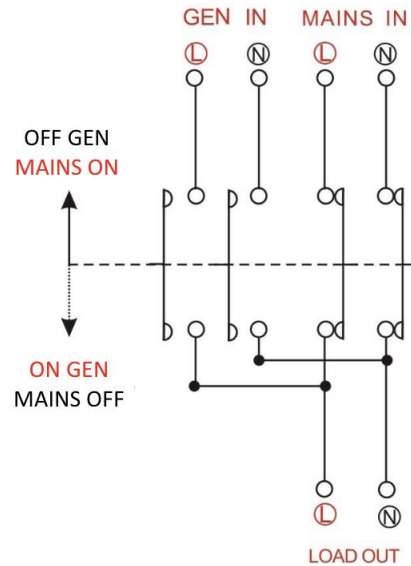


1 Technical information

Rating (A)	125A/ AC22A
Number of Poles	1P+N
Voltage(V) Ue	230V/50Hz
IP RATING	IP20 EN 60529
Short Circuit Withstand (Icw)	12Ie, 1s rated short time withstand
Torque (switch terminals)	2.5Nm
Maximum cable	35mm ²
Knockouts	1x25mm / 1x32mm TOP & BOTTOM
Dimensions (mm)	H 260 x W 156 x D 94
Finish	RAL 9001 epoxy powder coated
Switch CO125 Complies with	IEC EN 60947-3
Padlock facility	YES

1a Wiring diagram



SAFETY

Switch must be installed by a qualified electrician in accordance with the current IET Wiring Regulations BS 7671. Total load must not exceed the rating of the switch or any additional limitation.

2 Installation

- 2a Remove minimum appropriate knockouts on the base of the enclosure with a punch, in order to maintain the IP rating and fire containment of the enclosure we recommend glands are used.
- 2b Remove front cover (2 screws).
- 2c Fix base securely to wall with 3 screws and rawl plugs as appropriate and remove any debris from inside the enclosure.
- 2d Route incoming cables to desired positions.
- 2e Cut, dress and connect cables as shown in the **wiring diagram (1a)**.
- 2f **Earth cable** (in accessory pack) must be fitted between base (earth terminal bar) and front cover earth stud.

3 Connections

- 3a **Before fitting the front cover check all connections are TORQUED. Loose connections cause fires!!!!**
- 3b Re-fit front cover.

4 Testing

- 4a On completion of the installation, it must be tested in accordance with the latest edition of the IET Wiring Regulations for Electrical Installations (BS 7671).



Environment

WASTE ELECTRICAL PRODUCTS SHOULD NOT BE DISPOSED OF IN HOUSEHOLD WASTE. CONTACT YOUR RETAILER OR LOCAL AUTHORITY FOR RECYCLING INFORMATION.



FuseBox



www.fusebox.co.uk



FuseBox®