


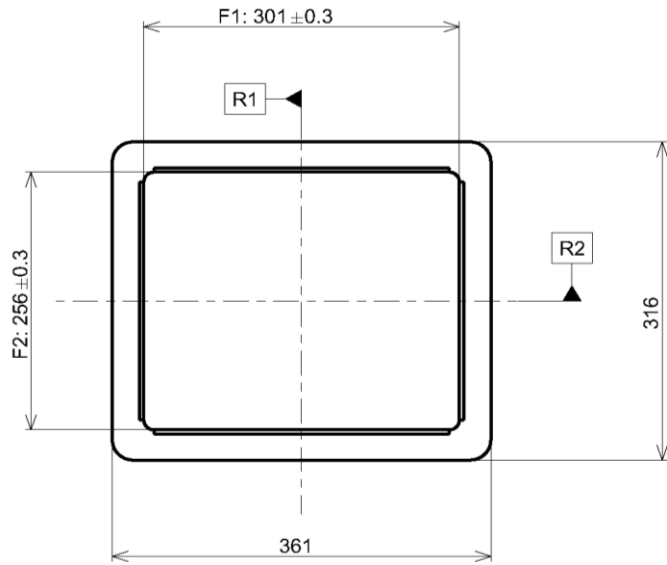


	FLUSH MOUNTING FRAME				
	10P	14P	18P	24P	
FRAME FOR MODULAR ENCLOSURE					
PART NUMBER	AFMF10	AFMF14	AFMF18	AFMF24	
GTIN-13	5060523525607	5060523524365	5060523524372	5060523524389	
INNER CARTON QUANTITY	1	1	1	1	
OUTER CARTON QUANTITY	10	10	10	10	
DIMENSIONS (HxWxD)mm	316x290x30	316x361x30	316x433x30	316x541x30	
WEIGHT (1PC) Kg	0.9	1	1.2	1.4	
	<p>Designed to fit around the base of a FuseBox consumer unit allowing it to be flush mounted or semi-recessed depending on installation.</p> <p>Installation</p> <p>AFMF Flush mounting frame should be secured to the wall with 4 of no.10 wood screws.</p> <p>AFMF frame must be fitted and secured to the wall before consumer unit base is inserted.</p> <p>The consumer unit base should sit proud of the wall by 12mm (minimum) so the front cover can be fitted.</p> <p>Consumer unit base should be fixed to the wall using 4 screws.</p> <p>The Flush mounting frame is NOT fixed to the base of the consumer unit!</p> <p>Alternatively the flush fit frame can be fixed to the surrounding wall with adhesive!</p>				
MATERIAL	2mm ELECTRO GALVANISED STEEL (ZINC)				
FINISH	RAL 9001 POWDER COATED SMOOTH FINISH				
ORIGIN OF MANUFACTURE	CHINA				

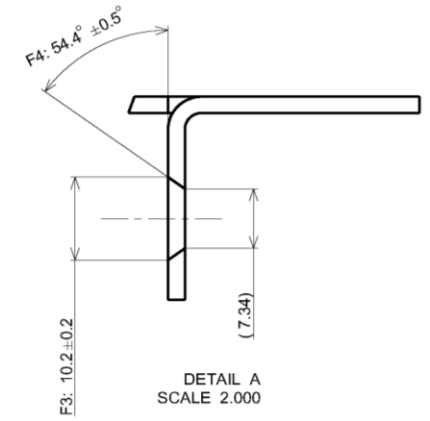
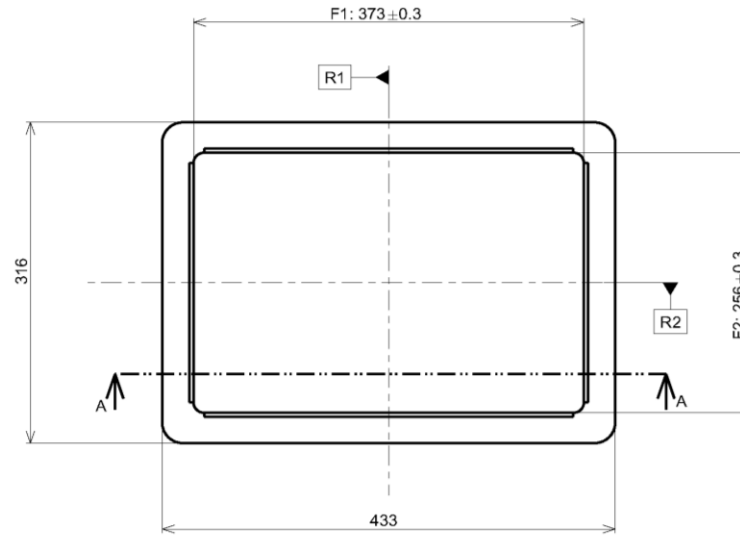
FUSEBOX 2022 F2 SERIES AFMF FLUSH FIT FRAME TECHNICAL DATA

DIMENSIONS

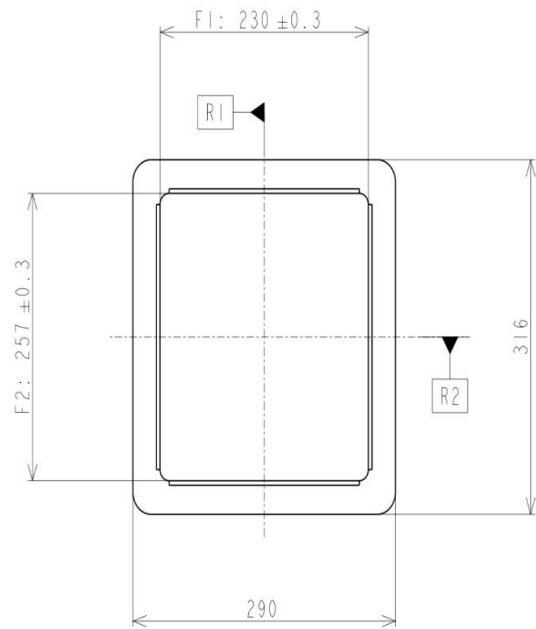
AFMF14



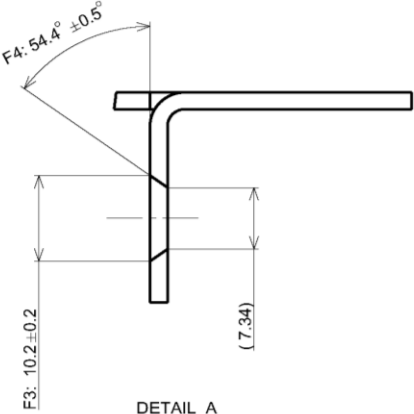
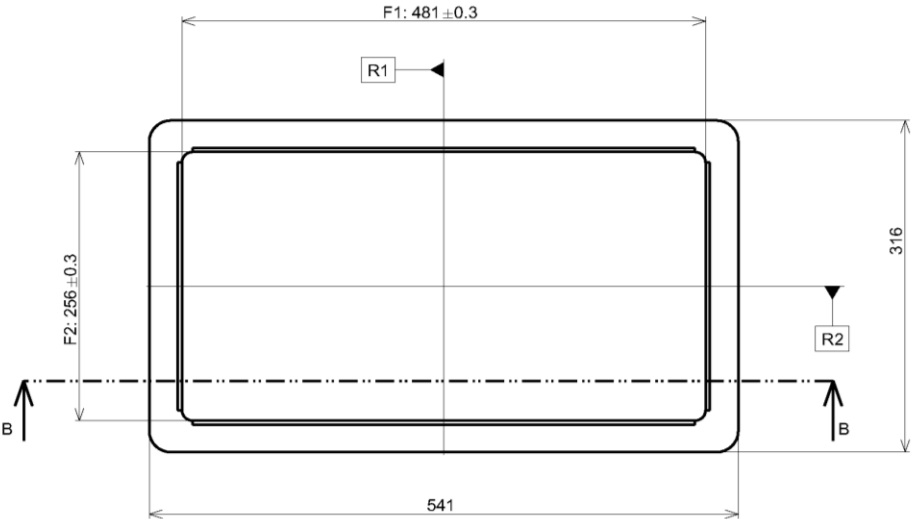
AFMF18



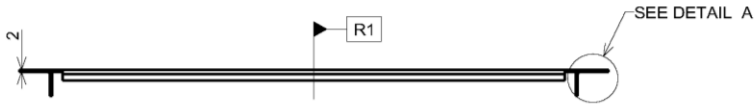
AFMF10



AFMF24



DETAIL A
SCALE 2.000



SECTION B-B

