

Grid Slave Switch

WMGSD1S, Grid Slave Switch 220V-240V

WMGSD1S slave push buttons are only for use with the HAGER SOLLYSTA Grid dimmers (WMDGS1S, WMDGS1L and WMDGS1T).

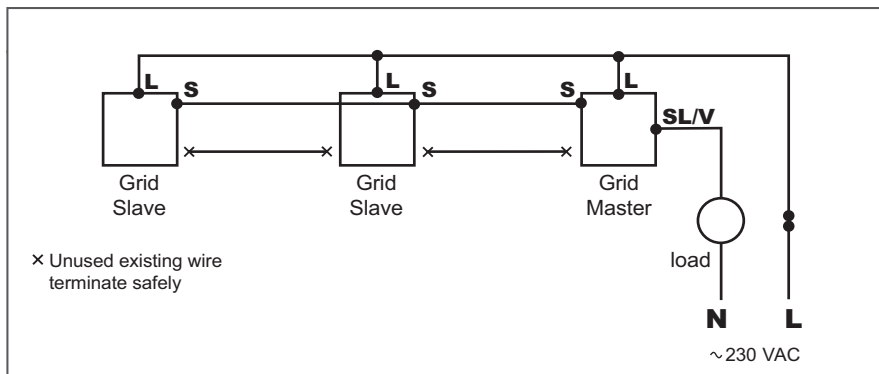
WMGSD1S are normally open (push to make) push buttons. They can be used as slave switches to operate a HAGER SOLLYSTA Grid Dimmers (as indicated above) to dim lights from several locations.

WMGSD1S slave push buttons require a 35mm (minimum) deep wall box.

Installation procedure

Please refer to the circuit diagrams overleaf and the installation notes accompanying the master switch before commencing work.

In case of doubt please consult a qualified electrician.
Make sure the power is isolated from the circuit.



Troubleshooting:

Slave switch does not operate the master switch:

- Ensure slave wiring is less than 10m long.

This dimmer is manufactured in the U.K. and is designed to conform with the standards IEC 669-2-1 and BS EN 55015:1993.

Minimum and maximum loads are quoted on the back of the dimmer.

For UK customers only:

National Technical Help Line - 0870 6076677

Hager Limited, Hortonwood 50, Telford, Shropshire, TF1 7FT

E-mail: sales@hager.co.uk Web: www.hager.co.uk

