

# JC71741

## Skypack QR

Skypack QR LED Batten 4ft Single IP20 4000K 23W 2760Lm

### Features & Benefits

- Intelligent press release buttons for simple installation
- Ultra efficient up to 120 lumens per circuit Watt
- Suspended LED tray for easy installation
- Press fit terminals loop in loop out
- Rear and end conduit entry points
- Emergency and microwave dimmable and on/off and PIR options
- 2 years standard warranty extends to 5 years when registered within the first year of purchase (See Website for terms and conditions)
- This product contains a light source of energy efficiency class E



### General Information

Mounting	<b>Surface Mounted</b>
Trade Name	<b>Skypack™ QR</b>
Environment	<b>Indoor</b>
Product Group	<b>LED - Surface</b>
Color Finish	<b>White</b>
Product Shape	<b>Rectangular</b>
Product Range	<b>Skypack™</b>
Overall Dimensions	<b>1220 x 70 x 76.5</b>
Length (mm)	<b>1220</b>
Width (mm)	<b>70</b>
Height (mm)	<b>76.5</b>
Product Weight(kg)	<b>1.37</b>
Light Source	<b>LED</b>
Light Source Features	<b>Neutral White</b>
Recommended product location	<b>Domestic, Commercial and Industrial Applications</b>
Method of fix	<b>Surface with Conduit Entry</b>
IP Rating	<b>IP20</b>
Origin of manufacturer	<b>Made In China</b>
Warranty	<b>5 Year Warranty (See Website for terms and conditions)</b>

Driver manufacturer	JCC
LED manufacturer/type	XINDA
Lighting Product Type 1	Linear Lighting
Customs Tariff code**	9405119090

## Electrical

Voltage Rating	220-240
Primary Running Current(Amp)	0.12
Operating Frequency Hz	50/60Hz
Secondary running current(mA)	550
Constant Current or Constant Voltage	CC
Luminaire Circuit Wattage	23
Class	I
EMC Compliant (EN55015)	Yes
Power Factor Correction	0.9
Input Electrical Connections	Live, Earth & Neutral
Dimmable	No

## Thermals

Operating Temperature Range °C	0-45
--------------------------------	------

## Performance Data

LED Life (Hours)*	54000
Energy Rating	This product contains a light source of energy efficiency class E
Actual Lumen Output	2760
Lumens Per Circuit Watt	120
Color Rendering Index	80-89
CRI: Ra	80
Correlated Color Temperature	4000K
Beam Angle °	120
LOR (Light Output Ratio) %	100
Photometry Available	Yes

## Construction

Primary Material	Steel
Outer Diffuser	Polycarbonate

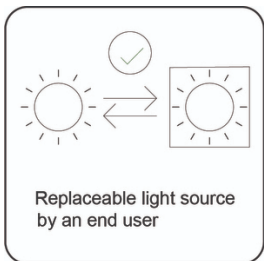
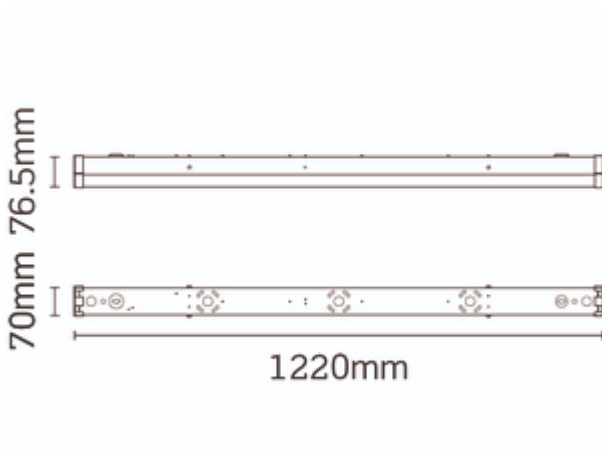
## Packaging

Product Packaged Weight(kg)	1.612
Quantity Per Outer Carton	8
Outer carton(L)- cm	126.5
Outer carton(W)- cm	42.5
Outer carton(H)- cm	21.5

Outer carton Net weight- kg	<b>10.96</b>
Outer carton Gross weight- kg	<b>13.94</b>
Product Bar Code EAN-13 Number	<b>5052544080449</b>
Outer carton Bar Code ITF-14 Number	<b>15052544080446</b>

## Standards & Approvals

Manufactured in accordance to	<b>BS EN 60598:2015, 2-1</b>
CE Marked	<b>Yes</b>
UKCA Marked	<b>Yes</b>
Date code/Purchase order No.	<b>Yes</b>
WEEE symbol	<b>Yes</b>
Certificate Of Conformity	<b>Available on request</b>
Accredited Members	<b>LIA, ISO9001-2015, ISO14001-2015</b>



\*Hours life stated is an indication of expected L70 chip and light output calculations when operating in optimum conditions. Product warranty period supports the full product during the term given. The L70 hours expectancy is not correlated with the full product warranty term, nor is it a representation of lumen depreciation during the warranty period.

\*\*JCC Lighting Limited makes every effort to ensure that the Customs Tariff information in this document is timely and accurate. However, it's not possible for us to assure the absolute veracity and completeness of that information, as errors may occur. The placement of any inaccurate tariff information is completely unintentional. JCC Lighting Limited reserves the right, in its sole discretion, to correct any errors or omissions to the tariff code and to make any and all changes contained in this document at any time and without notice. It is the sole responsibility of the importer to ensure that the commodity code advised is correct for the products/goods being supplied by JCC Lighting Limited. JCC Lighting Limited does not assume any liabilities, losses, costs, and expenses arising out of or related to the importers use of this commodity code or the information related to the import of any JCC Lighting products.

