

# JC71745EM

## Skypack QR Emergency

Skypack QR LED Batten 6ft Single IP20 4000K 56W 6480Lm Emergency



### Features & Benefits

- Intelligent press release buttons for simple installation
- Ultra efficient up to 114 lumens per circuit Watt
- Suspended LED tray for easy installation
- Press fit terminals loop in loop out
- Rear and end conduit entry points
- Microwave dimmable and on/off and PIR options
- 2 years standard warranty extends to 5 years when registered within the first year of purchase (2 years on batteries)(See Website for terms and conditions)
- This product contains a light source of energy efficiency class F



### General Information

Mounting	<b>Surface Mounted</b>
Trade Name	<b>Skypack™ QR</b>
Environment	<b>Indoor</b>
Product Group	<b>LED - Surface</b>
Color Finish	<b>White</b>
Product Shape	<b>Rectangular</b>
Product Range	<b>Skypack™</b>
Overall Dimensions	<b>1828 x 70 x 76.5</b>
Length (mm)	<b>1828</b>
Width (mm)	<b>70</b>
Height (mm)	<b>76.5</b>
Product Weight(kg)	<b>2.459</b>
Light Source	<b>LED</b>
Light Source Features	<b>Neutral White</b>
Recommended product location	<b>Domestic, Commercial and Industrial Applications</b>
Method of fix	<b>Surface with Conduit Entry</b>
IP Rating	<b>IP20</b>
Origin of manufacturer	<b>Made In China</b>

Warranty	<b>5 Year Warranty (2 year on batteries) (See Website for terms and conditions)</b>
Driver manufacturer	<b>JCC</b>
LED manufacturer/type	<b>XINDA</b>
Lighting Product Type 1	<b>Linear Lighting</b>
Lighting Product Type 2	<b>Emergency Lighting</b>
Customs Tariff code**	<b>9405119090</b>

## Electrical

Voltage Rating	<b>220-240</b>
Primary Running Current(Amp)	<b>0.35</b>
Operating Frequency Hz	<b>50/60Hz</b>
Secondary running current(mA)	<b>1400</b>
Constant Current or Constant Voltage	<b>CC</b>
Luminaire Circuit Wattage	<b>56</b>
Class	<b>I</b>
EMC Compliant (EN55015)	<b>Yes</b>
Power Factor Correction	<b>0.9</b>
Input Electrical Connections	<b>Switched Live, Unswitched Live, Earth &amp; Neutral</b>
Dimmable	<b>No</b>

## Emergency Data

Load Voltage(DC)	<b>24-54</b>
LOR % in Emergency Mode	<b>8-12</b>
Minimum Battery run time	<b>3</b>
Recharge Time	<b>12 Hours</b>
Inverter PFC	<b>0.5</b>

## Battery Data

Battery Specification	<b>6.4V 2000mAH LIFEP04</b>
Battery Type	<b>LIFEP04</b>
Nominal battery current	<b>0.35Amp</b>
Charge Current	<b>30-400mA</b>
Recharge Time	<b>12 Hours</b>
Battery Total Weight(kg)	<b>0.05</b>

## Thermals

Operating Temperature Range °C	<b>0-45</b>
--------------------------------	-------------

## Performance Data

LED Life (Hours)*	<b>54000</b>
Energy Rating	<b>This product contains a light source of energy efficiency class F</b>
Actual Lumen Output	<b>6480</b>

Lumens Per Circuit Watt	<b>116</b>
Color Rendering Index	<b>80-89</b>
CRI: Ra	<b>80</b>
Correlated Color Temperature	<b>4000K</b>
Beam Angle °	<b>120</b>
LOR (Light Output Ratio) %	<b>100</b>
Photometry Available	<b>Yes</b>

## Construction

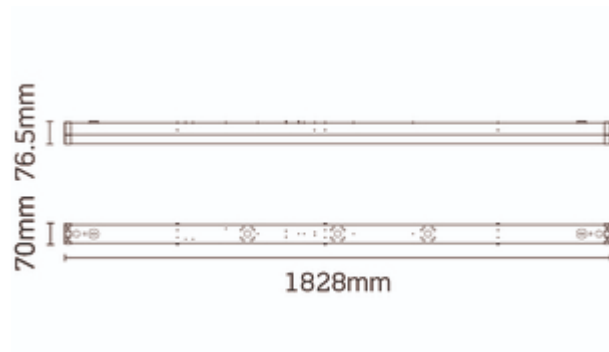
Primary Material	<b>Steel</b>
Outer Diffuser	<b>Polycarbonate</b>

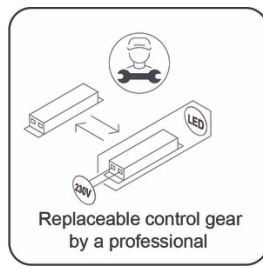
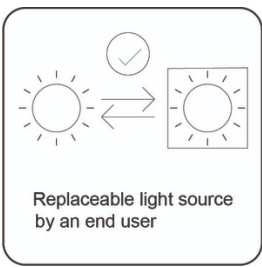
## Packaging

Product Packaged Weight(kg)	<b>2.812</b>
Quantity Per Outer Carton	<b>4</b>
Outer carton(L)- cm	<b>187</b>
Outer carton(W)- cm	<b>22</b>
Outer carton(H)- cm	<b>21.5</b>
Outer carton Net weight- kg	<b>9.84</b>
Outer carton Gross weight- kg	<b>12.24</b>
Product Bar Code EAN-13 Number	<b>5052544080531</b>
Outer carton Bar Code ITF-14 Number	<b>15052544080538</b>

## Standards & Approvals

Manufactured in accordance to	<b>BS EN 60598:2015, 2-1, 2-22</b>
CE Marked	<b>Yes</b>
UKCA Marked	<b>Yes</b>
Date code/Purchase order No.	<b>Yes</b>
WEEE symbol	<b>Yes</b>
Certificate Of Conformity	<b>Available on request</b>
Accredited Members	<b>LIA, ISO9001-2015, ISO14001-2015</b>





\*Hours life stated is an indication of expected L70 chip and light output calculations when operating in optimum conditions. Product warranty period supports the full product during the term given. The L70 hours expectancy is not correlated with the full product warranty term, nor is it a representation of lumen depreciation during the warranty period.

\*\*JCC Lighting Limited makes every effort to ensure that the Customs Tariff information in this document is timely and accurate. However, it's not possible for us to assure the absolute veracity and completeness of that information, as errors may occur. The placement of any inaccurate tariff information is completely unintentional. JCC Lighting Limited reserves the right, in its sole discretion, to correct any errors or omissions to the tariff code and to make any and all changes contained in this document at any time and without notice. It is the sole responsibility of the importer to ensure that the commodity code advised is correct for the products/goods being supplied by JCC Lighting Limited. JCC Lighting Limited does not assume any liabilities, losses, costs, and expenses arising out of or related to the importers use of this commodity code or the information related to the import of any JCC Lighting products.

---

JCC Lighting LTD, Lux Park, Chichester Business Park, City Fields Way, Tangmere, Chichester, West Sussex, PO20 2FT.  
Sales: 01243 838999 (8am to 5pm Monday to Friday) Fax: 01243 838998 | [sales@jcc.co.uk](mailto:sales@jcc.co.uk) | [www.jcc.co.uk](http://www.jcc.co.uk)  
Company Registration Number: 03044848 | VAT Number: 918544112

This document is uncontrolled if printed, all information is subject to change

Version 250 [26/09/2024]