

Coria Lantern Range

Lanterns



Data Sheet

Product Information

The Coria E27 lantern Range are a Traditional style lantern range available in 3 different versions.

With its variety of options this lantern range is perfect for domestic and external applications

Product Features

- 1 year warranty
- Class I
- IP44
- Suitable for use with E27 23w Max lamps
- Suitable for use with E27 LED lamps



Product Specification

| Product Code | Product Description | Wattage (W) | Lamp Cap | Lumens (lm) | CRI (Ra) | Energy Efficiency Class | Protection Class |
|--------------|----------------------------------|-------------|----------|-------------|----------|-------------------------|------------------|
| KSR9900 | Coria E27 Downwards Wall Lantern | 23w max | E27 | Varies | Varies | Lamp Dependant | I |
| KSR9901 | Coria E27 Upwards Wall Lantern | 23w max | E27 | Varies | Varies | Lamp Dependant | I |
| KSR9903 | Coria E27 Pillar Lantern | 23w max | E27 | Varies | Varies | Lamp Dependant | I |

| | |
|---------------------|--------------|
| Nominal voltage | 220~240VAC |
| Operating frequency | 50-60Hz |
| Circuit Power | 23w Max |
| Temperature Range | 0°c to 30 °c |
| IP rating | 44 |

Construction

Body: Cast Aluminium
Diffuser: Clear Glass

Standards

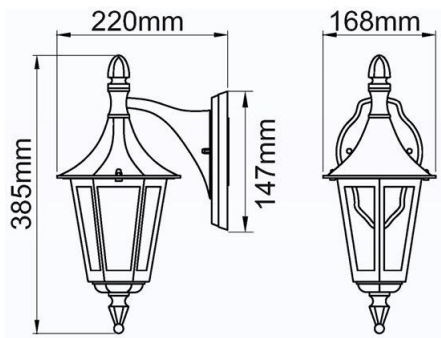
BSEN60598-1:2021 Luminaires – Part 1: General requirements and tests

In Conformity with

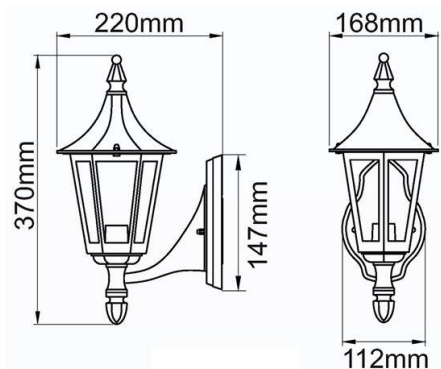
LVD Low voltage directive 2014/35/EU
RoHS Restriction of hazardous substances 2015/863/EU

Product Dimensions

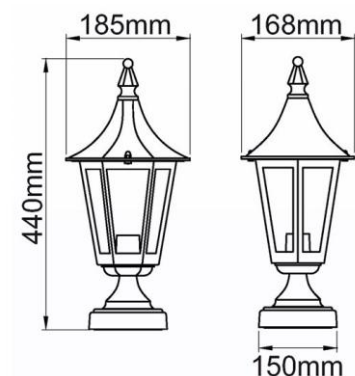
KSR9900



KSR9901



KSR3316



KSR Lighting is constantly developing and improving its products. For this reason, all product descriptions in this data sheet are intended as a general guide, and KSR may change specifications from time to time in the interest of product development, without prior notification or public announcement. All descriptions in this data sheet present only general particulars of the goods to which they refer and shall not form part of any contract. Data in this guide has been obtained in controlled experimental conditions. However, KSR Lighting cannot accept any liability arising from the reliance on such data to the extent permitted.