

# KSRFRD400, 410 & 415 Qr GU10 Range

Fire Rated Downlights & Bezels



## Product Information

The **FireBreak Qr GU10** range of downlights are the perfect for any area, including bathrooms using the optional **IP65 bezel**. Included in the range are **IP20 standard** or **Tilttable** versions that are ideal for wall washing or highlighting areas. **Baffled versions** are perfect for accent lighting with low glare but still a good output. Suitable for the **KSRLP960 – KSRLP963**, 6W dimmable GU10 LED Lamps by KSR Lighting

## Product Features

- 1 year warranty
- Class I
- 10W GU10 LED lamp maximum
- IP20 or IP65 downlights (IP20 if used with KSRFRD416 & 418)
- IP20 Tilttable downlights
- Baffle Bezels available
- Fully tested for 30, 60 and 90 minute fire rated ceilings (except if used with KSRFRD416 & 418)
- 8 colour bezel options
- Bezel and body purchased separately to save stock holding
- Lamp not supplied
- Ensure the LED lamp is suitable for use in enclosed cans
- Suitable for KSRLP960 – KSRLP963

Nominal voltage  
Operating frequency

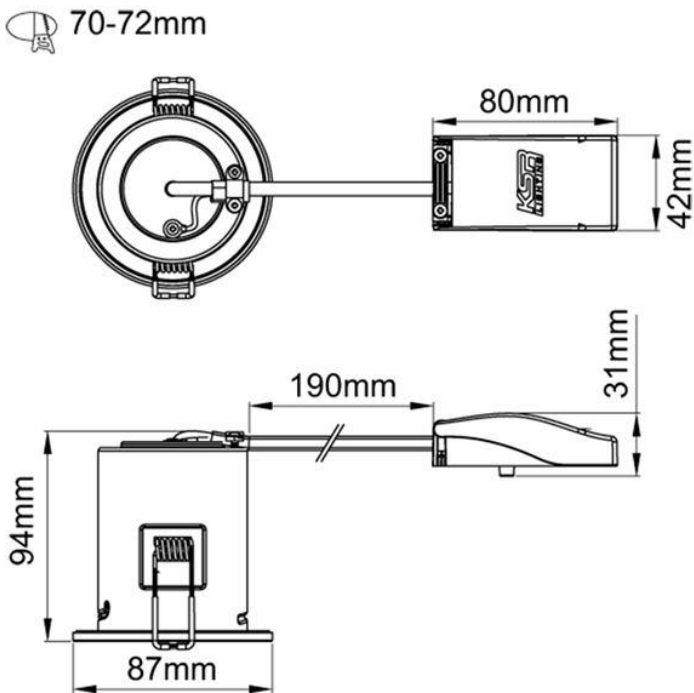
220~240V  
50-60Hz

## Construction

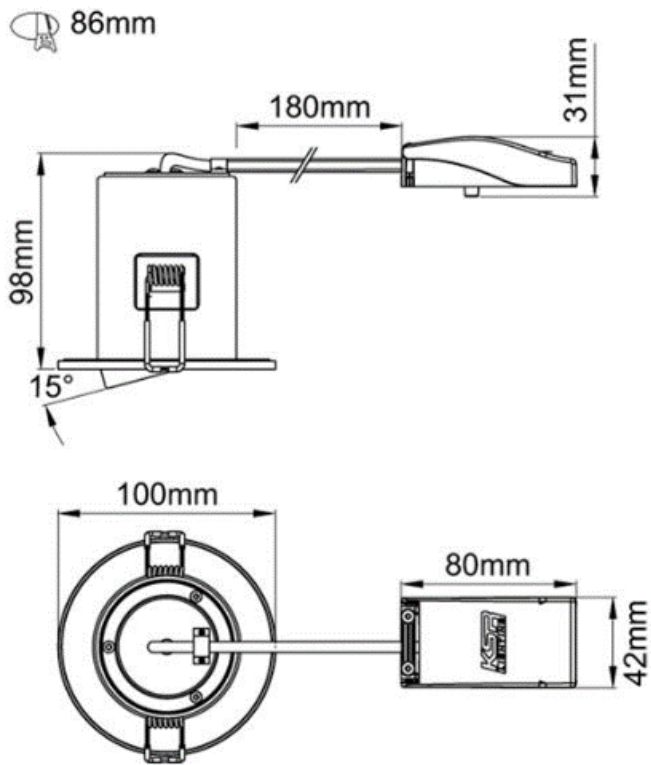
Body Steel Body  
Bezel Polycarbonate and Aluminium for Tilt versions.

## Product Dimensions

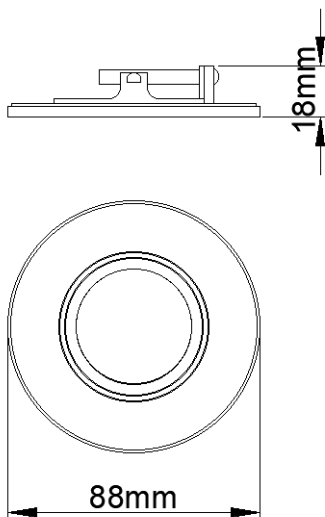
### KSRFRD400



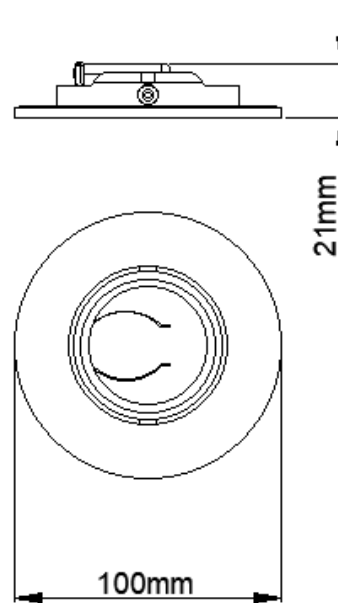
**KSRFRD410**



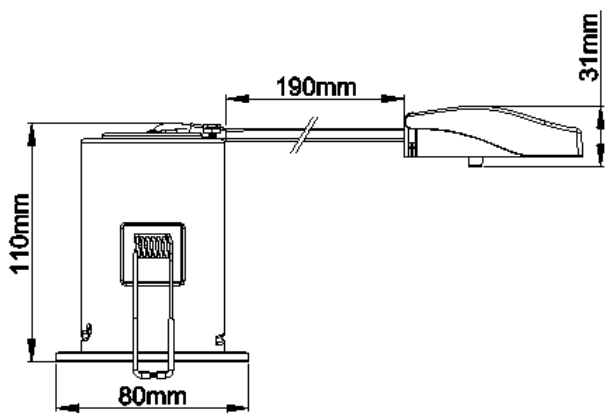
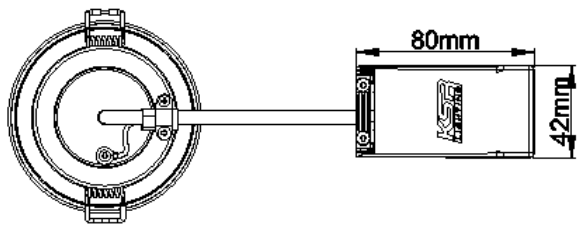
**KSRFRD401-03/404-406/407-09/419-421**



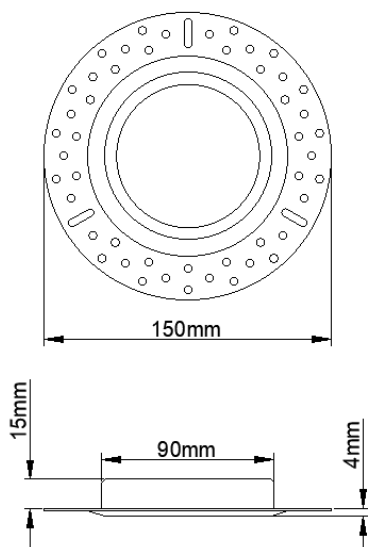
**KSRFRD411-14/417**



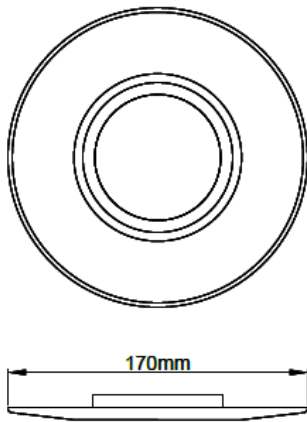
**KSRFRD415**



**KSRFRD416**



**KSRFRD418**



KSR Lighting is constantly developing and improving its products. For this reason, all product descriptions in this data sheet are intended as a general guide, and KSR may change specifications from time to time in the interest of product development, without prior notification or public announcement. All descriptions in this data sheet present only general particulars of the goods to which they refer and shall not form part of any contract. Data in this guide has been obtained in controlled experimental conditions. However, KSR Lighting cannot accept any liability arising from the reliance on such data to the extent permitted.