

Available finish:- Anthracite Only

Read these instructions before commencing installation. Please give these instructions to the owner/occupier after installation to retain for future reference/maintenance.

IP65 IK07 240VAC~50Hz

These fittings are Class I and must be Earthed

**Important Information**

It is recommended that these luminaires are installed and fitted by a qualified electrician ensuring the installation complies with current wiring regulations & local building control. These products are designed for connection to a 240VAC~50Hz supply. Any faulty, broken or damaged luminaires should be replaced immediately. KSR will not accept responsibility for any claims arising from a poor installation. Please Note: The limited warranty shall be deemed null and void in the following circumstances: Failure by the installer, end user or any third party to exercise caution to protect any covered product or part from outside damage, humidity conditions, fluctuations in the electrical system or physical abuse as well as failure related to workmanship in the installation of the products or parts.

**Important User Advice**

Always safely isolate the mains supply before installing/servicing. Please note this luminaire is Non Dimmable. General maintenance and cleaning should be performed at least quarterly. Clean product outer using a damp cloth, the glass can be cleaned with hot soapy water, dried and buffed to a shine. Protection from exposure to natural elements in the form of a non-abrasive water repellent protection (car wax). Grease screws and nuts with a suitable waterproof repellent will ensure the product gives you a long lasting trouble free life/finish. At the end of life the luminaire is classed as WEEE under directive 2014/30/EU and should be disposed of in accordance with local legislation.

**Installation Procedure**

Ensure mains supply is turned off. Offer the fitting over the intended pole and ensure it is fully in place so that all the bolts can be properly located & tightened, tighten to the correct torque setting (16NM). connect the supplied 300mm cable directly to the mains or if you need to extend, please do so ensuring the correct cable and appropriate in-line connector are used. Turn on the mains power and test.

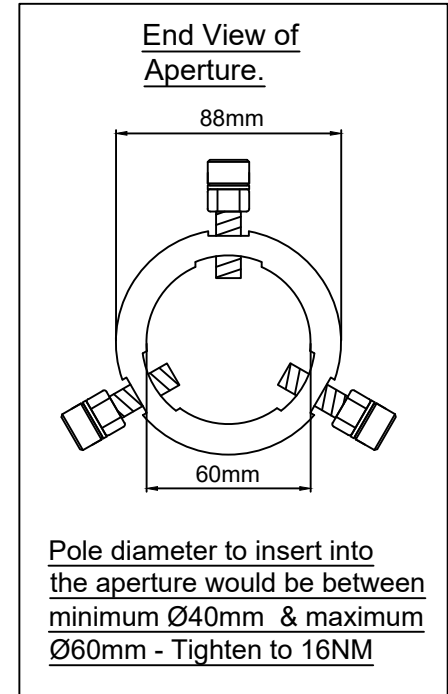
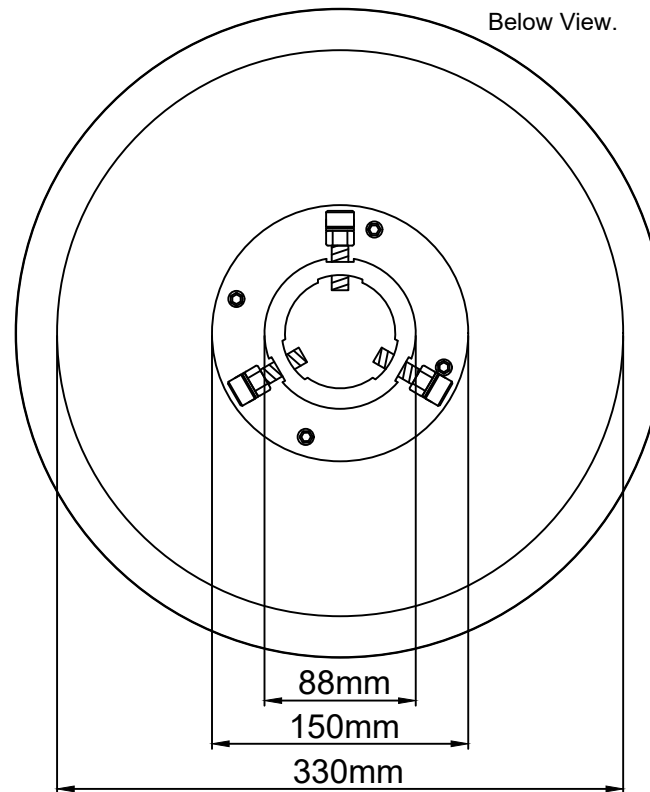
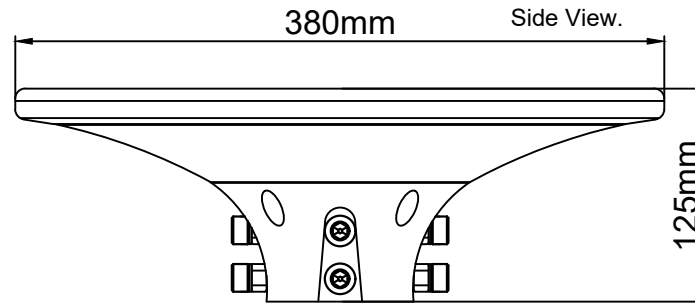
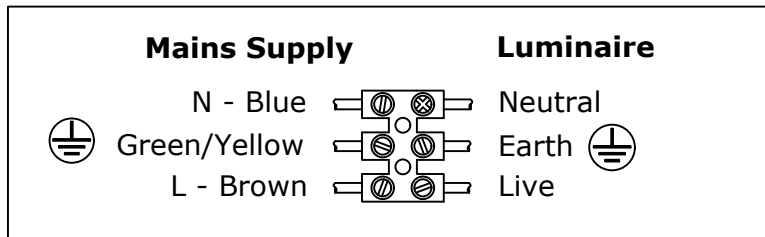


Fig.1



Fitting Details - 80W LED				
Product Code	Lumens & CRI		97 Deg Beam	
	4000K		Class I	IP65
KSR99115	8235lm	83	Weight = 2.1kg	



This product contains a light source of energy efficiency class E  
The Control Gear in this product can be replaced by a professional.

KSR Lighting Aftersales: 023 92 674343  
E-mail: aftersales@ksrlighting.com

KSR Lighting Ltd, Optimum House, Beeding Close, Southern Cross Trading Estate, Bognor Regis, West Sussex, PO22 9TS.

Drg No. KSR99115-IS-A