

Firebreak QR LED Retro-Fit Rings

Fire Rated Downlights



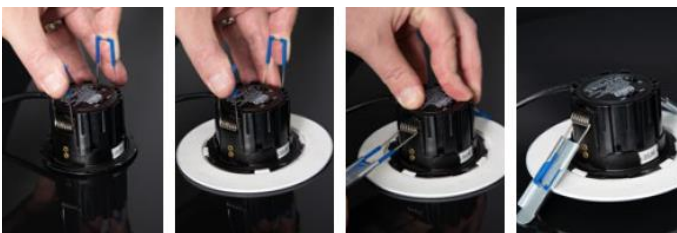
Data Sheet

Product Information

The FireBreak Qr range of Retro-fit Rings are the perfect solution for retro fitting the Qr Firebreak downlights in any area, with 3 sizes available covering 90mm – 150mm cut outs & up to 170mm overall diameter for the largest.

Product Features

- 1 year warranty
- For use with Qr Firebreak Downlights (KSRFRD385, 386 & 387)
- 3 Sizes available up to 170mm Diameter.
- IP20
- White Finish Only



Product Specification

Product Code	Product Description	Overall Diameter	Centre hole Diameter	Thickness	Cut out (Diameter)	Finish	Protection Class
KSRFRD377	Firebreak Qr LED Retro-Fit Rings Small	100mm	38mm	3.5mm	90mm	White	N/A
KSRFRD378	Firebreak Qr LED Retro-Fit Rings Medium	135mm	38mm	3.5mm	100mm – 120mm	White	N/A
KSRFRD379	Firebreak Qr LED Retro-Fit Rings Large	170mm	38mm	3.5mm	110mm – 150mm	White	N/A
For use with							
KSRFRD385	Qr Select Dual Fire Rated Quad CCT Dual wattage Dimmable LED Downlight						
KSRFRD386	Qr Dual Pro Fire Rated Quad CCT Dual wattage Dimmable LED Downlight						
KSRFRD387	Firebreak Qr Pro Select Baffle Dual Wattage 4CCT Downlight						

Notes

Even though these are used with a Fire & IP Rated product it will no longer continue to be Fire Rated and only be IP20 rated.

Construction

Shade: Aluminium

Standards

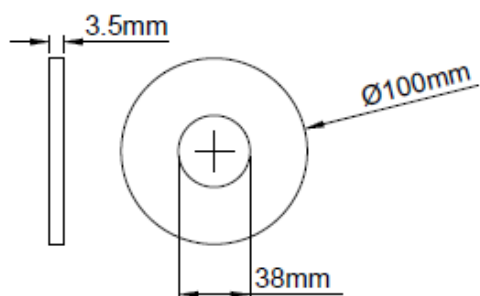
BSEN60598-1:2021 Luminaires – Part 1: General requirements and tests

In Conformity with

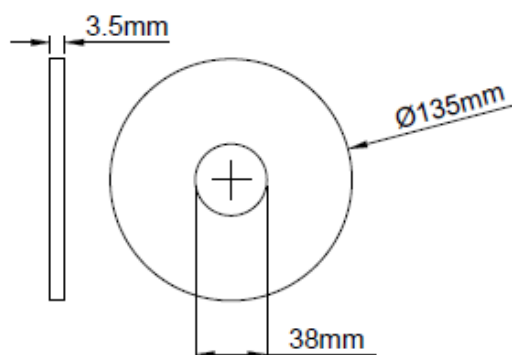
RoHS Restriction of hazardous substances 2015/863/EU

Product Dimensions

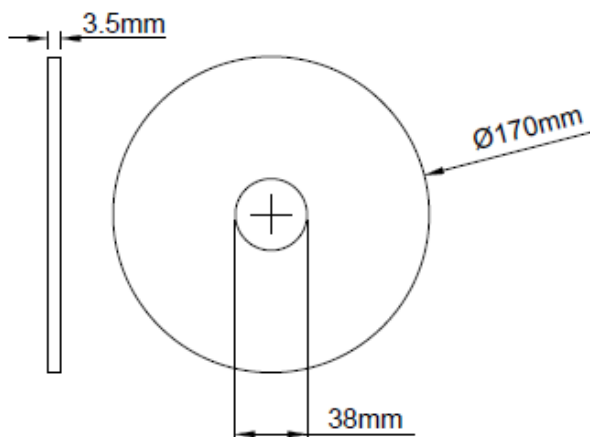
KSRFRD377



KSRFRD378



KSRFRD379



KSR Lighting is constantly developing and improving its products. For this reason, all product descriptions in this data sheet are intended as a general guide, and KSR may change specifications from time to time in the interest of product development, without prior notification or public announcement. All descriptions in this data sheet present only general particulars of the goods to which they refer and shall not form part of any contract. Data in this guide has been obtained in controlled experimental conditions. However, KSR Lighting cannot accept any liability arising from the reliance on such data to the extent permitted.