

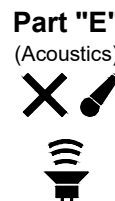


Read these instructions before commencing installation. Please give these instructions to the owner/occupier after installation to retain for future reference/maintenance.

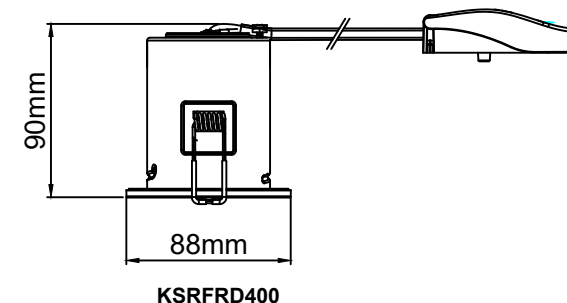
Available finishes: White, *Brass, *Black, Chrome, *Copper or Satin Chrome (*IP20 only)

IP20/IP65 240V~50Hz 10W GU10 LED

These fittings are Class I and must be Earthed



Part "C"
Compliant
Stops moisture & air flow through the luminaire



Important Information

It is recommended that these luminaires are installed and fitted by a qualified electrician ensuring the installation complies with current IEE wiring regulations & local building control. These products are designed for connection to a 240V~50Hz supply. Any faulty, broken or damaged luminaires should be replaced immediately.

KSR will not accept responsibility for any claims arising from a poor installation.

Please Note: The limited warranty shall be deemed null and void in the following circumstances: Failure by the installer, end user or any third party to exercise caution to protect any covered product or part from outside damage, humidity conditions, fluctuations in the electrical system or physical abuse as well as failure related to workmanship in the installation of the products or parts.

Important User Advice

Always switch off mains supply before installing, lamp changes or servicing.

This luminaire is suitable for indoor use only and should not be fitted to damp or wet surfaces such as freshly plastered or painted ceilings.

At the end of life the luminaire is classed as WEEE under directive 2014/30/EU and should be disposed of in accordance with local legislation.

Installation Procedure

KSR recommends that a sample hole is cut in some scrap material to familiarise yourself with the installation. Once you are completely satisfied:

Locate the area's suitable to install these luminaires.

Cut a 70-72mm round hole in the ceiling and ensure sufficient ceiling void without infringing on joists, water pipes or electrical cables.

Connect the mains supply to the floating terminal block (Blue - Neutral, Brown - Live & Green/Yellow - Earth).

The terminal block allows for mains loop in/loop out connections, if not looping through either of the L,E & N inputs can be used. Snap the terminal cover down until the cable strain relief is gripping the outer insulation.

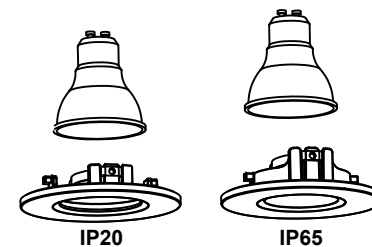
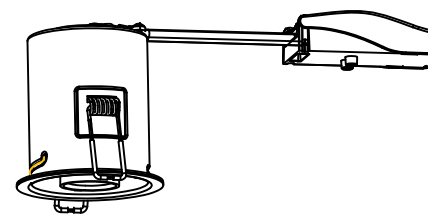
Insert your lamp into the retaining ring on the bezel (sold separately), feed the lamp and lampholder cables into the can and twist the bezel clockwise until resistance is felt, Do not over tighten to ease lamp changes.

Push the two spring clips up so the run parallel with the can, feed the springs gently in the cutout and release to let the downlight pull itself into place as per Fig. 1.

The downlight can be covered in mineral wool insulation, however where possible allow an area around the fitting for ventilation.

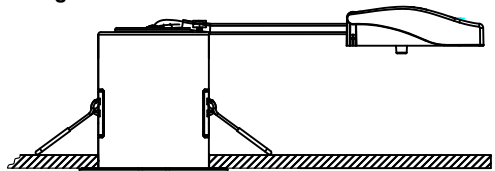
Turn on the mains supply to test the luminaire.

Please Note: These GU10 downlights are only suitable for 10W max. GU10 Retrofit LED lamps and should not be used with Halogen lamps.



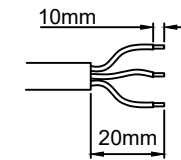
IP20 or IP65 Rims sold separately

Fig. 1



Installer Note:

To ensure a good connection strip back 10mm of insulation and push the cable firmly into the terminal block.



	ØRim Size	ØCut out	Void Depth Req'd	Max Wattage
KSRFRD400	88mm	70-72mm	100mm	10W GU10 LED



KSR Lighting Aftersales: 023 92 674343
E-mail: aftersales@ksrlighting.com