



Available finish: White

Read these instructions before commencing installation. Please give these instructions to the owner/occupier after installation to retain for future reference/maintenance.

IP20

Important Information

KSR will not accept responsibility for any claims arising from a poor installation.

Please Note: The trimless bezel is not suitable for use in fire rated ceilings without using a suitable fire rated hood/barrier. Only suitable for IP20 rims any other rim will make it almost impossible to remove the luminaire from the trimless bezel for lamp changes.

Important User Advice

Always switch off mains supply before servicing and maintenance.

Installation Procedure

KSR recommend you familiarise yourself with the fitting and lamp changes as below before commencing installation.

Drill a 92mm hole into which the trimless bezel will be fitted.

Insert the trimless bezel into the hole ensuring supply cable is easily accessible.

Secure the trimless bezel in place using appropriate fixings, making sure to not damage the powder coated protection. Ensure zinc or stainless steel screws are used to avoid rust. Please note if any of the powder coating is damaged during install we recommend that this is resealed using a suitable protective coating.

Plaster the bezel in place with the plaster finishing flush with the lip of the bezel.

Once the plaster is dry, terminate the complete KSRFRD400 can with lamp and IP20 bezel installed as per the instructions supplied with the KSRFRD400.

Install the luminaire into the trimless bezel ensuring it seats correctly Fig.1.

Turn on supply and test.

Ensure you give these instructions to the end user and highlight the lamp removal procedure as below.

Lamp Removal Procedure

Ensure that the mains supply is switched off and safely isolated.

Using your fingers push the lamp back into the can so you can grip the front rim and carefully pull the complete luminaire down and out of the trimless bezel.

Warning! The clips should be restrained as you remove the luminaire from the trimless bezel as the spring loaded clips could cause injury to yourself and/or damage the powder coated trimless bezel.

Please note KSR will not accept responsibility for any damage that may occur due to inadequate fixing of the trimless bezel or over zealous removal of the luminaire.

Once the luminaire has been removed from the trimless bezel, remove the rim by twisting, replace lamp, refit rim and reinstall the luminaire in to the trimless bezel.

Turn on supply and test

Fig.1

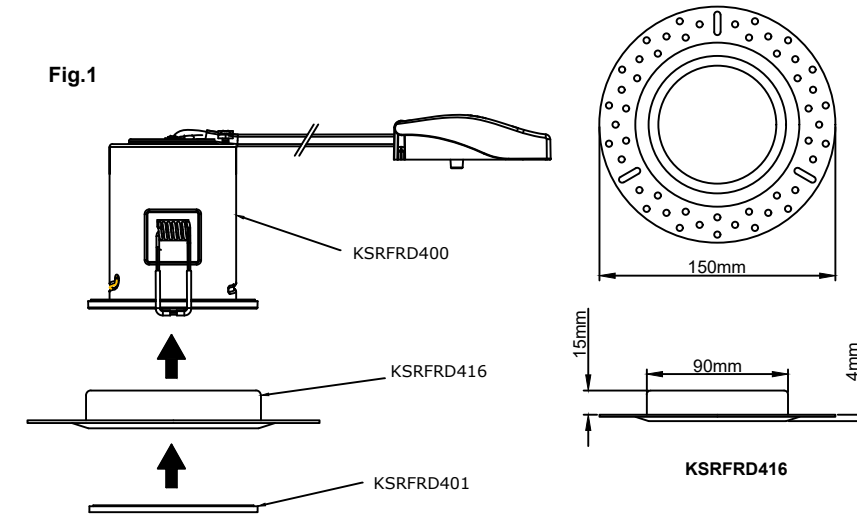
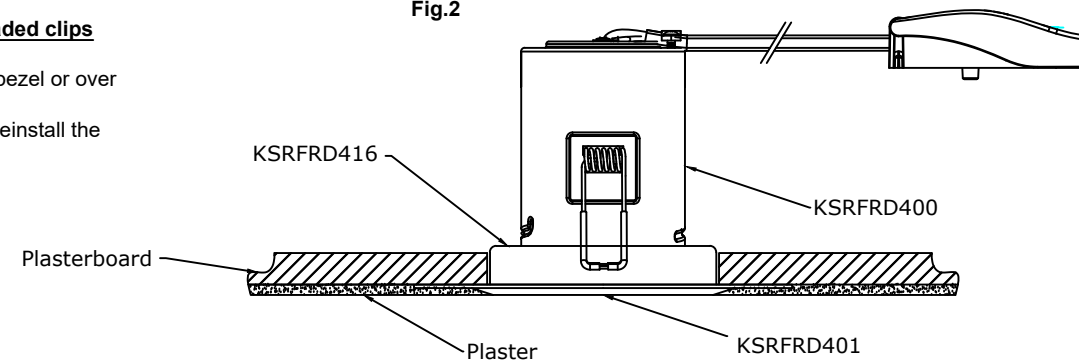


Fig.2



KSR Lighting Aftersales: 023 92 674343
E-mail: aftersales@ksrlighting.com