



Available Finish: White

Read these instructions before commencing installation. Please give these instructions to the owner/occupier after installation to retain for future reference/maintenance.

IP20

Important Information

KSR will not accept responsibility for any claims arising from a poor installation.
 Please Note: The limited warranty shall be deemed null and void in the following circumstances: Failure by the installer, end user or any third party to exercise caution to protect any covered product or part from outside damage, adverse temperature, humidity conditions or physical abuse as well as failure related to workmanship in the installation of the products or parts.

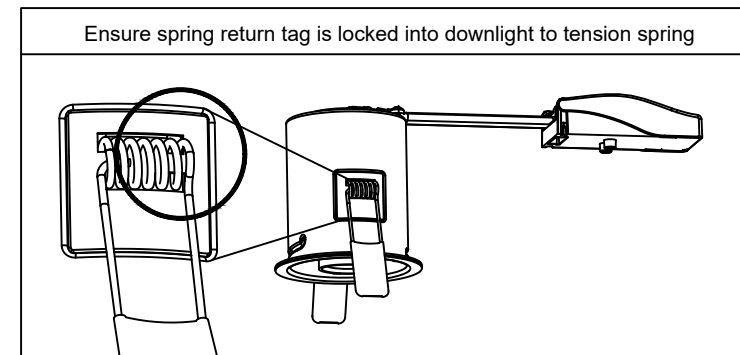
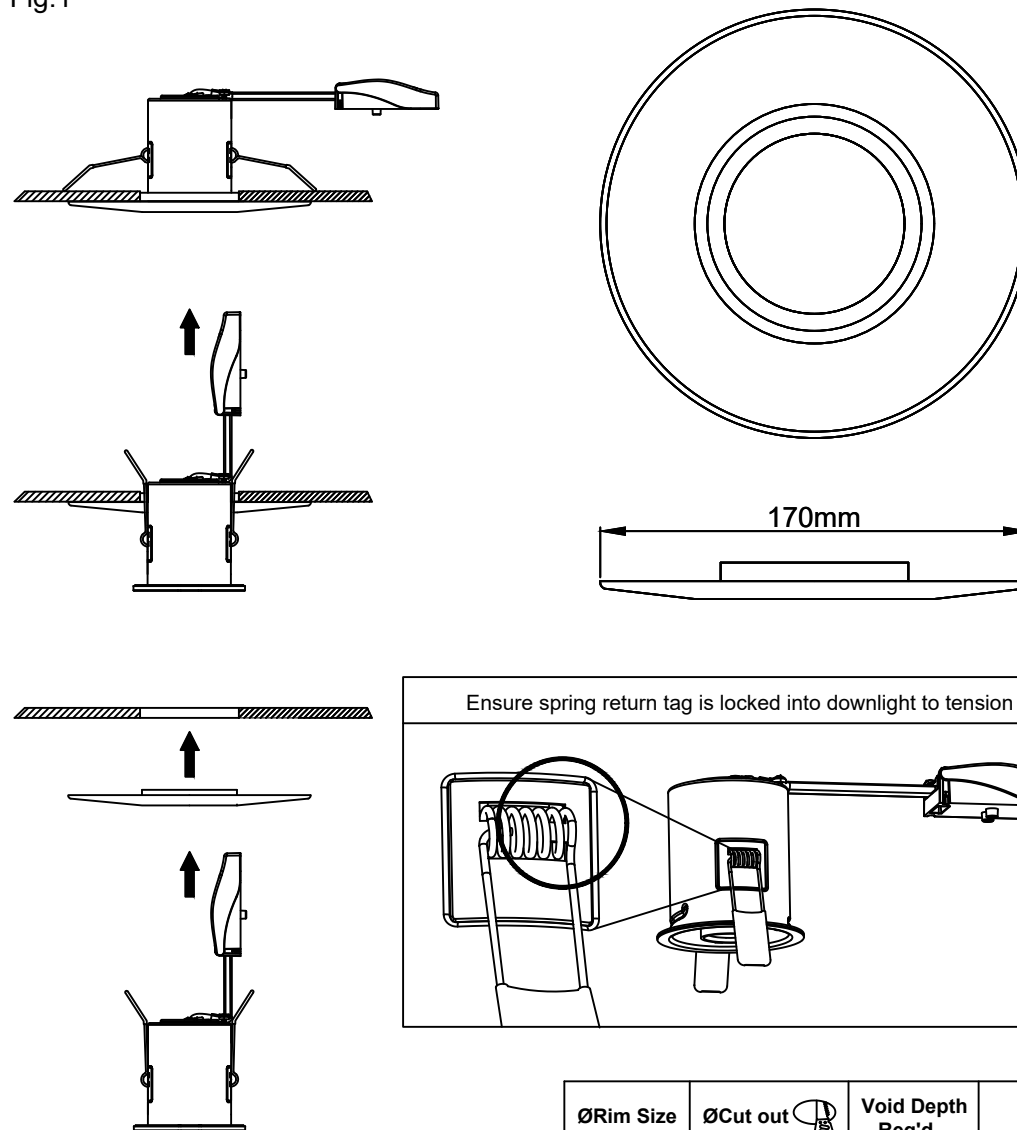
Important User Advice

These converter plate is suitable for indoor use only and should not be fitted to damp or wet surfaces such as freshly plastered or painted ceilings.
Please note that even though this converts a Fire Rated product once it has been converted it will not continue to be a Fire Rated product!

Installation Procedure

KSR recommends that you familiarise yourself with the installation. Once you are completely satisfied: Switch off mains supply.
 This conversion plate is suitable to install the KSR Qr GU10 Range of fixed downlights in installations where an existing cut-out of 76-130mm. Ensure sufficient ceiling void without infringing on joists, water pipes or electrical cables.
Please note in some applications it may be possible to use the existing clips fitted to the downlight for installation.
 If you require the longer clips supplied compress the spring and remove the original clips from the Qr GU10 downlight, replace with the ones supplied with the conversion plate springs ensuring the spring clip is fitted as per Fig 1.
 Bring the supply cable through conversion plate hole.
 Connect luminaire to the mains supply as per the luminaire instructions.
 Carefully press springs back and insert luminaire body into the hole in the plate continue holding the spring clips to the body and insert into the cut-out in the ceiling.
 If you have no tension or the luminaire is loose this is usually a sign that the clips are not installed correctly.
 Make sure the plate is centered over the cut-out.

Fig.1



	ØRim Size	ØCut out	Void Depth Req'd	Colour
KSRFRD418	170mm	76mm - 130mm	80mm	White



KSR Lighting Aftersales: 023 92 674343
 E-mail: aftersales@ksrlighting.com