

Available finish:- Anthracite Only

Read these instructions before commencing installation. Please give these instructions to the owner/occupier after installation to retain for future reference/maintenance.

IP66 IK08 240VAC~50Hz 1.0m 24W - 100W

These fittings are Class I and must be Earthed

Important Information

It is recommended that these luminaires are installed and fitted by a qualified electrician ensuring the installation complies with current wiring regulations & local building control. These products are designed for connection to a 240VAC~50Hz supply. Any faulty, broken or damaged luminaires should be replaced immediately. KSR will not accept responsibility for any claims arising from a poor installation. Please Note: The limited warranty shall be deemed null and void in the following circumstances: Failure by the installer, end user or any third party to exercise caution to protect any covered product or part from outside damage, humidity conditions, fluctuations in the electrical system or physical abuse as well as failure related to workmanship in the installation of the products or parts.

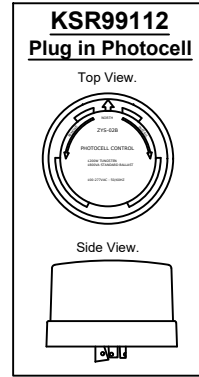
Important User Advice

Always safely isolate the mains supply before installing/servicing. Please note this luminaire is Non Dimmable. General maintenance and cleaning should be performed at least quarterly. Clean product outer using a damp cloth, the glass can be cleaned with hot soapy water, dried and buffed to a shine. Protection from exposure to natural elements in the form of a non-abrasive water repellent protection (car wax). Grease screws and nuts with a suitable waterproof repellent will ensure the product gives you a long lasting trouble free life/finish. At the end of life the luminaire is classed as WEEE under directive 2014/30/EU and should be disposed of in accordance with local legislation.

Installation Procedure

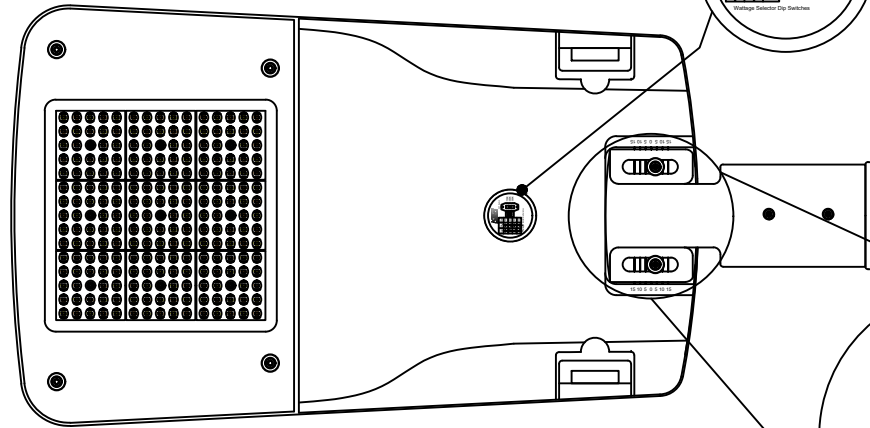
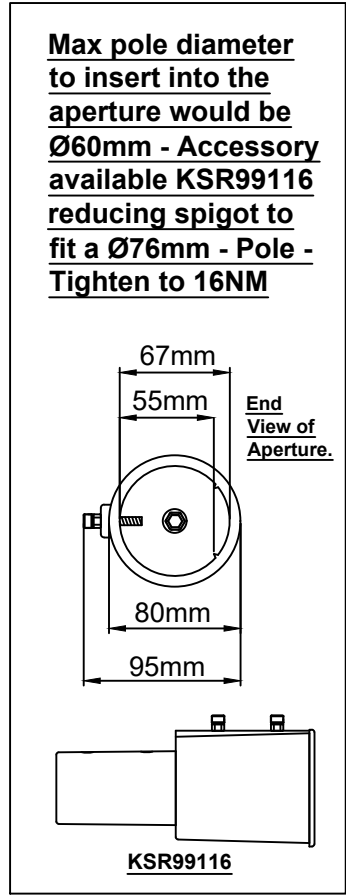
Ensure mains supply is turned off. Ensure the pole aperture of the fitting is on the correct way round for the intended installation (Post top or flag pole style as shown) and tightened to the correct torque (16NM) Connect the supplied 300mm cable to the mains supply (Fig.1) using an appropriate in-line connector for the application. Offer the fitting over the intended pole and ensure it is fully in place so that both bolts can be properly located & tightened, tighten to the correct torque (16NM), a reducing spigot is available (KSR99116) for larger apertures. Remove cap on the underside of the fitting (Fig.2) to access and set up the wattage and colour temperature as required, ensure the cap is re-fitted correctly with the seals in place. If using the plug in Photocell (KSR99112) please refer to the photocell instructions for installation and set up. Turn on the mains power and test.

Side View - Can be Post top mounted or Flag Pole mounted.



Shorting Cap - Only to be removed if fitting the KSR99112 Photocell is to be fitted.

Remove cover by twisting off to access Dip switches for changing wattage & CCT Selector Switch - see over leaf for info - Ensure it is re-fitted correctly.



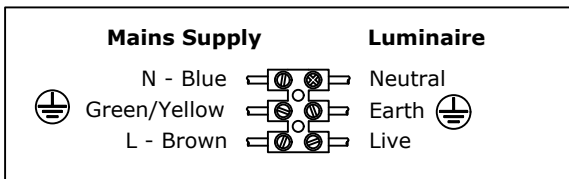
Below View.

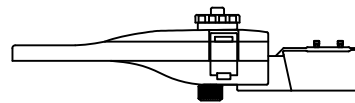
Fitting can be Angled in 5 Deg increments in either direction - Loosen bolts to angle and re-tighten to 16NM

This product contains a light source of energy efficiency class E The Control Gear in this product can be replaced by a professional.



Fig.1





Available finish:- Anthracite Only

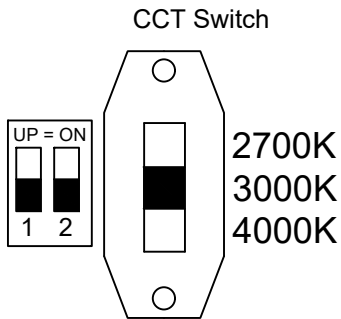
Read these instructions before commencing installation. Please give these instructions to the owner/occupier after installation to retain for future reference/maintenance.

IP66 IK08 240VAC~50Hz 1.0m 24W - 100W

- KSR99110 -

Remove cap to access
Dip Switch Wattage Selector
& CCT Switch Settings

No.1	No.2	Watt
↑	↑	24
↑	↓	36
↓	↑	48
↓	↓	60

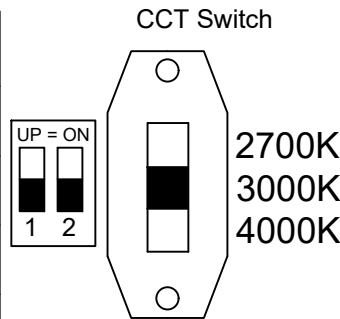


Wattage Selector Dip Switches

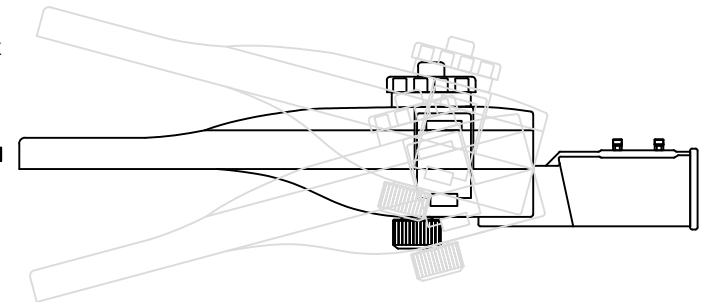
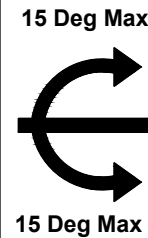
- KSR99111 -

Remove cap to access
Dip Switch Wattage Selector
& CCT Switch Settings

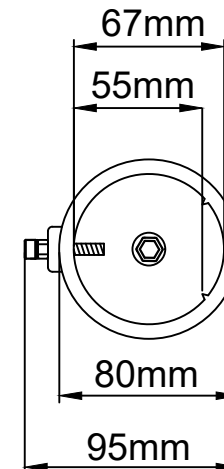
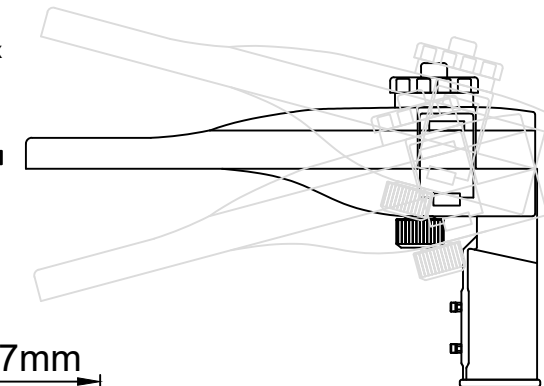
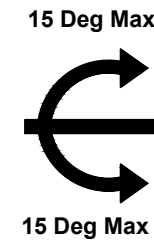
No.1	No.2	Watt
↑	↑	40
↑	↓	60
↓	↑	80
↓	↓	100



Wattage Selector Dip Switches



30 Deg Tilt (15 Deg either way)
in 5 Deg Increments.



End View of Aperture.

Max pole diameter to insert into the aperture would be **Ø60mm** - Accessory available KSR99116 reducing spigot to fit a **Ø76mm Pole** - Tighten to **16NM**

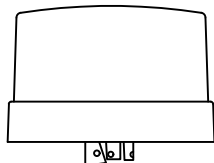
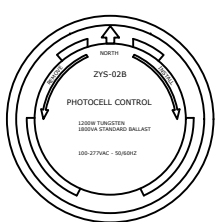
Available Accessories

KSR99112

Plug in Photocell for KSR99110 & KSR99111

Top View.

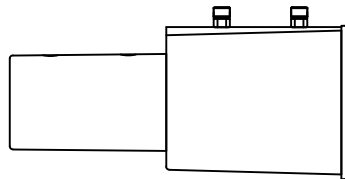
Side View.



Refer to KSR99112 Instructions for install & set up guide.

KSR99116

Reducing Spigot for KSR99110 & KSR99111



to fit a Ø76mm - Pole - Tighten to 16NM

Refer to KSR99116 Instructions for install & set up guide.

