



INSTALLATION & MAINTENANCE MANUAL

SKR3

GENERAL INSTRUCTIONS

These instructions should be read carefully and retained after installation by the end user for future reference and maintenance.

**These instructions should be used to aid installation of the following product:
SKR3**

SAFETY

- This product must be installed in accordance with the latest edition of the IEE Wiring Regulations (BS7671) and current Building Regulations. If in any doubt, consult a qualified electrician
- Please isolate mains prior to installation or maintenance
- Check the total load on the circuit (including when this product is fitted) does not exceed the rating of the circuit cable, fuse or circuit breaker
- Please note the IP (Ingress Protection) rating of this product when deciding the location for installation
- Do not overload this accessory or subject it to conditions outside its rating
- This product is Class I and must be earthed
- This product is IP20 rated
- This product is for indoor use only

INSTALLATION

Note: The unit should be fixed to a rigid flat surface as unevenness could cause damage to the product or affect operation

- Provide power to the required point of installation (refer to BS7671 for correct cabling methods)
- Locate a suitable place to mount the product. The mounting surface should be a minimum of 14mm and a maximum of 50mm thickness, and there must be sufficient space beneath the surface to mount the product correctly
- Cut a 112mm hole in the surface allowing a 25mm clearance around the hole (see Fig. 1)

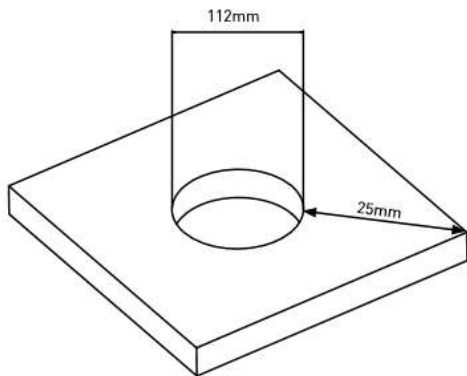


Fig. 1

- Feed the cable and product through the hole
- Tighten screws on top of product to secure it to the surface (see Fig. 2)

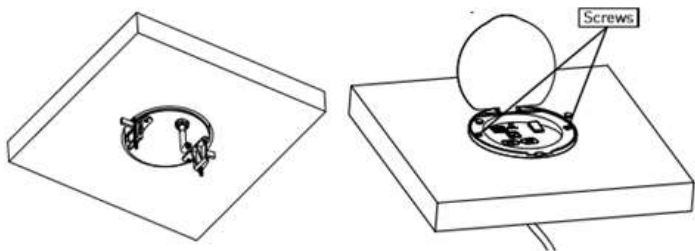


Fig. 2

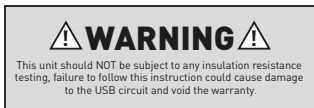
- Connect to mains supply via the prewired cable and plug

USB CHARGING FUNCTION

This product is designed for charging portable USB devices only and contains a short circuit and overload protection feature. If there is no power from the USB socket unplug the connected device. Check to ensure the USB socket and USB device have not come into contact with water, liquid or debris and the cable to the device is not damaged. With no device connected to the USB socket it will automatically reset and be ready for use.

WARNING

This product must be disconnected from the circuit if subjected to any high voltage or insulation resistance testing. Irreparable damage will occur if this instruction is not followed.



Please note that we do not recommend our 13A sockets be used for Electric Vehicle (EV) charging for prolonged periods.

GENERAL

This product should be recycled in the correct manner when it reaches the end of its life. Check local authorities for where facilities exist.
Clean with a soft dry cloth, do not use any cleaning products or solvents which may damage the product.

WARRANTY

This product has a warranty of 2 years from date of purchase. Failure to install this product in accordance with the current edition of the IEE Wiring Regulations (BS7671), improper use, or removal of the batch code will invalidate the warranty. If this product should fail within its warranty period it should be returned to the place of purchase for a free of charge replacement. ML Accessories does not accept responsibility for any installation costs associated with the replacement product. Your statutory rights are not affected. ML Accessories reserve the right to alter product specification without prior notice..

SUPPLIED BY:

(UK) MANUFACTURER

**ML ACCESSORIES LTD, UNIT E CHILTERN PARK,
BOSCOMBE ROAD, DUNSTABLE LU5 4LT,
WWW.MLACCESSORIES.CO.UK**

(EU) AUTHORISED REPRESENTATIVE

SLV LIGHTING GROUP,

**DAIMLERSTRASSE 21-23,
52531 ÜBACH-PALENBERG, GERMANY
EMAIL: EPREL@GROUP.SLV.COM**

MADE IN CHINA

230V
50Hz



IP20



ML
ACCESSORIES LTD



UK
CA



11