



LEDLITE™ Installation Sheet

LTDL3NML - 3W LED Non Maintained Emergency Downlight

      0.3m  **IP20 220-240V 3W**

Please read these instructions before commencing installation & retain them for future reference.

Important information:

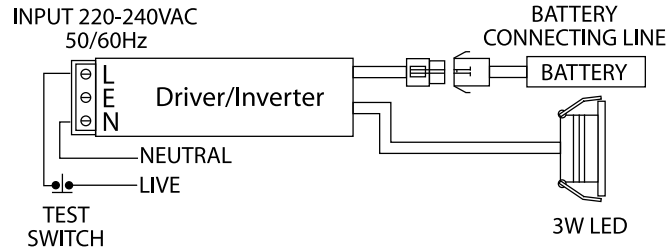
It is recommended that luminaires are installed by a qualified electrician ensuring the installation complies to current IEE wiring regulations & local building control.

- These products are designed for connection to a 220-240V mains supply.
- Any broken or damaged parts should be replaced as soon as possible.
- We will not accept responsibility for any claims arising from a poor installation.

Important User Advice:

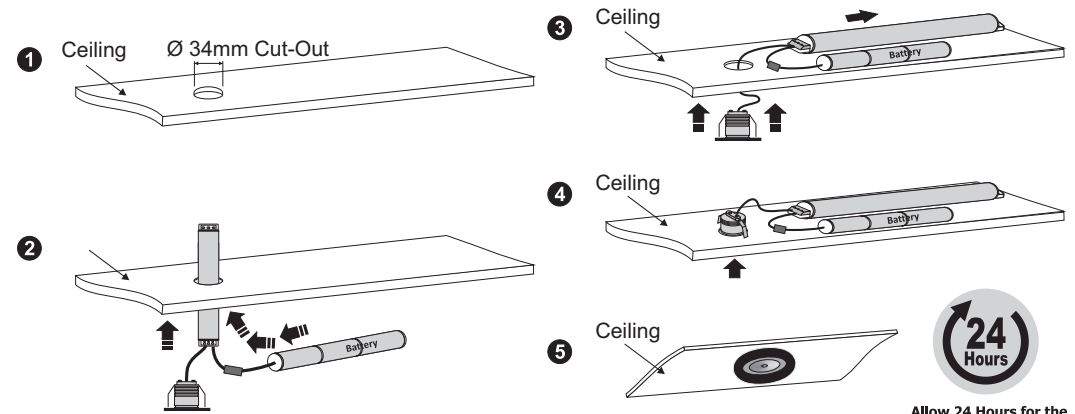
- Always switch off mains supply before servicing.
- This luminaire is suitable for indoor use only and should not be fitted to damp or wet surfaces such as freshly plastered or painted walls or ceilings.
- This product is designed for permanent connection to fixed wiring: this must be a suitable circuit (protected with the appropriate MCB or fuse).
- Do not cover the fitting, battery and driver with any insulating materials.
- This product is Class II, double insulated and does not require an earth connection.

Wiring Diagram:



Installation Procedure:

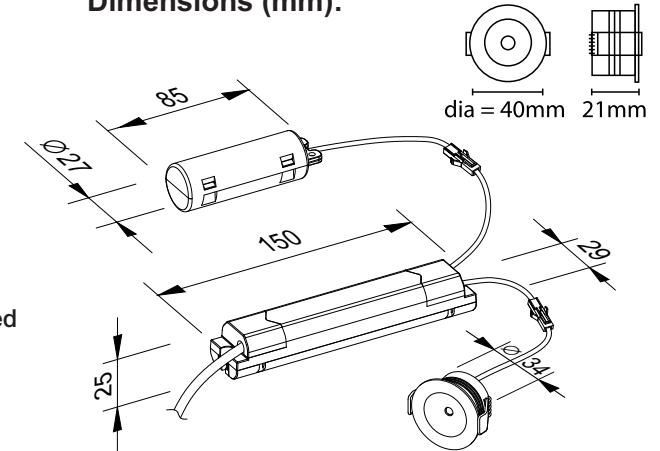
- Choose the installation location for the downlight and mark it. Cut a 34mm diameter hole in the ceiling ensuring it does not infringe with electrical cables, water/gas pipes or ceiling joists.
- Prepare the route for the mains cable and feed through the hole and make the L & N connections to the input side of the driver/inverter. Feed the driver/inverter through the hole, followed by the battery pack, which can lay adjacent to the hole.
- Feed the excess cable through the hole and press the down light into position until it is retained by the springs. The fitting may require some manipulation in order to pass through the hole. Do not enlarge the hole to make fitting easier.
- Restore the power and check if the fitting is working correctly. The LED will illuminate green on normal operational mode, which indicates the fitting is charging.
- On mains power failure the LED will illuminate white light continuously for at least 3 hours on a full charge.



Specifications:

- Input Voltage: 220-240V/AC
- Power: 3W
- Light Output: 120Lm
- Mode: Non-Maintained
- CCT: 5500K
- CRI >85
- IP Rating: IP20
- Protection Class: Class II
- Housing: PC Body
- Trim: White & Matt Silver included
- Ceiling Recessed Mounting
- Cut-out: Ø34mm
- Battery: LiFePO4 3.2V 1500mAh
- Warranty: 3 years

Dimensions (mm):



Emergency Testing and Battery Maintenance:

- Initial battery charge must be for a minimum of 24 hours before testing.
 - To achieve best performance the LTDL3NML should be tested fully by switching into emergency mode regularly in accordance with local testing regulations. Any warranty claim must be accompanied by documentation which records the dates of this maintenance procedure and signed by maintenance personnel.
 - When first connecting to AC power check if the Green LED light is lit confirming that the battery is charging.
 - The battery must be replaced when the unit no longer meets the rated emergency duration or if there is a battery fault.
- 1) Switch off the electricity at the mains and allow batteries to fully discharge then reconnect to supply and allow charging for 24 hours.
 - 2) Test again for 3 hours, if light does not remain lit, then change the battery pack as follows:
 - Unplug the battery plug lead from the socket and re-plug the new battery.
 - Restore power and allow charging for 24 hours.
 - Perform full operation check and update test record.

Replacement battery type: 3.2V 1500mAh LiFePO4 battery.

