

Hole Conversion Plates Accessory for use with LTCDL6CCT & LT10PIRCCT LED IP65 Fire Rated Downlights

Please read these instructions before commencing installation & retain them for future reference.

Important information

It is recommended that luminaires are installed by a qualified electrician ensuring the installation complies to current IEE wiring regulations & local building control. These products are designed for use with LTCDL6CCT and LT10PIRCCT downlights. LEDLite will not accept responsibility for any claims arising from a poor installation.

Important User Advice

Always switch off mains supply before servicing.

This bezel is suitable for indoor use only and should not be fitted to damp or wet surfaces such as freshly plastered or painted walls.

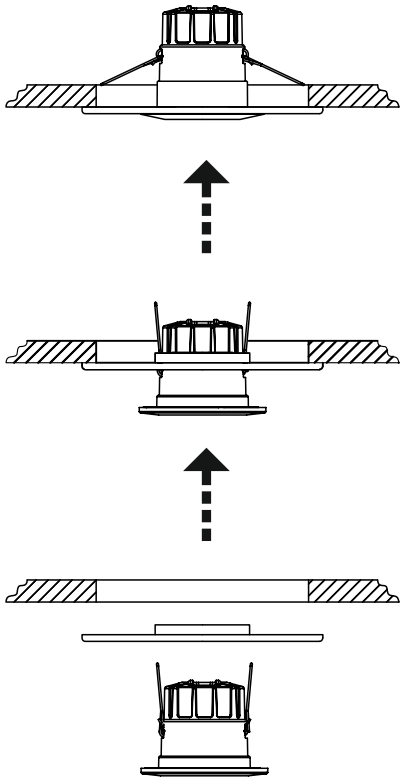
Installation Procedure

LEDLite recommends that a sample hole is cut in some scrap material to familiarize yourself with the installation. Once you are completely satisfied:

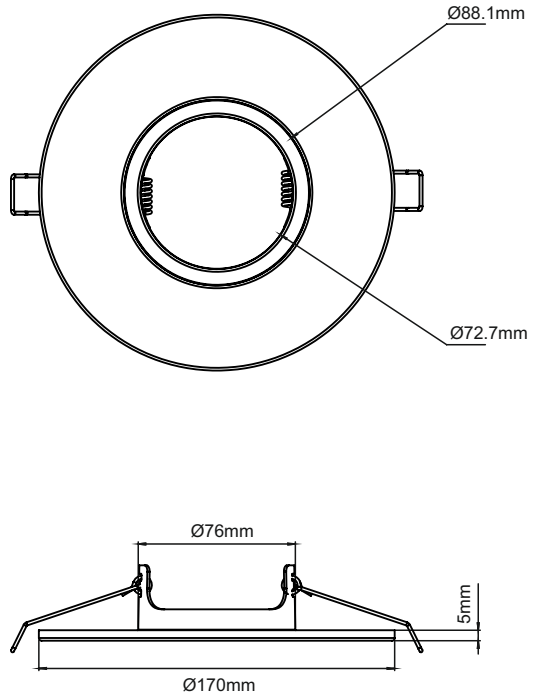
1. Switch off mains supply.
2. This conversion plate is designed to install the LTCDL6CCT or LTLT10PIRCCT into a ceiling with an existing cut-out of 80-150mm. Ensure there is sufficient ceiling void space and that there are no joists, water pipes, or electrical cables obstructing the installation.
3. Install the conversion plate as shown in Fig. 1.
4. Pass the supply cable through the hole in the conversion plate.
5. Connect the luminaire to the mains supply (Blue - Neutral, Brown - Live) while holding the conversion plate centrally over the cut-out.
6. Press the springs back and insert the luminaire body into the hole in the plate. Carefully push the luminaire into place, ensuring the plate remains centered over the cut-out.
7. Switch on the mains supply and test the installation.


Covers existing holes from \varnothing 80mm to \varnothing 150mm.

Fig. 1



DIMENSIONS:



	ØRim Size	ØCut out 	Colour
LTHCPWHN	170mm	80mm-150mm	White
LTHCPBCN	170mm	80mm-150mm	Brushed Chrome
LTHCPPCN	170mm	80mm-150mm	Chrome