



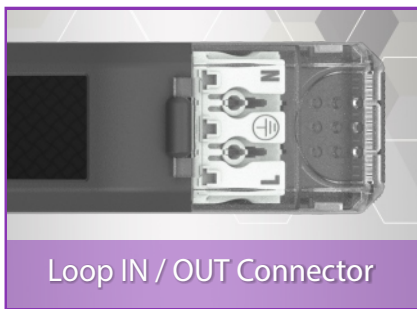
LTMT6CCT

6W Mini LED 4CCT IP65 Fire Rated Downlight

This 6W mini fire-rated downlight offers high performance in a compact design, ideal for installations with a 43-50mm cut-out. Featuring a 4-level CCT changeable switch (2700K, 3000K, 4000K, and 6000K), it provides flexible colour temperature options to suit a variety of lighting needs. Rated for up to 90 minutes of fire protection, certified to be used with solid joists, I-Joist and Metal-Web joists, making it suitable for both residential and commercial installations. Its slim, low-profile design ensures compatibility with tight spaces, making it a versatile choice for lighting where compact dimensions are essential.

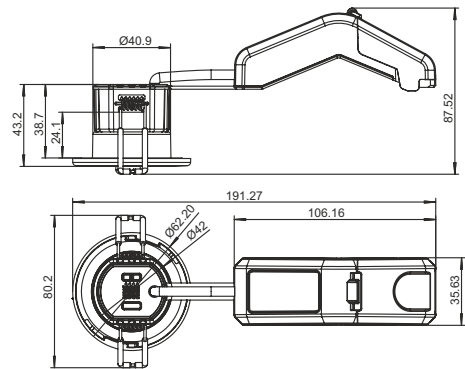
Features & Benefits:

- Lumen Output: 560-660lm
- External Driver with Loop In / Out Connector
- 4 CCT Switch: 2700K - 3000K - 4000K - 6000K
- Beam Angle: 55°
- IP65 Rated front
- CRI>80
- Iron Body Material
- Trailing & Leading Edge Dimmable
- Solid Joist, I-Joist or Metal-Web Joist Certified
- Interchangeable Bezels available (white included, others sold separately)
- Warranty: 5 Years



Loop IN / OUT Connector

Dimensions(mm):



4 Colour Temperature (CCT) Switchable

2700K 560lm	3000K 590lm	4000K 650lm	6000K 660lm
----------------	----------------	----------------	----------------

Technical Specifications:

Input Voltage:	220-240 V/AC,50-60Hz	CRI:	>80
Power:	6W	Beam Angle:	55°
LEDs:	SMD	IP Rating:	IP65 front
Driver:	External	Protection Class:	Class II
CCT Changeable:	2700/3000/4000/6000K	Housing:	Iron
Light Output:	560 - 660lm	Operating Temp.:	-15°C to +40°C
Dimensions:	(Diam.)Ø62 x (D)43mm	Dimmable:	Trailing/Leading Edge
Cut-Out:	Ø43-50mm	Switch Cycles:	100,000
Energy Class:	E	Warranty:	5 years



4CCT Changing Switch