

LTSCCL6CCT / LTSCCL6X LED Ultra Slim Cabinet Light Set CCT Changeable

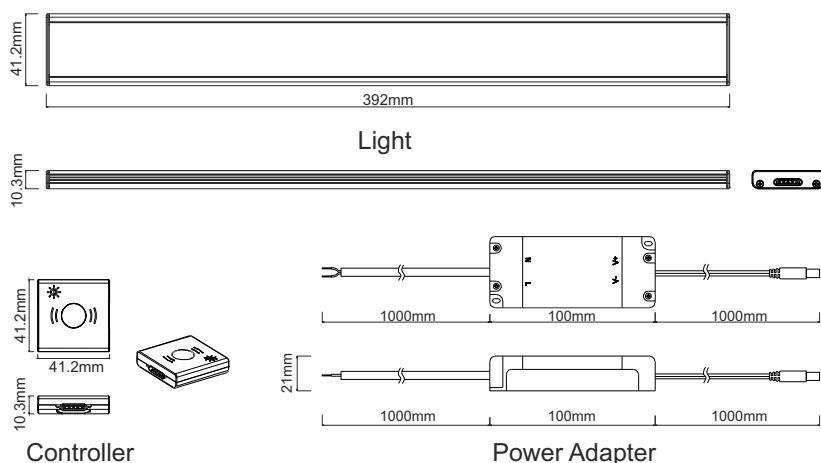
The Ultra Slim LED Cabinet Light set with hand-sweep sensor for ON/OFF and touch sensor to change CCT colour and brightness. With a slim, light body that is easy to install on any type of surface it makes the perfect illuminating option for tight spaces. The lights are linkable (up to 3 lights per can be linked together) allowing flexible applications in multiple combinations.

Suitable for cabinets, bedrooms, hallways, shoe cabinets, wardrobe, bookcase, kitchen, staircase, drawers, utility rooms, etc.

Features & Benefits:

- Ultra thin and simple design
- CCT colour changeable
- Separate hand-sweep and touch-integrated controllers with multiple interfaces
- Multiple combinations, flexible application
- Soft, Non-Glare Light
- Wide beam angle and no glare
- Linkable (max. 3 pcs)
- Multiple installation using screws or magnetic clips

Dimensions:



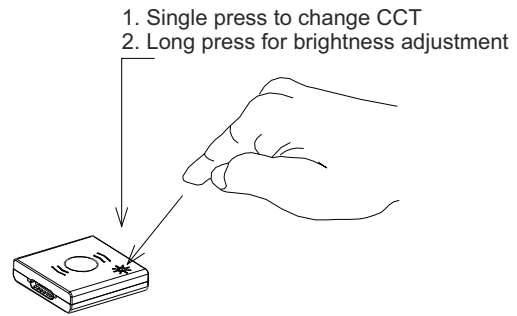
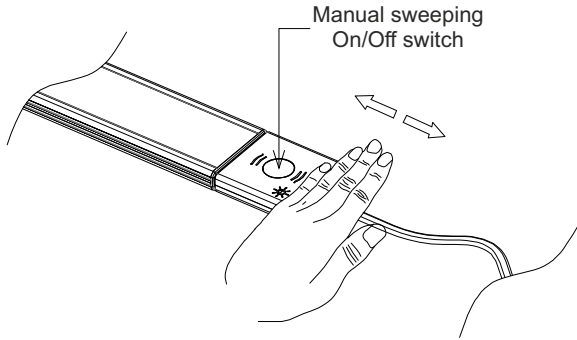
Undercabinet Light Specifications:

Controller Specifications:

Input Voltage:	220-240 V/AC	Power:	20W (max)
Output:	DC 12V/1.5A	Hand-Sweep Function:	OFF / ON
Power:	6W/light	Touch Key Function:	CCT Adjustment, Brightness
LEDs:	SMD4014, 80pcs.	Number of connections:	3
CCT Changeable:	3000K / 4000K / 6000K	Shell Material:	ABS
Light Output:	440lm±10%	Operation Temp.:	-20°C ~ +45°C
CRI(Ra):	>80	Storage Temp.:	-25°C ~ +55°C
Shell Material:	Aluminum+ABC+PC	IP Rating:	IP20
Operation Temp.:	-20°C ~ +45°C		
Storage Temp.:	-25°C ~ +55°C		
IP Rating:	IP20	Warranty:	2 years



Controller functions:



Package includes:

Image	Part Name	Specification	Quantity	
			LTSCCL6CCT Light Set:	LTSCCL6X Additional Light:
	Undercabinet Light	392 x 41.2 x 10.3mm	1pcs.	1pcs.
	Controller	41.2 x 41.2 x 10.3mm	1pcs.	N/A
	Metalic Clips	43 x 35 x 3.6mm	2pcs.	2pcs.
	3M Adhesive Tape	32 x 32 x 1.0mm	2pcs.	2pcs.
	Center Connector	21 x 16 x 3.5mm	1pcs.	1pcs.
	Connector with Wire	Length: 15cm	1pcs.	1pcs.
	DC Input Wire	Length: 30cm	1pcs.	N/A
	Adapter (1m cable each side)	Input: 220-240V/AC Output: DC 12V / 1.5A	1pcs.	N/A