

LTSCCL6CCT & LTSCCL6X Instructions

120 x 100 MM

LEDLITE™
Energy Saving LED

6W LED Ultra Slim Cabinet Light Set CCT Changeable

i User Instructions

LTSCCL6CCT & LTSCCL6X

IP20 **UK** **CA** **CE**



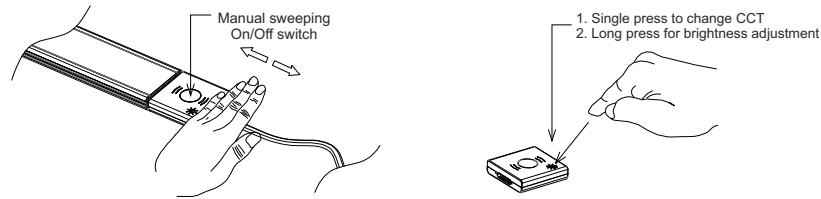
Please read these instructions and retain them for future reference.

Important information: Use the supplied USB charging cable when connecting the ultra slim cabinet light to the power supply.

Undercabinet Light Specifications

Input Voltage:	220-240 V/AC	Hand-Sweep Function:	OFF / ON
Power Adapter Output:	DC 12V/1.5A	Sensing Distance	3 - 5cm
Power:	6W/light	Touch Key Function:	CCT Adjustment, Brightness
Controller Power:	20W (max)	Stepless Dimmable:	10% - 100%
No. of Controller Connection:	3	Light Shell Material:	Aluminium+ABS+PC
LEDs:	SMD4014, 80pcs.	Controller Shell material:	ABS
CCT Changeable:	3000K / 4000K / 6000K	Operation Temp.:	-20°C ~ +45°C
Light Output:	440lm±10%	Storage Temp.:	-25°C ~ +55°C
CRI(Ra):	>80	IP Rating:	IP20

Controller Functions

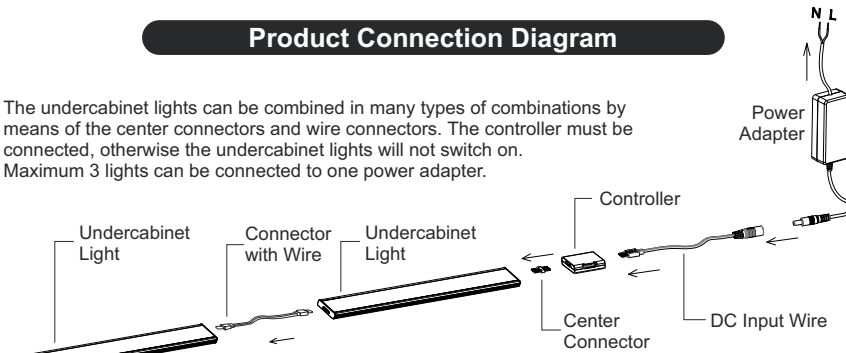


Packaging Products and Accessories

Photos	Part Name	Specification	Quantity	
			LTSCCL6CCT	LTSCCL6X
	Undercabinet Light	392 x 41.2 x 10.3mm	1pcs.	1pcs.
	Controller	41.2 x 41.2 x 10.3mm	1pcs.	N/A
	Metalic Clips	43 x 35 x 3.6mm	2pcs.	2pcs.
	3M AdhesiveTape	32 x 32 x 1.0mm	2pcs.	2pcs.
	Center Connector	21 x 16 x 3.5mm	1pcs.	1pcs.
	Connector with Wire	Length: 15cm	1pcs.	1pcs.
	DC Input Wire	Length: 30cm	1pcs.	N/A
	Adapter (1m cable each side)	Input: 220-240V/AC Output: DC 12V / 1.5A	1pcs.	N/A

Product Connection Diagram

The undercabinet lights can be combined in many types of combinations by means of the center connectors and wire connectors. The controller must be connected, otherwise the undercabinet lights will not switch on. Maximum 3 lights can be connected to one power adapter.



Installation Method

Easy Installation with Magnet-Type Design

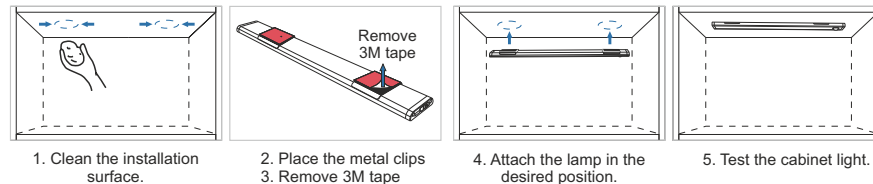
The lamp's back features built-in magnets, allowing users to mount it on any metal surface effortlessly. Alternatively, the lamp can be attached to any desired surface using the two provided metal plates, ensuring an easy installation and convenient mounting/unmounting process.

Installation Instructions with Metal Plates:

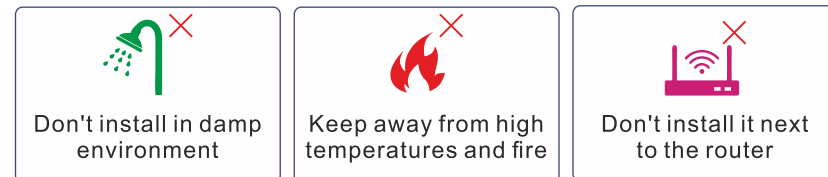
Preparing the Metal Plates - Mount the metal plates on any surface using screws or 3M adhesive tape. When using screws, measure the distance between the holes on the plates to ensure proper alignment.

Adhesive Tape Installation Steps:

1. Clean the installation surface using a soft cloth.
2. Place the metal clips on the magnetic zones at the back of the light.
3. Remove the protective film from the 3M tape.
4. Attach the lamp in the desired position and press firmly.
5. Test the cabinet light.



Prohibited Scenarios



Cautions

1. Avoid immersing the product in water.
2. Do not install near open flames or hot surfaces, as this may lead to combustion or explosion.
3. Adhere strictly to the installation instructions provided in the manual. We are not liable for any damage or property loss resulting from improper installation.
4. Ensure the controller remains uncovered.
5. Clean using a dry, soft cloth.