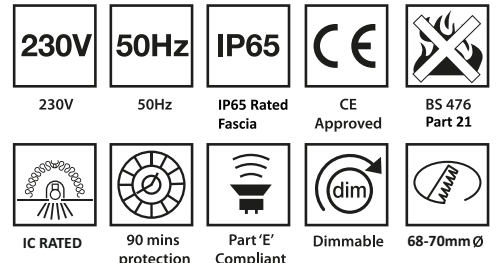


LED LITE™ LTCDL6CCT



Installation Sheet

6W ECO LED Tri-Colour Fire Rated Downlight

General Instructions

These instructions should be read carefully and retained after installation for further reference and maintenance.

Safety

Before installation or maintenance ensure that the mains supply to the luminaire is switched off and the circuit supply fuses are removed or circuit breaker turned off.

- A qualified electrician **MUST** be consulted or used for the installation of this luminaire.
- This luminaire must be installed to the current edition of the IEE wiring regulations and relevant building regulations.
- Check that the total load of the circuit, including when this luminaire is fitted, does not exceed the rating of the circuit cable, fuse or circuit breaker.

Installation

- Cut a suitable hole in the ceiling as per the cut-out details ensuring that it does not infringe with electrical cables, water/gas pipes or ceiling joists. (see fig 1.)
- The downlight is IC Rated and designed for use with insulated material so that it does not need extra IC cage accessories.
- Wire the cable as per the wiring diagram fig. 2.
- After wiring the cable press the plastic fix cap to grip the cable solidly. (see fig. 3)
- Fit the downlight into the hole (see fig. 4) in the ceiling with the 2 spring clips supplied. (see fig. 5)
- Test for correct operation.

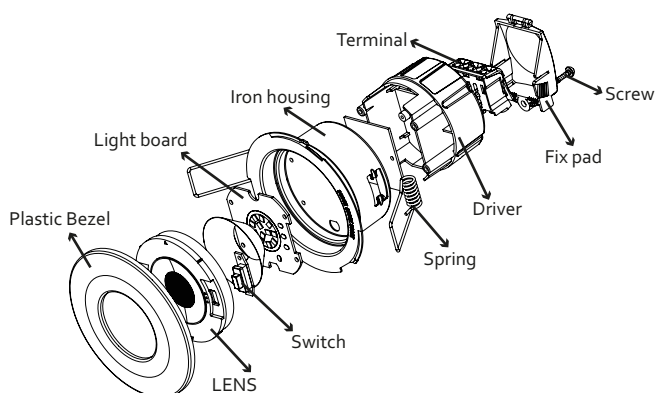
Dimming

The downlight comes as standard with a dimmable driver that allows the user to regulate the light output to best suit their lighting needs. Please note:

- The driver can be used with most trailing edge dimmers.
- Please examine carefully the manufacturers guide on the dimmer switch you intend to use and check compatibility.
- In some cases you may need to change or upgrade your dimmer switch if the unit flickers or does not dim smoothly.

SAFETY FIRST

- BEFORE STARTING ANY ELECTRICAL WORK ALWAYS SWITCH OFF AT THE MAINS
- IF IN DOUBT CONSULT A QUALIFIED ELECTRICIAN



Coloured Bezel Option

The downlight comes as standard with a fixed white bezel. Other colours are available (sold separately), which fit over the existing fixed one.

Fig. 1

Cut mounting hole in ceiling
68mm-70mm diameter

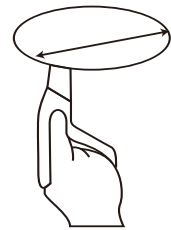


Fig. 2

Connect mains supply to
downlight

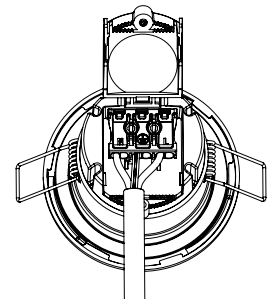


Fig. 3

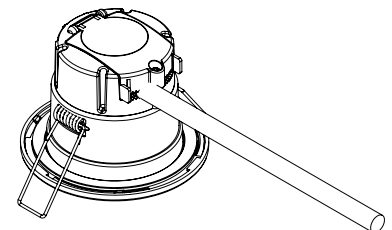


Fig. 4

Fold spring clips upwards
and insert downlight into hole

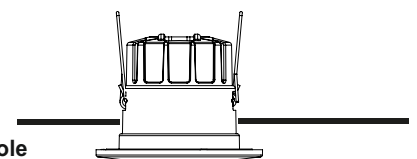


Fig. 5

Release spring clips to hold
the downlight in place

