

LEDLITE™

Energy Saving LED

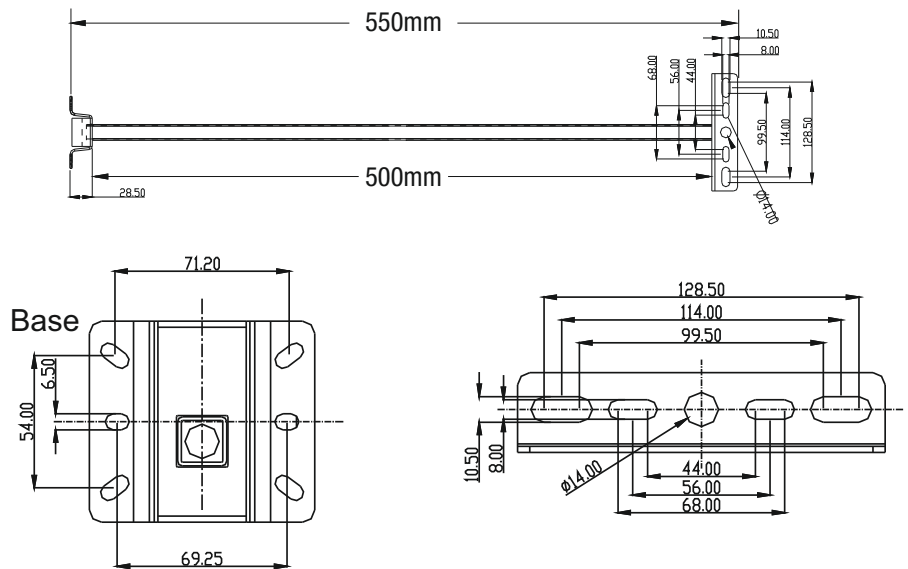
500mm Extension Arm for Floodlights

LEDLITE floodlight extension arms ensure your floodlight is securely mounted onto a wall.

The arms are made of stainless steel and come with M6, M8 and M10 zinc plated bolts. It enables the LED Floodlight to become a wall mounted sign light, ideal for hotels, restaurants, shop signs or advertising banners.

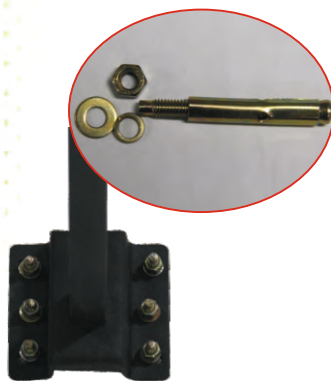
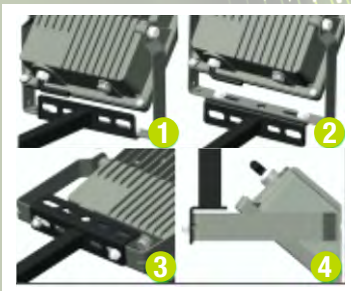
- Suitable for 10W to 50W LED floodlights
- Fixing screws for 10W-50W floodlights included

Dimensions:

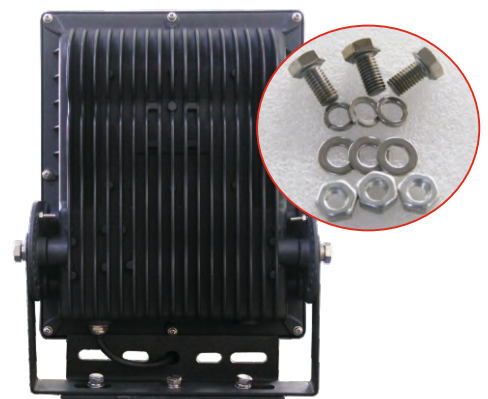


Installation and use:

4 Methods to mount the floodlights:



Wall Mounting



Wall Mounting: At the setting area, bore a hole according to Base Drawing with a 6mm diameter drill, and put Anchor Bolt of M6 in the hole of the wall, and then fix the arm with screw nut.

Floodlight Mounting: 10w matches M6 anchor bolt, 20w-50w match M8, and 70w-200w match M10.