

RGB Ultra Slim COB LED Floodlights

IP65  220-240V

Please read these instructions before commencing installation & retain them for future reference.

Important information


It is recommended that floodlights are installed by a qualified electrician ensuring the installation complies to current IEE wiring regulations & local building control.

- These products are designed for connection to a 220-240V mains supply.
- Any broken or damaged parts should be replaced as soon as possible.
- We will not accept responsibility for any claims arising from a poor installation.

SPECIFICATIONS:

- **Voltage range:** 220-240 V/AC
- **Frequency:** 50/60 Hz
- **Power:** 10W, 30W, 50W
- **Protection against electric shock:** Class I. Requires earth connection
- **Ingress Protection:** IP65
- **Quality/Corrosive rating:** Suitable for commercial use and indoor/outdoor applications
- **Material:** Die cast Aluminium body with tempered glass diffuser
- **Ambient temperature range:** -20°C to +45°C

INSTALLATION INSTRUCTIONS:

 Always switch off mains supply before servicing.

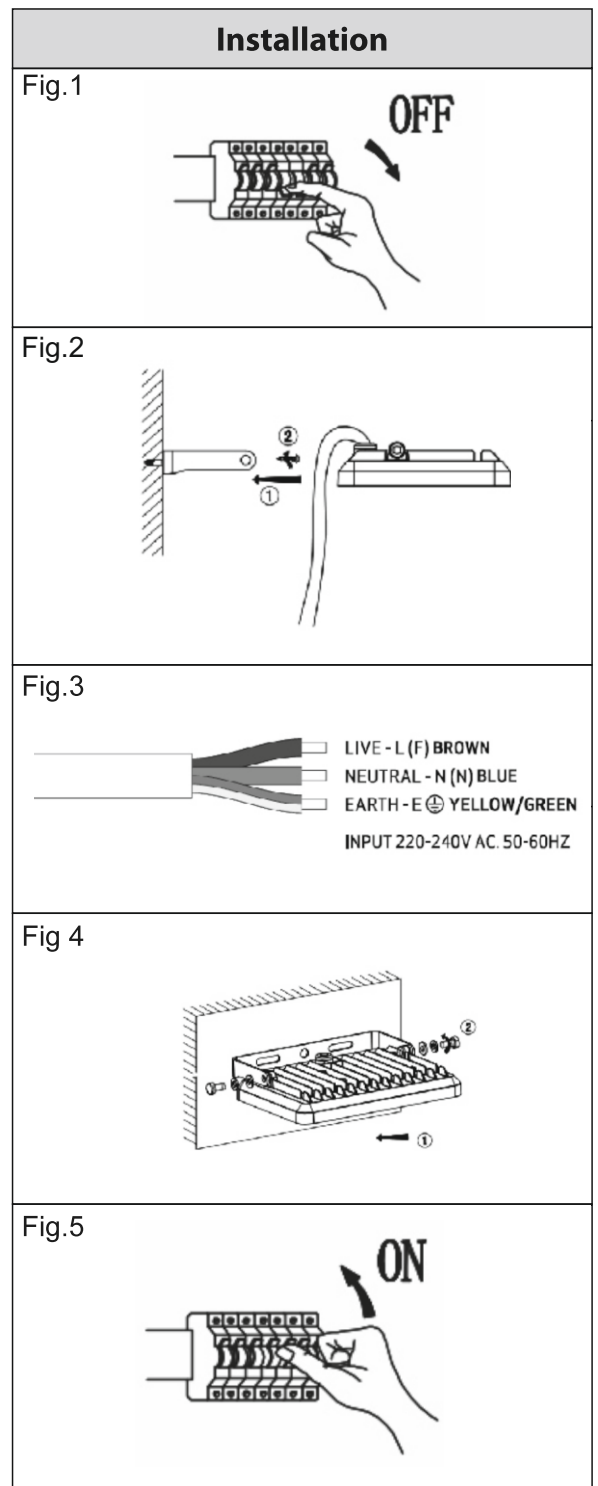
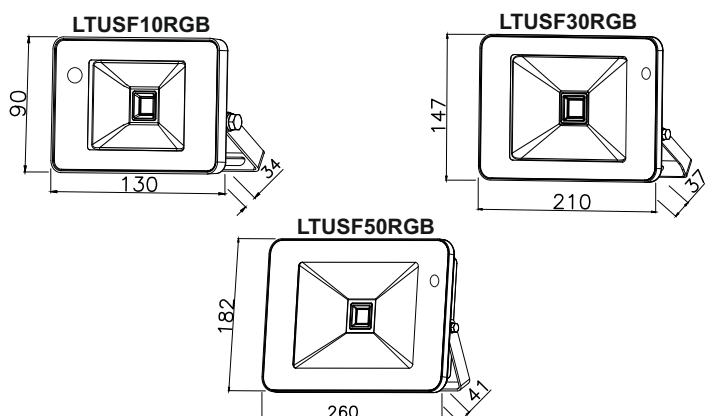
- Shut off Power. (Fig.1)
- Mount the bracket on the wall (Fig.2)
- Terminate loose ends of wire to an appropriate IP Rated junction box or similar, ensuring Live, Earth and Neutral polarities are observed. (Fig. 3)
 - Live - Brown/Red
 - Neutral - Blue/Black
 - Earth - Yellow/Green

- Connect the fitting to its bracket. (Fig.4)
- Turn On Power (Fig.5) and test the luminaire.

WARNING: Ensure all items and screws are secure and fitted correctly.

- This floodlight is not dimmable.
- Floodlights should not be connected in series.

DIMENSIONS(mm):



RGB Ultra Slim COB LED Floodlights

Remote Control Functions



- Control Distance: up to 10m
- Mode: 4 modes adjustable
- Brightness and speed adjustments
- Battery Type: CR2025

Remote Control Setup:

- Pull plastic protection from battery compartment to activate remote control (see Fig.6).
- The floodlight is controlled by the IR remote control. Please ensure the remote control aims at the lamp when changing colours or modes.
- If the IR remote control becomes insensitive after a period of time or the control distance becomes much shorter please replace the battery (see Fig.7).

All buttons on remote control have a memory function; after setting the fixture will keep working on the mode it was set.

When adding more floodlights to the same circuit turn them on and off twice using the remote control and they will change synchronously (no matter what colour or mode the remote control is set before).

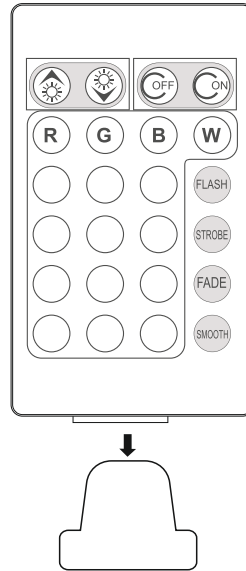


Fig.6

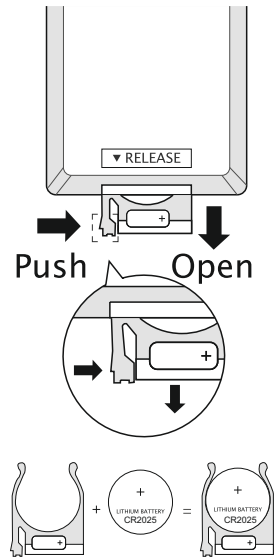
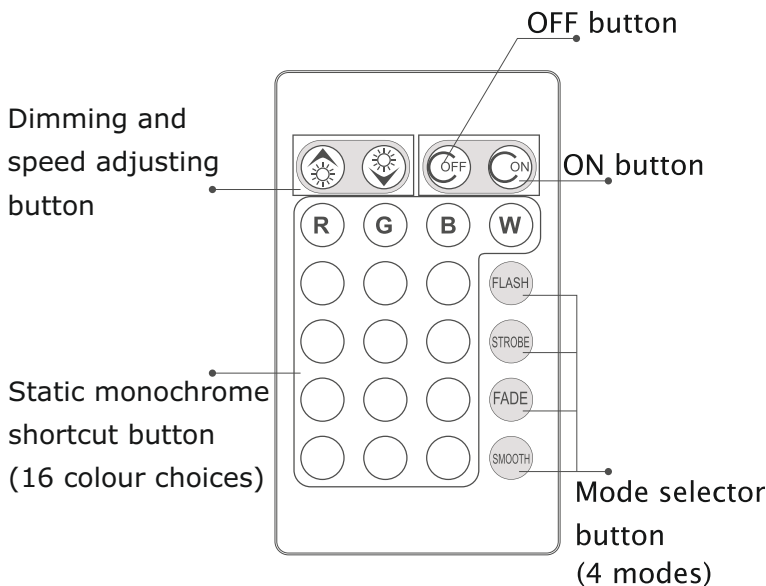


Fig.7

Remote Control Buttons:



- ON/OFF Button** - Switch the unit on or off.
- Dimming and Speed** - When in static monochrome mode use it to adjust the brightness; when the set mode is in FADE, STROBE, FLASH or SMOOTH it adjusts the speed
- Static Monochrome** - Use the buttons to directly select the desired colour (16 choices)
- FLASH** - Automatic change of colours (fast)
- STROBE** - Automatic jumping change of colours (slow)
- FADE** - Fast automatic change of colours with blending effect
- SMOOTH** - Slow automatic change of colours with blending effect