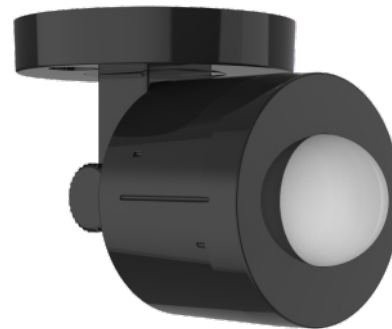


The new QUPIRB features an ergonomic design and enhanced detection range. When paired with a Quinetic controller, it enables automatic lighting control - turning the lamp on when it detects human presence and off when no presence is detected. The sensor includes adjustable settings for lux level, timing, and detection distance, and it boasts IP65 weatherproof protection, making it ideal for both indoor and outdoor use.

Its customizable PIR settings offer flexible and convenient control of lighting in various environments.



**QUPIRB**

## PIR Pairing & Keys Operation:

### 1. Activate Pairing Mode on the PIR Sensor:

Press and hold the pairing button on the PIR sensor for 3 seconds. The LED indicator on the sensor will begin to flash slowly (once per second). Release the button.

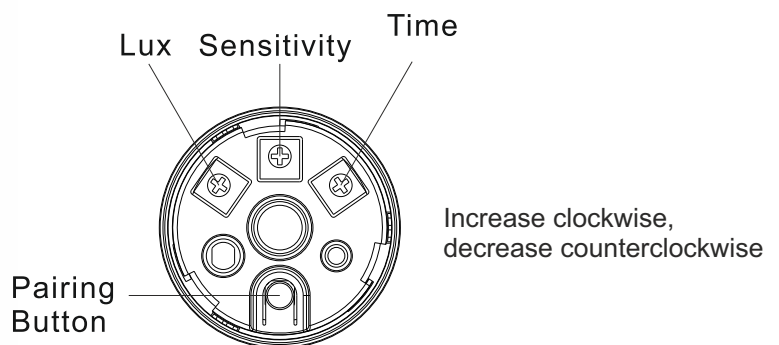
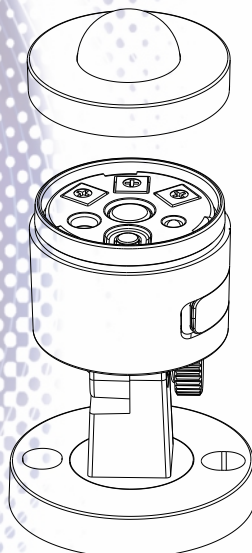
### 2. Activate Pairing Mode on the Controller:

Press and hold the pairing button on the controller for 3 seconds. The controller's indicator will start flashing slowly (once per second). Release the button to enter pairing mode.

### 3. Complete the Pairing:

Press the pairing button on the PIR sensor once. Wait for the controller's indicator to stop flashing, indicating that the pairing is successful.

Once paired, the system will automatically control the light—turning it on when a person is detected and off when the area is clear.



**Quinetic PIR Specifications:**

<b>Switch Type</b>	PIR Sensor
<b>Power Supply</b>	1 x CR2450 Battery (included)
<b>Battery Life</b>	Up to 3 years (Red LED indicator for low battery)
<b>Communicating Frequency</b>	RF 433Mhz
<b>Control Distance</b>	Up to 80m Outdoor, 30m Indoor
<b>Control Method</b>	Pairing with Quinetic controlling receiver
<b>Weatherproof Level</b>	IP65
<b>Sensitivity Range (adjustable)</b>	25%-100% (up to 8m detection distance)
<b>Lux Level (adjustable)</b>	10-3500lux
<b>Time Range (adjustable)</b>	3sec to 10min
<b>Operating Temperature</b>	-10°C ~ +45°C
<b>Working Humidity</b>	10% ~ 95%RH (No condensation)
<b>Detection Angle</b>	120°
<b>Installation Method</b>	Fixed bracket (adjustable installation angle)
<b>Bracket Installation Method</b>	Screw installation (included)
<b>Warranty</b>	3 Years (excluding battery)

**Dimensions:**
