

Quinetic Wireless Grid Switch

Compatible with Hager Grid Switch Plates

QUGDHG



Innovation of Wireless Kinetic Technology

The Quinetic wireless grid switch is compatible with Hager Sollysta grid system and can be installed into Hager grid plates. It can be used with the standard or with the dimming Quinetic receiving controller. It has a built-in micro energy generator - when the switch is pressed the kinetic system transforms the movement into energy. This transmits a signal to the receiver to turn the lamp or other load on or off.

No Wiring. No Battery. Easy Installation and Usage.

The grid switch can be used from a maximum 25m indoors. There is no longer a need to make holes or channel out for switch lines in the wall if you use the Quinetic wireless switch. The Quinetic switch is safe, convenient and extremely simple to install and use.

Collection of Micro Mechanical Energy

Micro energy acquisition (MEA) module constantly generates energy, thus eliminating the need for a battery or mains power supply.



Press switch to produce kinetic energy.



Internal module collects kinetic energy.



Kinetic energy is converted into electricity.



Communication module transmits signal.



Receiver controls the light.



Self Powered



No Radiation



No Maintenance



No Wiring



Durable



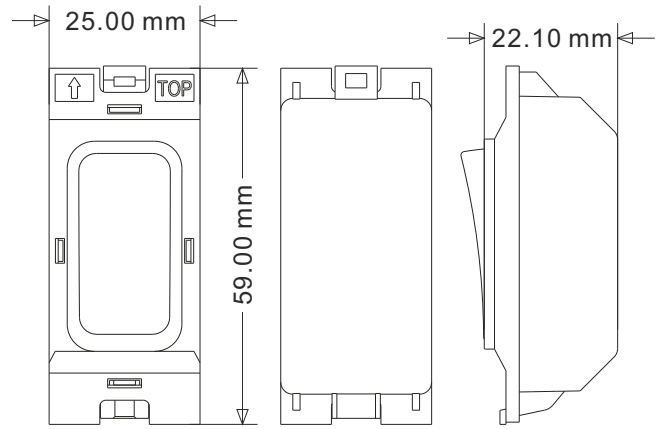
Cost Saving



Quinetic Wireless Switch Specifications:

- Work Type:** Push Button
- Power Source:** Micro Energy Acquisition and self-powered
- Communication Model:** FSK
- Work Frequency:** 433Hz
- Number of Keys:** 1 (1 gang)
- Life Time:** 100,000 times on/off
- Weight:** 25g
- Work Environment Temperature:** -20°C ~ 55°C
- Control Distance:** 30m (indoor)
- Control Method:** Pairing with Quinetic Wireless Controller
- Compatible with Hager Grid Switch Plates**
- 3 Year Warranty**

Dimensions:



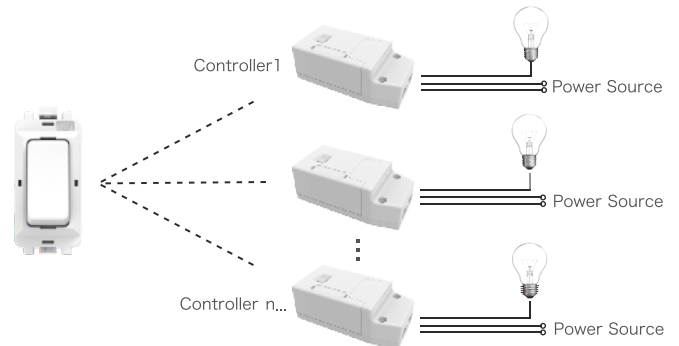
Quinetic Controller Wireless Systems

The wireless Quinetic grid switch and wireless receiving controller can be paired with any combination: a controller can be controlled by a maximum of 10 separate switches, a switch can pair an unlimited number of controllers.

1-Way Wireless System

Single-Multi-Control

Quinetic Wireless Switch

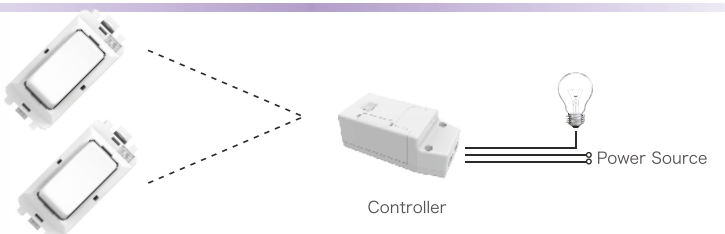


2-Way Wireless System

Dual Control

Quinetic Wireless Switch 1

Quinetic Wireless Switch 2



3-Way Wireless System

Multi-Single-Control

Quinetic Wireless Switch 1

Quinetic Wireless Switch 2

Quinetic Wireless Switch 10

