



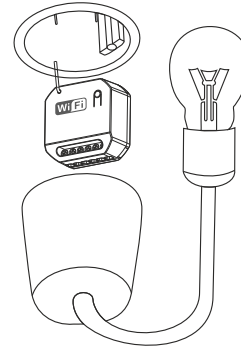
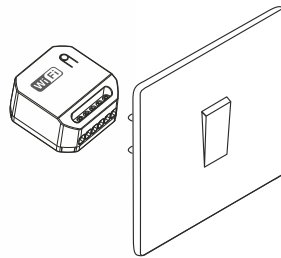
# QURWM3 - Quinetic 5A WiFi On/Off Mini Receiver



The Mini On/Off receiver has a 5A (500W LED) output and it works with traditional switches, creating a hybrid between your existing wired light switch (which can remain in use) and the ability to connect all the other Quinetic switches with it. Using the Kinetic Switch or Smartlife APP it can be voice controlled with scene and timing control.

The reduced dimensions allows it to be installed in places that other receivers cannot, in a ceiling, wall, behind an electrical switch (N required), etc. It can be paired with up to 10 wireless switches thus creating a wireless control system.

Amazon Alexa & Google Home compatible.



## High Capacity



With a 5A capacity output, you can switch ON/OFF your lighting system.

## Small Size



Only 44mm x 22mm, it is small enough to hide almost anywhere.

## Traditional Switch



By monitoring the input signal of a traditional switch, any traditional switch can be converted into a Quinetic wireless kinetic switch.

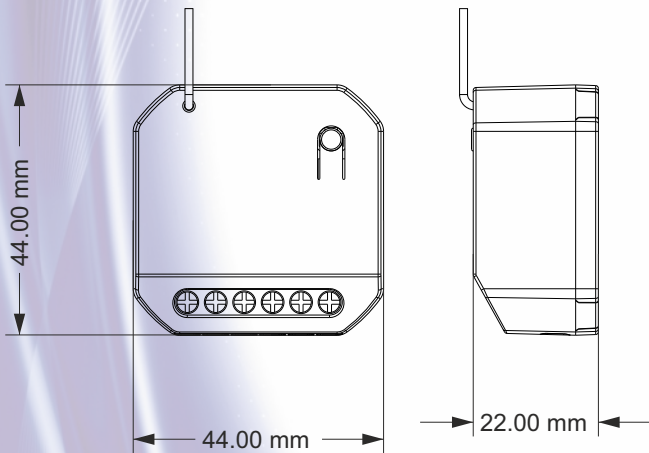
With the help of this ultra small size wireless receiver, a traditional switch can retain the original control method and does not affect the original layout.

After pairing one or more Quinetic switches to the receiver it is easy to achieve 2 way or multiple lighting control. One receiver can be paired with up to 10 wireless switches.

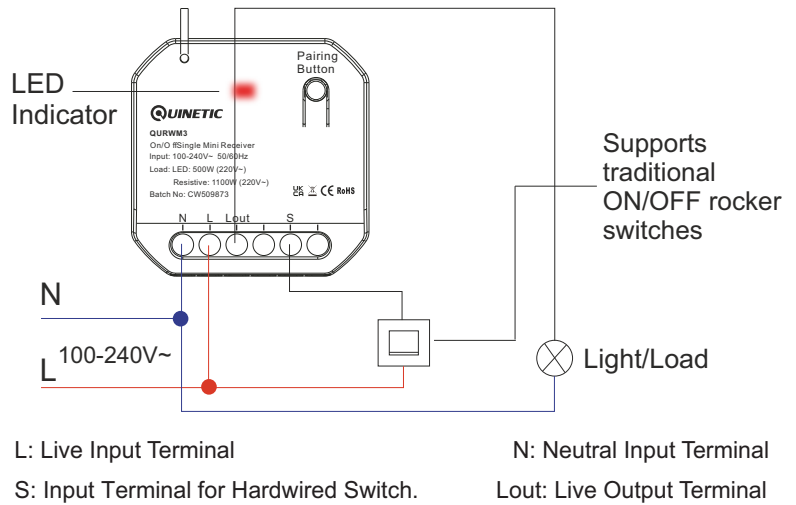




Dimensions:



Wiring Diagram & Terminals:



Technical Parameters

Product Model	QURWM3 - Quinetic WiFi On/Off Mini Wireless Receiver
Operating Voltage	AC 100V-240V 50/60Hz
Power Supply Mode	Live and neutral cables
Output	Single channel On/Off
Control Load	5A (500W LED & 1100W other loads maximum)
Protection Level	IP20
Communication Way	WiFi IEEE 802.11 b/g/n 2.4G & RF 433MHz
Application	Intelligent lighting control
Operating Distance*	80m (outdoors) / 25m (indoors)
ON/OFF Life	≥ 30000 times
Standby Power Consumption	<1W
Storage capacity	10pcs wireless Quinetic switch information
Installation Method	Mounted in the ceiling, wall, etc.
Wiring Method	Terminals
Product Size	L44 * W44 * H22mm
RF Receiving Sensitivity	-110dBm
Operating Temperature	-20°C ~ +55°C
Certifications/Standards	CE / ROHS / EN60669-1:2018 / EN IEC55015:2019

\*Distance comes from Quinetic laboratory test results. The actual distance in practical use might vary due to environmental difference.