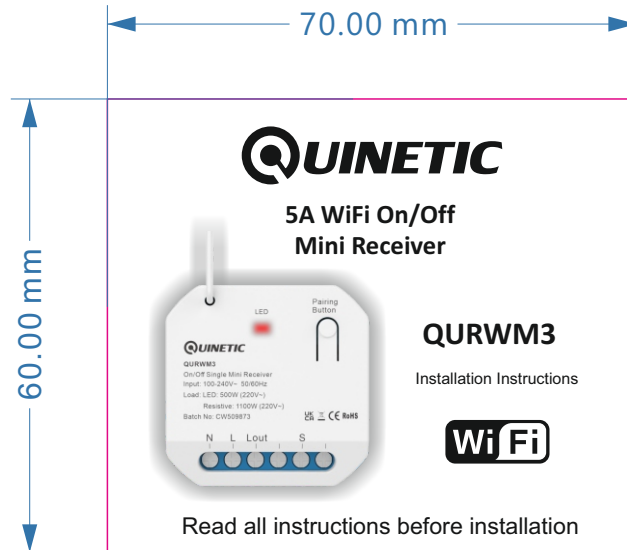


# QURWM3 - Quinetic WiFi On/Off Mini Receiver Instructions



## Product Description

The Quinetic WiFi Mini Receiver has a 5A capacity output and it works with traditional switches for dual or multiple control, allowing easy 2-way switching between traditional and Quinetic switches. It can be mounted in the ceiling, wall, electrical socket box. Using the Kinetic Switch APP it can be voice controlled with scene and timing control. Compatible with Amazon Alexa and Google Home.

## Specifications

Voltage range: AC 100-240V 50/60Hz  
 Power Supply Mode: Live and Neutral cables  
 Output: Single channel On/Off  
 Working environment temperature: -20°C + 55°C  
 Control distance\*: 80m outdoor, 25m indoor  
 Capacity: Up to 10 switches can be paired with one controller  
 Control method: WiFi through Device APP (search "Kinetic Switch" in store) and pairing with Quinetic Wireless Switch (see instructions)

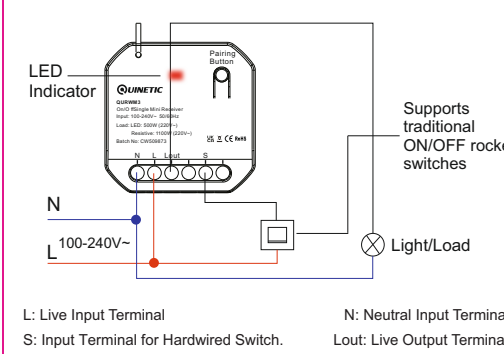
Communication Way: WiFi IEEE 802.11 b/g/n 2.4G & RF 433MHz  
 RF Receiving sensitivity: -110dBm  
 IP Rating: IP20  
 Standby Power Consumption: <1W  
 Control Load: 5.0A  
 Maximum Load: 500W LED & 1100W other loads\*\*  
 Certifications/Standards: CE / ROHS / EN60669-1:2018 / EN IEC55015:2019  
 Warranty: 3 Years

\*Distance comes from Quinetic laboratory test results. The actual distance in practical use might vary due to environmental difference.  
 \*\*Maximum load rating may vary depending on manufacturers specifications.

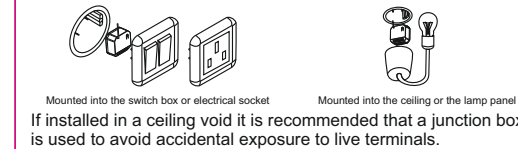
## Installation

1. Ensure that the power is turned off before installation.
2. The mini wireless receiver/controller line input should be connected using live and neutral cable from mains.

3. Output lines should be connected to load using cable rating suitable for 100-240V depending on voltage at site. (see diagram below).



## Installation Locations



## Kinetic Switch APP Download:

- The free Kinetic Switch App is required to operate your WiFi controller. Ensure your iOS / Android device is connected to the internet using a Wi-Fi network.
- Method 1:**
1. Open the App store/Google Play on your phone.
  2. Search for "Kinetic Switch" in the App store or Google Play.
  3. Download the Kinetic Switch App to your phone.



## Method 2:

Or you can download the app using the QR code below:

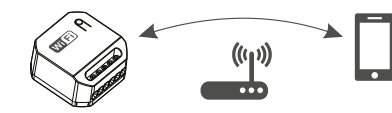


## Device Pairing with the APP:

The initial setup must be performed using your 2.4Ghz Wi-Fi network (5Ghz WiFi is not supported). Both the phone and the controller must connect to your network.

1. After downloading the APP follow the prompts to register the account.
2. Connect power to the controller and the red indicator light will start flashing quickly.  
 Note: If the light flashes differently or if you want to **reset the controller** press the pairing button for 10 seconds - the light will change from slow flashing to fast flashing to still. Release the button. The indicator light will start flashing quickly now.

3. Open the "My Home" page of the Kinetic Switch App, and click "+" on the upper right of the page.
4. Click "Light Control", select "On/Off Single Mini receiver", follow the instructions to operate it.
5. After successfully adding the receiver to the APP you can find the device in the "My Home" list. Lights can be controlled through the App from wherever in the world and smart scenes can be set.



## Pairing with the APP in AP Mode:

The default configuration mode of the controller is EZ mode (the light flashes quickly, twice per second).  
**When pairing is not successful in EZ mode, you can pair the device to the APP using the AP mode.**

- The steps to switch to AP mode are as follows:
1. Press the pairing button 4 times in 1 second while in EZ mode.
  2. Wait for 5 seconds and the controller will switch to AP mode.
  3. In AP mode the light will flash slowly, turning on and off once every two seconds.
  4. Once the AP mode is activated on the controller open the "My Home" page of the Kinetic Switch App, and click "+" on the upper right of the page. Click "Light Control", select "On/Off Single Mini receiver".
  5. On the next page tap "EZ Mode" on the upper right corner and select "AP Mode" from the drop down list. Follow the APP instructions to pair and operate the receiver. To switch from AP mode back to EZ mode, press and hold the button. The indicator light will flash quickly then stay on for a short period. Release the button and it will be in EZ mode.

## Using Amazon Alexa/Google Home to control your Mini WiFi Controller

Note: We would recommend naming the devices in your Kinetic Switch App something that is easy for Alexa or Google Home to understand. In order to integrate the Kinetic Switch app with Amazon Alexa/Google Home you need (see next page):

- 1) Amazon Alexa APP / Google Home APP
- 2) Amazon Alexa / Google Home account (users need to register their own account)
- 3) Echo, Echo Dot, Tap or other Amazon voice-operated devices.
- 4) Google Home, Google Home Mini or other Google voice-operated devices.

## Enable Smart Life skill/action in your Alexa / Google Home APP

Search for "Smart Life" skill and add it to the Alexa APP "Smart Home" skills. For Google Home search for "Smart Life" action and add it to Home Control. Enable the skill/action in your Alexa / Google APP and input the name and password used to register the Kinetic switch APP to link it with Alexa/Google APP. Voice control can be used now to control the Wifi device such as: "Alexa/Ok Google, turn on/off [kitchen light]" "Alexa/Ok Google, turn on/off [heater]"

## Pairing with Wireless Quinetic Switches:

Quinetic WiFi Smart On/Off mini receiving controller and Quinetic wireless switches can be paired with any combination:

- A receiver can be operated by a maximum of 10 separate switches per channel
- A switch can pair with an unlimited number of receivers.

## Bridging Mode:

The range of a switch may also be extended by using a second receiver and putting it into "**Bridging Mode**". In order to extend the distance, the second receiving controller must be paired with the switch and located between the switch and the receiver that is out of range.

The Bridging Mode can be enabled on the second controller by following the pairing steps below (Physical Pairing Steps No.6). Once the second controller is in Bridging Mode and paired with the switch it will forward the signal from the switch to the controller situated outside of controlling range.

## App Pairing Method

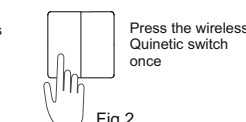
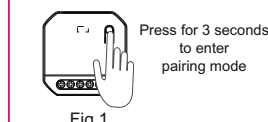
Enter the App page, click "Pairing" -> "Start Pairing". After the App page displays "waiting for pairing", press the corresponding button of the wireless Quinetic switch that needs to be paired. This will complete the pairing. The App will prompt "Pairing succeeded" after the pairing is completed.

## Traditional Hardwired Switch Pairing Method

After the receiver is powered on (within 2 minutes), press the hardwired switch for 5 times (within 2 seconds). The light will start flashing, indicating pairing mode. At this time, press the wireless kinetic switch once and the light will stop flashing. The pairing is now completed. If the receiver is powered on for more than 2 minutes it cannot enter the pairing mode through traditional switch.

## Physical Quinetic Wireless Switch Pairing Method

1. Press the function button for 3 seconds and the indicator light begins to flash slowly. Release the button to enter the single pairing state. (Fig.1)
2. Press the wireless kinetic energy switch and the indicator light of the controller will go out, which means that the pairing is successful. (Fig.2)
3. Pressing the switch quickly will turn the light ON/OFF.



4. If you need to add more switches to the same controller please repeat the above process; each controller can store up to 10 switches, pairing in formation.
5. Single, dual and triple gang switches follow the same method.
6. In order to extend the range of a switch using the "**Bridging Mode**" on the controller, press the function button for 7 seconds until the red LED light changes from slow to fast flashing and release the button. The red LED will start flashing once every 2 seconds to indicate the successful bridging.
7. To disable the bridge mode, repeat the above steps.
8. If the controller indicator light continues to pulse the controller will still function normally even if used with a Quinetic switch.
9. To **clear the controller stored pairing information** press function button for 15 seconds until the indicator light goes out - the pairing information will be deleted.

## WiFi Pairing Reset Procedure:

To reset the controller's WiFi pairing with the APP press function button for ~7 seconds until the indicator light changes from flashing to still and release the button. The indicator light will enter fast flashing mode and the device will be removed from the APP and reset.

## Directional Pairing Method (2/4 gang switches only):

Directional Pairing method allows the 2 or 4 gang switches to act as a group: short press on the left button is OFF and short press on the right button is ON.

## APP Method

Enter the APP page and click "Pairing" -> "Start Pairing". After the APP page displays "Waiting for pairing" press any gang on the wireless kinetic switch 4 times within 1 second to complete the pairing. After the pairing is completed, the APP will display "Pairing Successful".

## Controller Pairing Button Method

Press the function button for 3 seconds and the indicator light begins to flash slowly. Release the button to enter the single pairing state. press any gang on the wireless kinetic switch 4 times within 1 second, the indicator light will go off to complete the pairing.

## Traditional Hardwired Switch Method

After the receiver is powered on (within 2 minutes), press the hardwired switch for 5 times (within 2 seconds). The light will start flashing, indicating pairing mode. At this time, press the wireless kinetic switch 4 times within 1 second and the light will stop flashing. The pairing is now completed.

## Power-On State Setting Change

The default power-on state of the controller is set to off. This can be changed using the APP: enter the receiver APP page, tap "Setting" at the bottom and select "Relay Status". The state can be changed to "OFF", "ON" and "Remember last status". Enabling "Remember last status" will restore the controller to its previous state upon powering on.

## Inching (Pulse) Function Setting:

When Inching function is enabled, the device will be programmed to turn off automatically after a set period, no matter if you turn it on by voice, in app, by physical button, with schedules or scenes. After adding a device in the App, click the timer button at the bottom left corner, select "Inching" then touch the toggle switch button on the right to set the delay off time.  
 Note: Inching (Pulse) function will affect the "Remember Last Status" power-off function. If the device was previously switched on before a power cut, upon power restoration the device may appear to turn on briefly before turning off.

## Precautions:

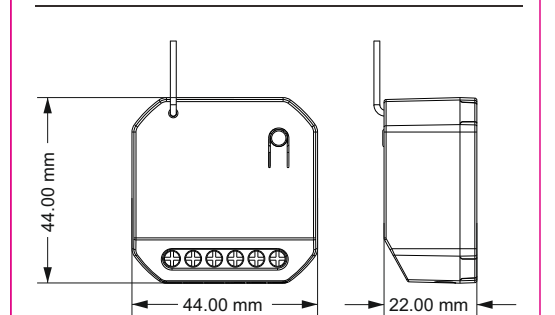
1. The wiring must be done in accordance with the method of installation illustrated.

2. Please note the maximum load of an individual controller. Exceeding this maximum will result in damaging the controller.
3. The controller has a non-replaceable internal fuse.
4. Do not short-circuit, it will cause permanent damage to the receiving controller.
5. Damage caused by incorrect installation and operation are not covered under warranty.
6. The controller will remain "OFF" after a power cut, saving energy, reducing fire risk and protecting your appliances. The power-on state of the receiver can be changed through the APP.

## Troubleshooting:

1. If pairing does not work first check if the indicator is lit. Re-pair in case the pairing is lost after power failure.
2. If the receiver does not respond check the LED indicator. If this does not light check the power supply.
3. WiFi internet pairing fails: confirm the light is flashing quickly (twice per second). If not, please set the light to flash quickly according to connect WiFi method. The router, controller and phone should be as close as possible (within 5 metres).
4. The receiver is offline in APP: Router connections might reach the upper limit. Some routers allow a maximum of 15 devices. In this case please upgrade the router and/or close any devices which are not needed.

## Dimensions:



For more information about phone APP pairing, instructions and troubleshoot please visit [www.tlc-direct.co.uk](http://www.tlc-direct.co.uk) website.