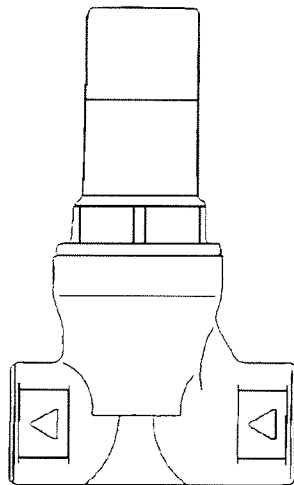
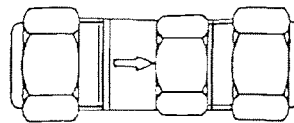


Unvented Water Heater (10 and 15 litres)

NLCWC Cold Water Controls Pack Additional Information



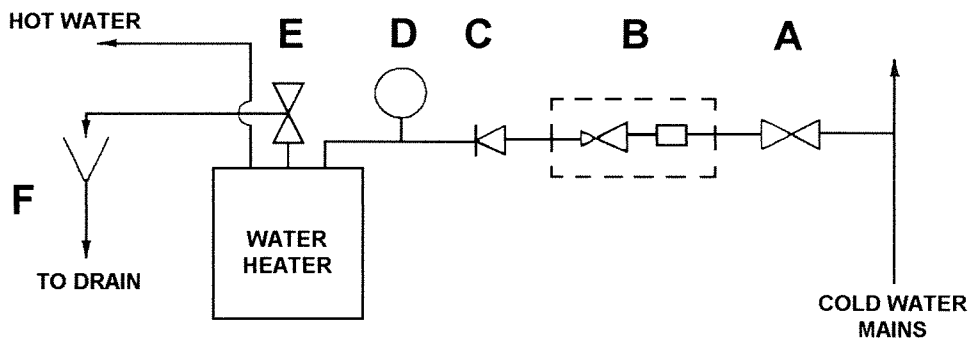
**PRESSURE REDUCING VALVE /
LINE STRAINER**



CHECK VALVE

The *COMBINATION VALVE* has been replaced by two new valves as shown above. The *LINE STRAINER* is now combined with the *PRESSURE REDUCER* with the *CHECK VALVE* supplied separately.

The new installation diagram is shown below:-



	Cat. Number
A. Service Valve	93-793710
B. Combined Valve Incorporating Pressure Reducer and Line Strainer	97-783252
C. Check Valve	97-783251
D. Expansion Vessel	97-783206
E. Temperature / Pressure Relief Valve	97-783204
F. Tundish	97-783236

WARNING

Make sure that the direction of water flow corresponds with the arrows on the fittings