



S&P Part Name:
Inter 3P

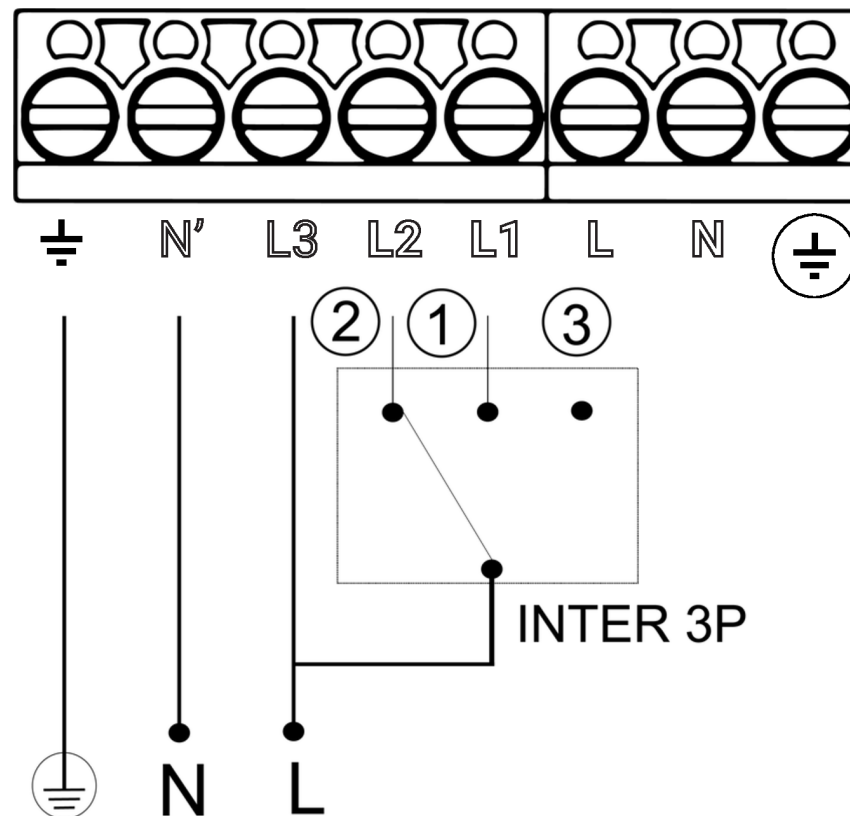
S&P Part Number:
5401321700

Dimensions:
Height: 86mm
Length: 86mm
Depth: 60.4mm
Weight: 0.185kg

Features:

- 3 Speed Switch (Cable Connection)
- Optional wired accessory to suit S&P Ventilations' OZEO-E ECOWATT 2 whole house (MEV) extract fan.
- Offering localised 3-speed control of continuous extraction.
- Wall Mounted

Wiring Diagram 3 speed switch (option)



After installing and connecting the unit, adjust the airflow per set point to the desired values, by turning the potentiometers(OZEO E ECOWATT 2). This is very important, to make sure the right amount of air is extracted, also the unit does not produce more noise than necessary.