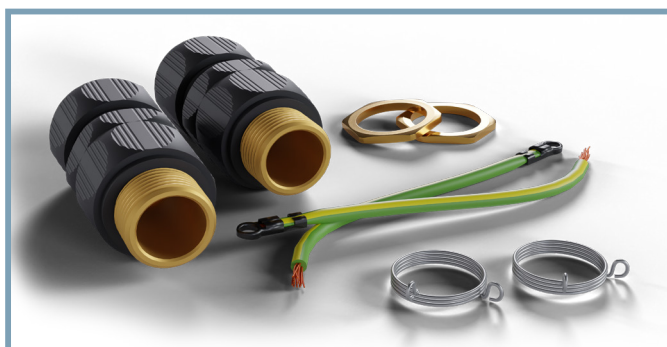
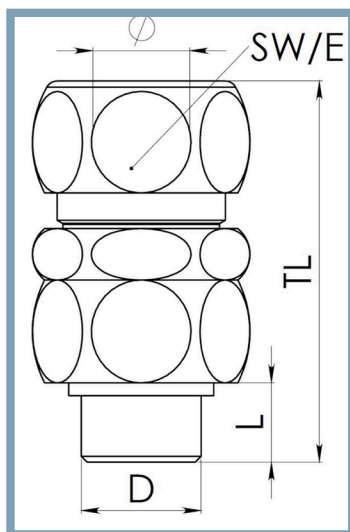


ShieldGLAND Pro - Product Data Sheet



VIEW VIDEO

- 

IP68
IP68 Protection
- 

PA
Polyamide Gland
- 

Suitable for Armoured
- 

No Shroud Required
- 

SY/CY
Suitable for SY/CY
- 

M20S, M20L, M25 & M32

ShieldGLAND
by WISKA

Benefits

The WISKA ShieldGLAND has been designed to replace a CW gland, making it easier to install and giving greater clamping and protection over standard glands. The special gasket supplied enables additional clamping on cable sizes and the unique cone can be placed differently for either use with SWA or CY/SY cables. In addition to this the outer protection on the gland used to replace the shroud is LSF/LSOH, with an IP68 ingress protection.

Earthing

The ShieldGLAND is also supplied with a special earth spring with earth wire, which enables significant time savings on installation, in comparison to standard earth tags, whilst giving excellent earthing.

Features

- Superior protection over a standard CW gland, IP68 rather than IP66.
- Plastic outer body eliminates the need for a shroud, saving time and improving ease of installation.
- LSF/LSOH outer body.
- UV Stabilised, Zero halogen
- Comes with unique earth spring to speed up installation.
- Can be used with SY, CY and un-armoured cable as well as SWA. Special cone supplied!
- Unique two part insert allows a wider range of cable acceptance.
- Better aesthetic after final installation compared to a CW gland.
- Designed to work with COMBI junction boxes and earthing accessories.

Code	Colour	Item Description	Packaging Unit	EAN Number	TSI Code	Weight (KG)
10112394		ShieldGLAND M20S Pro Pack IP68 c/w Brass Locknut & E-Spring, Clamping range 7-16mm (2 per pack)	2	5056481900297		0.184
10112395		ShieldGLAND M20L Pro Pack IP68 c/w Brass Locknut & E-Spring, Clamping range 12-21mm (2 per pack)	2	5056481900303		0.235
10112396		ShieldGLAND M25 Pro Pack IP68 c/w Brass Locknut & E-Spring, Clamping range 17-28mm (2 per pack)	2	5056481900310		0.371
10112397		ShieldGLAND M32 Pro Pack IP68 c/w Brass Locknut & E-Spring, Clamping range 24-36mm (2 per pack)	2	5056481900327		0.538

DOWNLOAD Brochure HERE

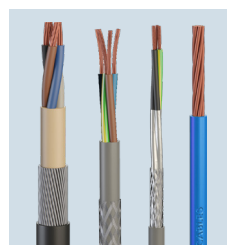
Technical Information

Material Sealing Gasket	TPE
Temperature Range (Minimum)	- 40°C
Temperature Range (Maximum)	120°C
Protection Class	IP68 (5 bar min)
Thread Type	Metric
Testing (In Accordance)	EN 6244



The Insert

The ShieldGLAND's **unique adaptable insert** allows a wider range of cable acceptance due to its two part sealing gasket. Simply leave as is or remove inner sealing insert depending on your cable requirement.



Flexible Design to Suit Your Needs.

Thanks to its flexible design the ShieldGLAND can be used with armoured, SY, CY and non-armoured cables.

The ShieldGLAND's versatile clamping olive can simply be switched to take either armoured or SY, CY making installation quick and easy.

Code	Item Description	Entry Thread	Key Width (SW)	Collar Dia. (E)	Total Length (TL)	Connection Thread (L)	Min Max Cable Dia.	Inner Cable Shield	Min Max Braided	Min Max Armour
10112394	ShieldGLAND M20S Pro	M20 x 1.5	27	30	57 - 63	11	7 - 16	12	0.1 - 1.0	0.8 - 1.25
10112395	ShieldGLAND M20L Pro	M20 x 1.5	32	36	57 - 63	11	12 - 21	16	0.1 - 1.0	0.8 - 1.25
10112396	ShieldGLAND M25 Pro	M25 x 1.5	41	46	61 - 68	13	17 - 28	20.5	0.1 - 1.2	1.2 - 1.6
10112397	ShieldGLAND M32 Pro	M32 x 1.5	50	56	66 - 74	13	24 - 36	27.5	0.1 - 1.8	1.6 - 2.0



Earthing Springs - E-SPRING

The WISKA earthing spring is included in the Pro Pack. It is designed from Stainless steel, to enable good earth continuity. The springs are supplied with earth wire and nuts for easy fixing. The spring simply fits over the cable gland and is secure.

VIEW VIDEO



E-Spring

Introducing the E-Spring by WISKA.

A simple, quick and secure solution for earth continuity of SWA cable with BW/CW cable glands. Single earth solution made of stainless steel available in M20 and M25 sizes.

Simply pinch the eyelets to widen the E-Spring, place over the thread of the gland and release the eyelets to tighten.

Type	Colour	Size
E-Spring M20	Steel	1 x M20
E-Spring M25	Steel	1 x M25
E-Spring M32	Steel	1 x M32

WISKA UK Ltd

Unit 7 Hurling Way
St Columb Major Business Park
St Columb Major, Cornwall
TR9 6SX

☎ +44-(0)1208 816062

☎ +44-(0)1208 816708

info@wiska.co.uk

www.wiska.co.uk

www.wiskaonline.co.uk