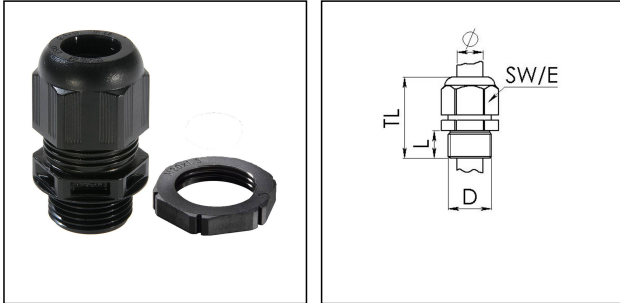


**GLP40 black**



Products may differ in size, colour and appearance to those shown. If you require further information or customisation, please contact us directly.



|                                 |   |
|---------------------------------|---|
| <b>Material cable gland</b>     | Polyamide                                     |
| <b>Material sealing gasket</b>  | EPDM  |
| <b>Protection class</b>         | IP69, IP68 (5 bar 30 min)                     |
| <b>Temp. range min</b>          | -40 °C  |
| <b>Temp. range max</b>          | 100 °C  |
| <b>Glow wire test</b>           | 750 °C  |
| <b>Thread type</b>              | M   |
| <b>Ø Connection thread D</b>    | 40  |
| <b>Lead</b>                     | 1,5   |
| <b>Length screw-in thread L</b> | 12 mm   |
| <b>Ø cable diameter min</b>     | 16 mm   |
| <b>Ø cable diameter max</b>     | 28 mm   |
| <b>Key width SW</b>             | 46 mm   |
| <b>Collar diameter (E)</b>      | 51 mm   |
| <b>Total length TL</b>          | 52 mm - 65 mm                                 |
| <b>Type of cable anchorage</b>  | A   |
| <b>Install. torques fitting</b> | 20 N/m  |
| <b>Install. torques cap nut</b> | 20 N/m  |
| <b>Impact category</b>          | 4   |
| <b>Equipment</b>                | incl. locknut, Incl. connection thread gasket |
| <b>Product Color</b>            | RAL 9005                                      |
| <b>Type</b>                     | GLP40 black                                   |
| <b>UK-Number</b>                | 99711   |
| <b>WISKA-Order no.</b>          | 10106660                                      |
| <b>Packing unit</b>             | 5   |

Your Contact:

WISKA UK Ltd.

Unit 7, Hurling Way · St. Columb Major Business Park · TR9 6SX, St. Columb Major, Cornwall · Great Britain

☎ +44-12-08816062 · 📠 +44-12-08816708

info@wiska.co.uk · www.wiska.co.uk



|                            |               |
|----------------------------|---------------|
| <b>Tariff number</b>       | 39269097      |
| <b>EAN number</b>          | 4007686025354 |
| <b>ETIM-Classification</b> | EC000441      |

29.01.2025

Your Contact:

**WISKA UK Ltd.**

Unit 7, Hurling Way · St. Columb Major Business Park · TR9 6SX, St. Columb Major, Cornwall · Great Britain

 +44-12-08816062 ·  +44-12-08816708

info@wiska.co.uk · www.wiska.co.uk



Your Contact:

**WISKA UK Ltd.**

Unit 7, Hurling Way · St. Columb Major Business Park · TR9 6SX, St. Columb Major, Cornwall · Great Britain

☎ +44-12-08816062 · 📠 +44-12-08816708

info@wiska.co.uk · www.wiska.co.uk